

DAMMON
ENGINEERING, INC.
CHIEF ENGINEER
EMMETT
DAMMON, P.E.

1095 FLORIDA AVENUE
SLIDELL, LA. 70458
OFFICE: 985-649-5632
FAX: 985-641-5950

WEBSITE:
WWW.DAMMONENGINEERING.COM
EMAIL:
DAMMONENG@BLSOUTH.LIT

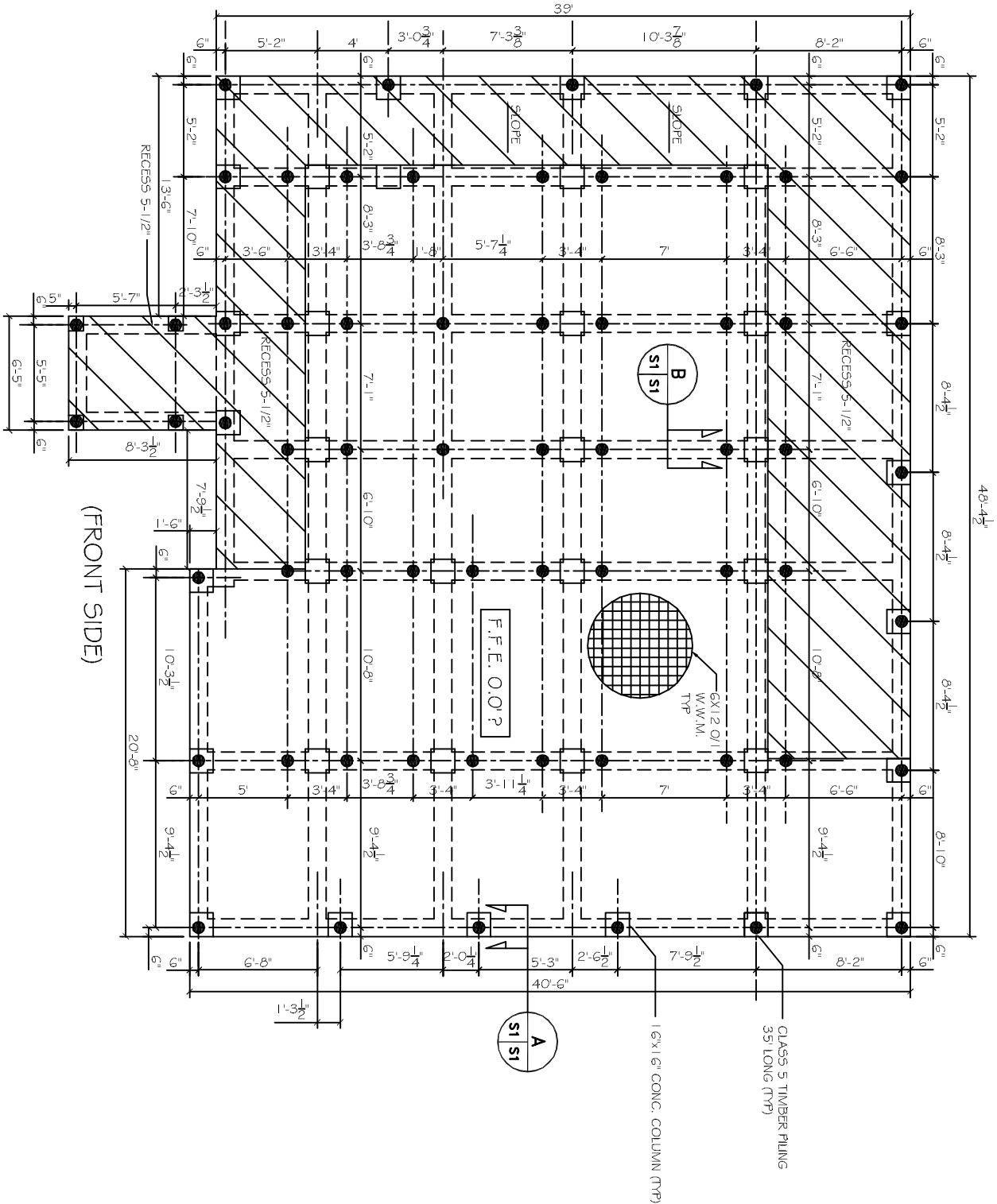
ARCHITECTURE
ENGINEERING
STUDIES
PLANNING
INVESTIGATION
EXPERT WITNESS

RICCA
RESIDENCE

LOT 28A
BAYOU
BONFOUCA EST.
SLIDELL
LOUISIANA

FOUNDATION
PLAN

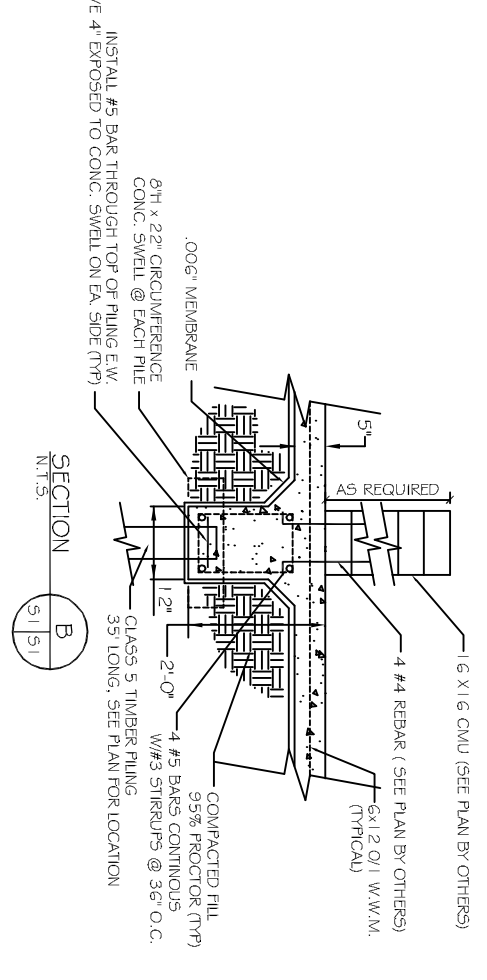
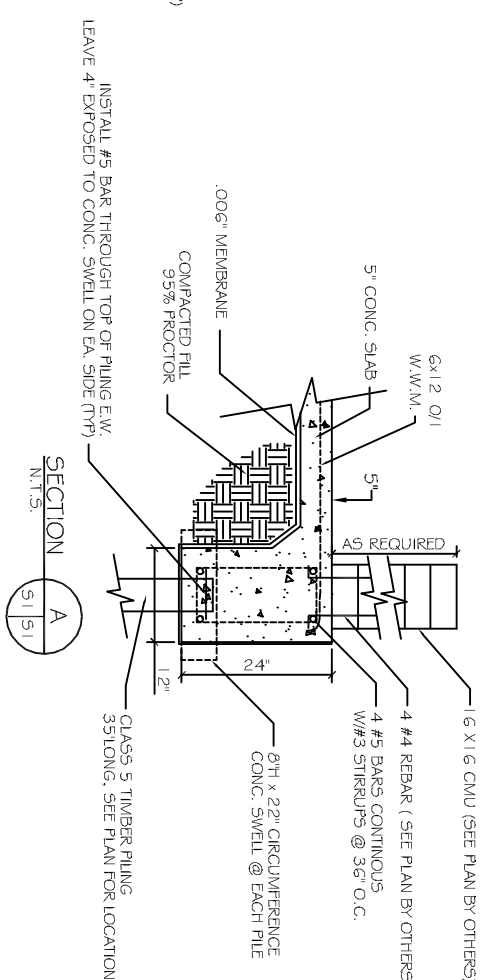
OF 1



FOUNDATION PLAN
SCALE: 1/4" = 1'-0"

NOTES:

1. CONTRACTOR SHALL FIELD VERIFY ALL DIMENSIONS, DEPRESSIONS PRIOR TO COMMENCING WORK.
2. DIRT SHALL BE INSTALLED IN 6" LIFTS AND COMPACTED TO 95% PROCTOR.
3. TREAT SOIL BELOW SLAB FOR TERMITES.
4. CONCRETE MIX SHALL BE 3000 PSI, MINIMUM.



PILING NOTES:

1. PILES SHALL BE TREATED TIMBER ASTM D25 QUANTITY, CLASS 5 35' WITH 6" TIP AND 8" BUTT NORMAL TAPER TO BUTT.
2. CAPACITY SHALL BE 3.03 TONS EACH, DRIVEN TO 25 FT OR TO REFUSAL BELOW NATURAL GRADE.
3. TOTAL OF 62 PILING.

S-1