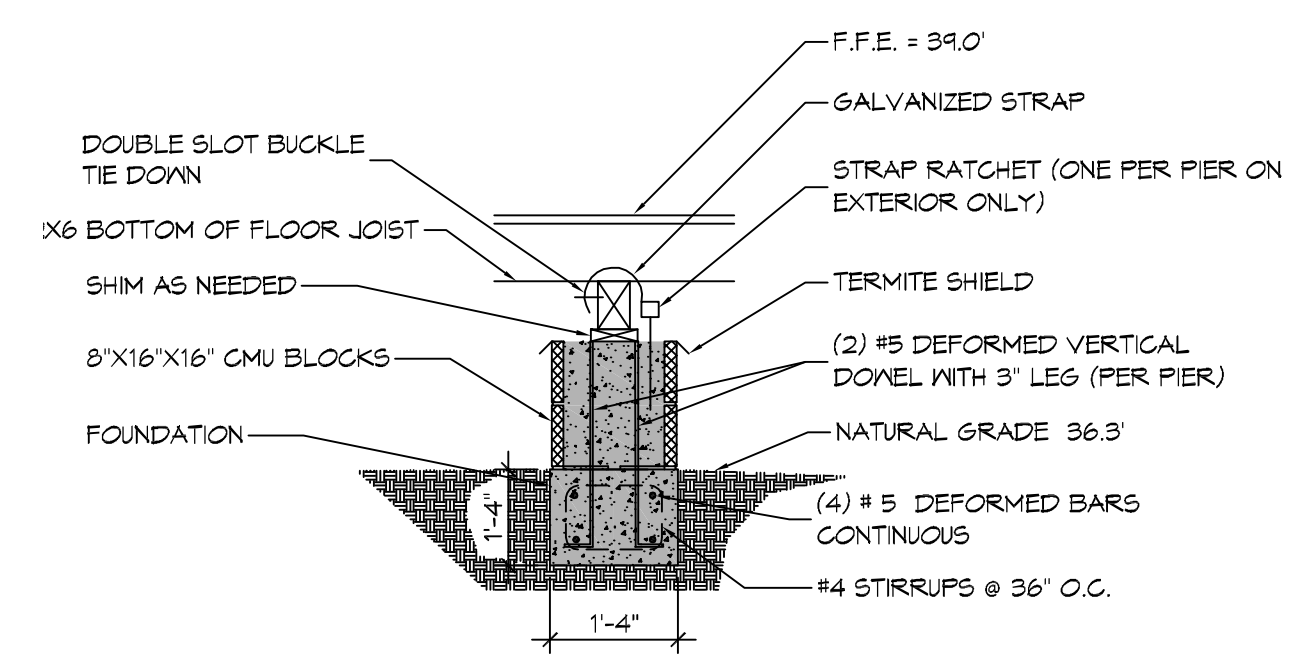


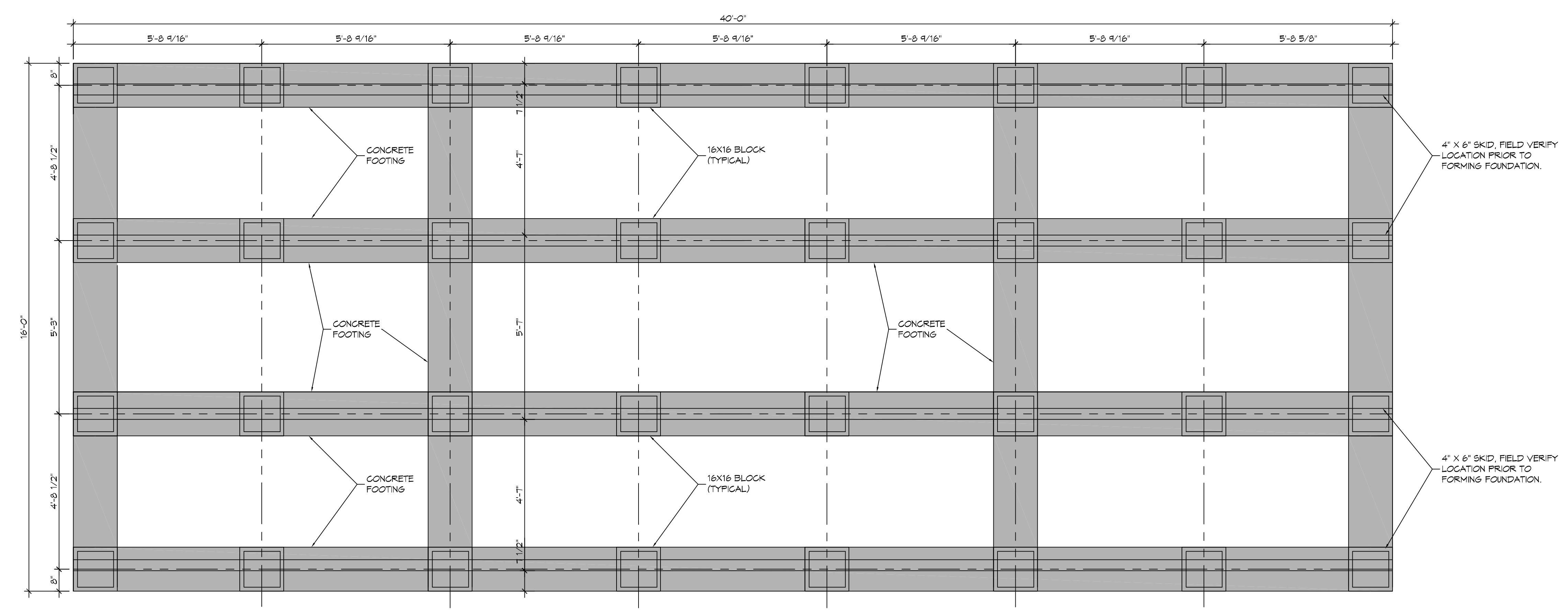
FILE NAME: J:\Foundations of Structures\04\Mark Couch\041011-Foundations\041011-Foundations.dwg, PLOT DATE: 8/26/2020, September 11, 2020 10:27:40 AM

GENERAL FOUNDATION NOTES

1. THE CONTRACTOR SHALL VERIFY ALL BEAM BEAM LOCATIONS PRIOR TO INSTALLING PADS AND BLOCKS AND INSTALL ACCORDINGLY.
2. ALL SOIL BELOW SHALL RECEIVE TERMITE TREATMENT.



FOUNDATION SECTION
SCALE: 1/2" = 1'-0"



FOUNDATION PLAN
SCALE: 1/2" = 1'-0"

FOUNDATION PLAN

DAMMON ENGINEERING, INC.
LOUISIANA & MISSISSIPPI
www.dammonengineering.com
info@dammonengineering.com
Chief Engineer: Brian Misch, PE
554 Old Spanish Trail
Slidell, LA 70458
PH: 985.649.5832 F: 985.641.9950

#	DESCRIPTION	DATE

--	--

MARK COUCH

28010 BURVAULT STREET
ABITA SPRINGS, LA 70420
JOB No: 2020 DATE: 08-24-2020
DRAWN BY: CKD CHECKED BY: BAM

SHEET TITLE:
FOUNDATION PLAN

DRAWING NUMBER:

S101