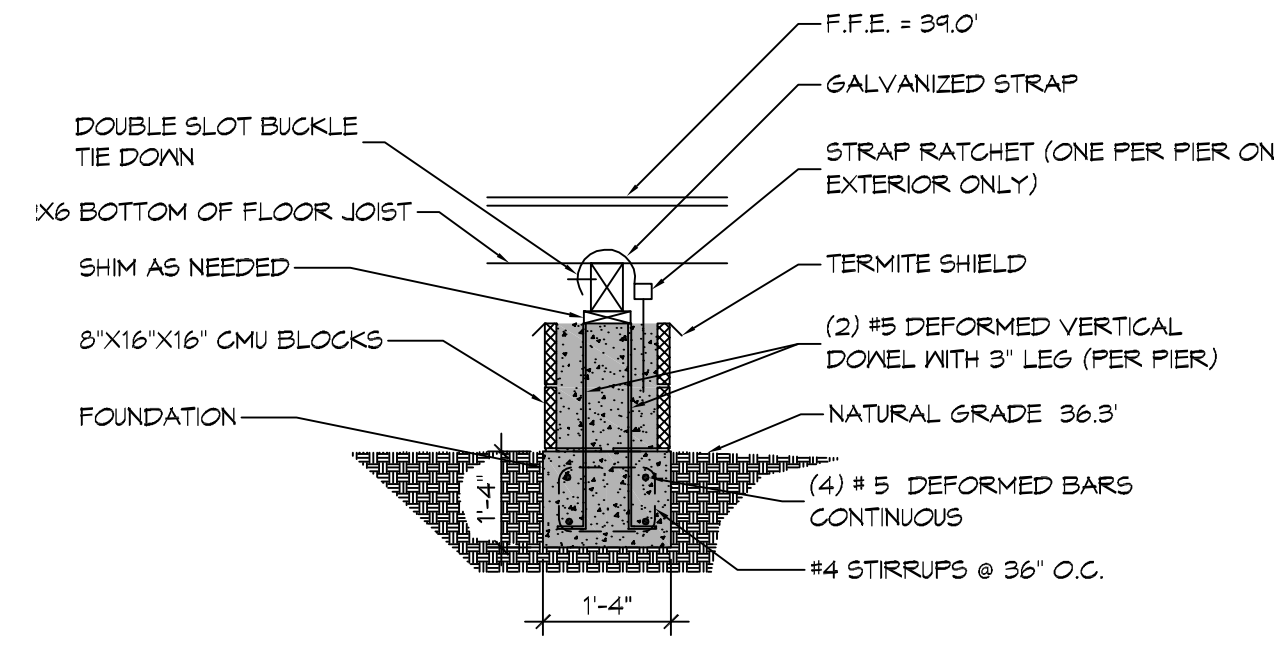


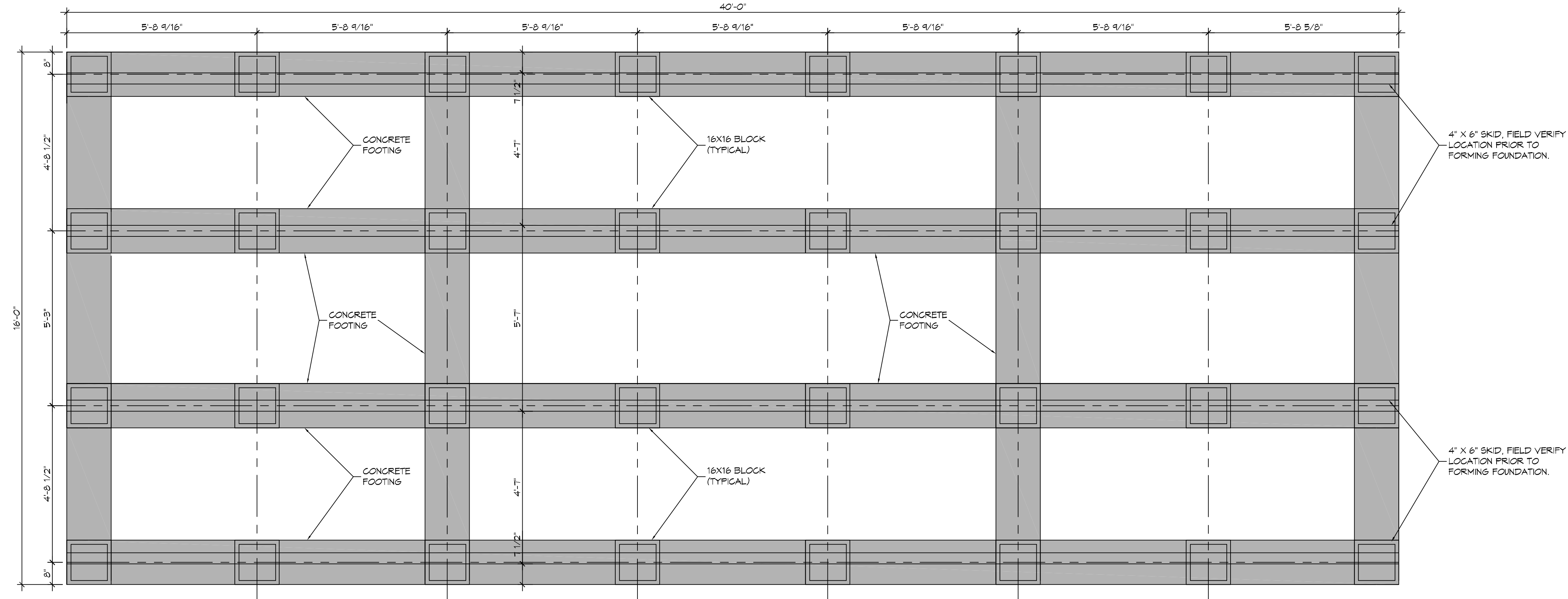
FILE NAME: J:\\_Foundation of Structural Design\3151-Foundations\3151-Foundations.dwg DATE: 08/08/2020 10:05:46 AM

**GENERAL FOUNDATION NOTES**

1. THE CONTRACTOR SHALL VERIFY ALL BEAM BEAM LOCATIONS PRIOR TO INSTALLING PADS AND BLOCKS AND INSTALL ACCORDINGLY.
2. ALL SOIL BELOW SHALL RECEIVE TERMITE TREATMENT.



**FOUNDATION SECTION**  
SCALE: 1/2" = 1'-0"



**FOUNDATION PLAN**  
SCALE: 1/2" = 1'-0"

FOUNDATION PLAN

**DAMMON ENGINEERING, INC.**  
LOUISIANA & MISSISSIPPI  
www.dammonengineering.com  
info@dammonengineering.com  
Chief Engineer: Brian Mistich, PE  
554 Old Spanish Trail  
Slidell, LA 70458  
PH: 985.649.5832 F: 985.641.9950

REVISIONS	DATE
# DESCRIPTION	



**M A R K C O U C H**

28010 BURVAULT STREET  
ABITA SPRINGS, LA 70420  
JOB No: 2020 DATE: 08-09-2020  
DRAWN BY: CKD CHECKED BY: BAM

SHEET TITLE:  
**FOUNDATION PLAN**

DRAWING NUMBER:

**S101**