

ALL WORK SHALL BE IN ACCORDANCE WITH THE LATEST EDITIONS OF THE INTERNATIONAL RESIDENTIAL CODE (IRC) 2021 EDITION AS WELL AS THE INTERNATIONAL FOUNDATION CODE (IFC) 2021 EDITION.

DESIGN CRITERIA

THE CONSTRUCTION FOR SAID RESIDENCE, WHERE BASIC WIND SPEED IS 150 MILES PER HOUR, WIND EXPOSURE ZONE D, IS DESIGNED IN ACCORDANCE WITH: AMERICAN FOREST AND PAPER ASSOCIATION (AF&PA) WOOD FRAME CONSTRUCTION MANUAL FOR ONE AND TWO FAMILY DWELLINGS (WFCM) 2001 EDITION AS WELL AS THE INTERNATIONAL RESIDENTIAL CODE (IRC) 2021 EDITION

PILING COUNT

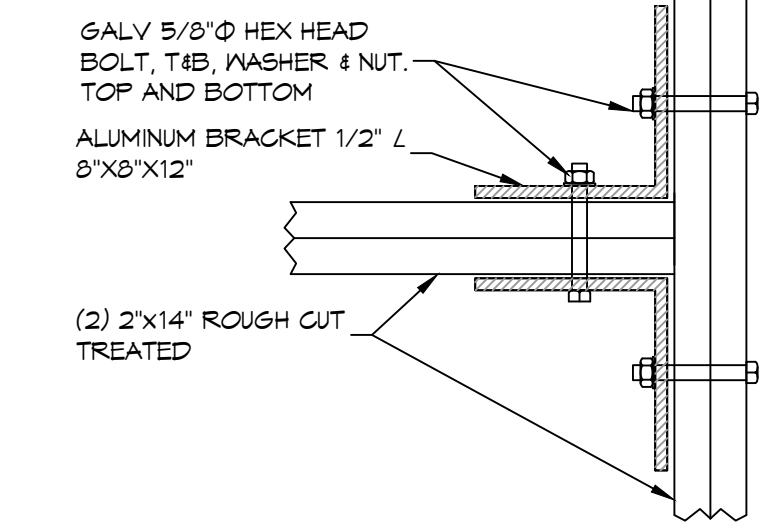
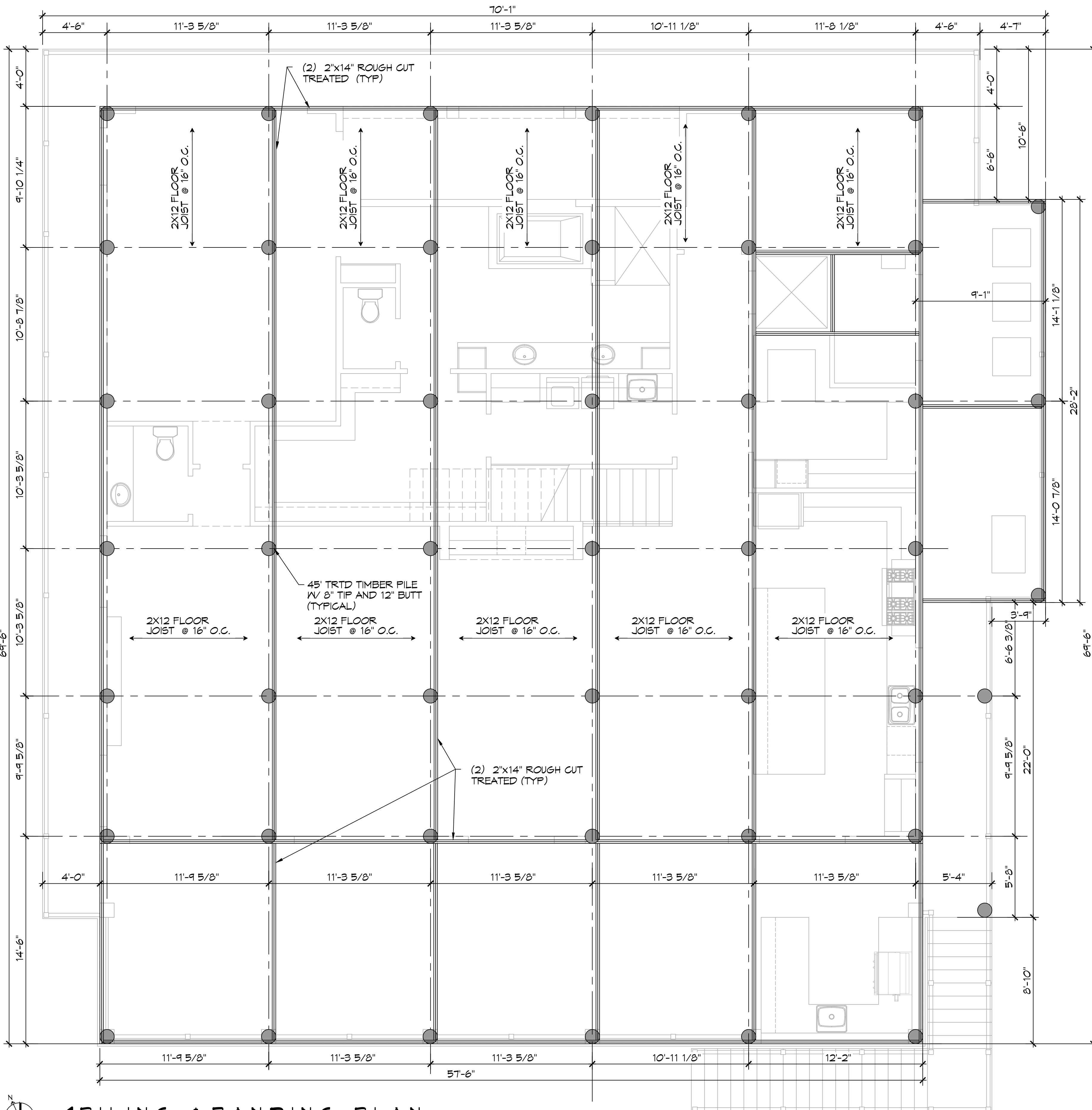
47 PILING COUNT

PILING NOTES

1. PILES ARE TO BE 45 FT. IN LENGTH WITH A 8 INCH TIP AND 12" BUTT, DRIVEN TO REFUSAL.
2. ALL PILES SHALL BE PRESSURE-TREATED ROUND TIMBER PILES CONFORMING TO ASTM D25.
3. DESIGN LOAD = 5 TONS PER PILE.
4. NO FIELD SUPERVISION OR INSPECTION PROVIDED UNDER THIS SEAL UNLESS OTHERWISE NOTED.
5. PILE LAYOUT MAY BE MODIFIED DUE TO ACTUAL DRIVING CONDITIONS. ENGINEER TO BE NOTIFIED ON ANY MODIFICATION.
6. A PILE BLOW COUNT LOG OF ALL PILES IS TO BE SUBMITTED TO THE ENGINEER OF RECORD. FAILURE TO SUBMIT SAID LOG WILL RELEASE THE ENGINEER OF ALL RESPONSIBILITY.
7. CONTRACTOR IS RESPONSIBLE FOR THE COMPARISON & VERIFICATION OF PILE LAYOUT DIMENSIONS WITH MOST RECENT ARCHITECTURAL DRAWINGS, ASSURING THAT PILES DO FALL WITHIN LIMITS OF THE DESIGN.
8. USE DROP HAMMER OR SINGLE ACTING AIR HAMMER DELIVERING 7500 FT-LEBS OF ENERGY PER BLOW. MAX HEIGHT OF DROP HAMMER SHALL NOT EXCEED 2,500 TO 3,000 LBS AND THE DROP SHOULD NOT EXCEED 3 FT., AT MINIMUM OF 25 BLOWS PER FOOT. IF THE DROP EXCEEDS 3 FT., CONTACT ENGINEER FOR INSTRUCTIONS.
9. BRACE ALL PILING AS NEEDED FOR SWAYING. BRACE PORCH BACK TO PILING.
10. FIELD VERIFY DIMENSIONS AGAINST THE ARCHITECTURAL DRAWINGS.
11. WRAP ALL PILING AT BASE LINE.

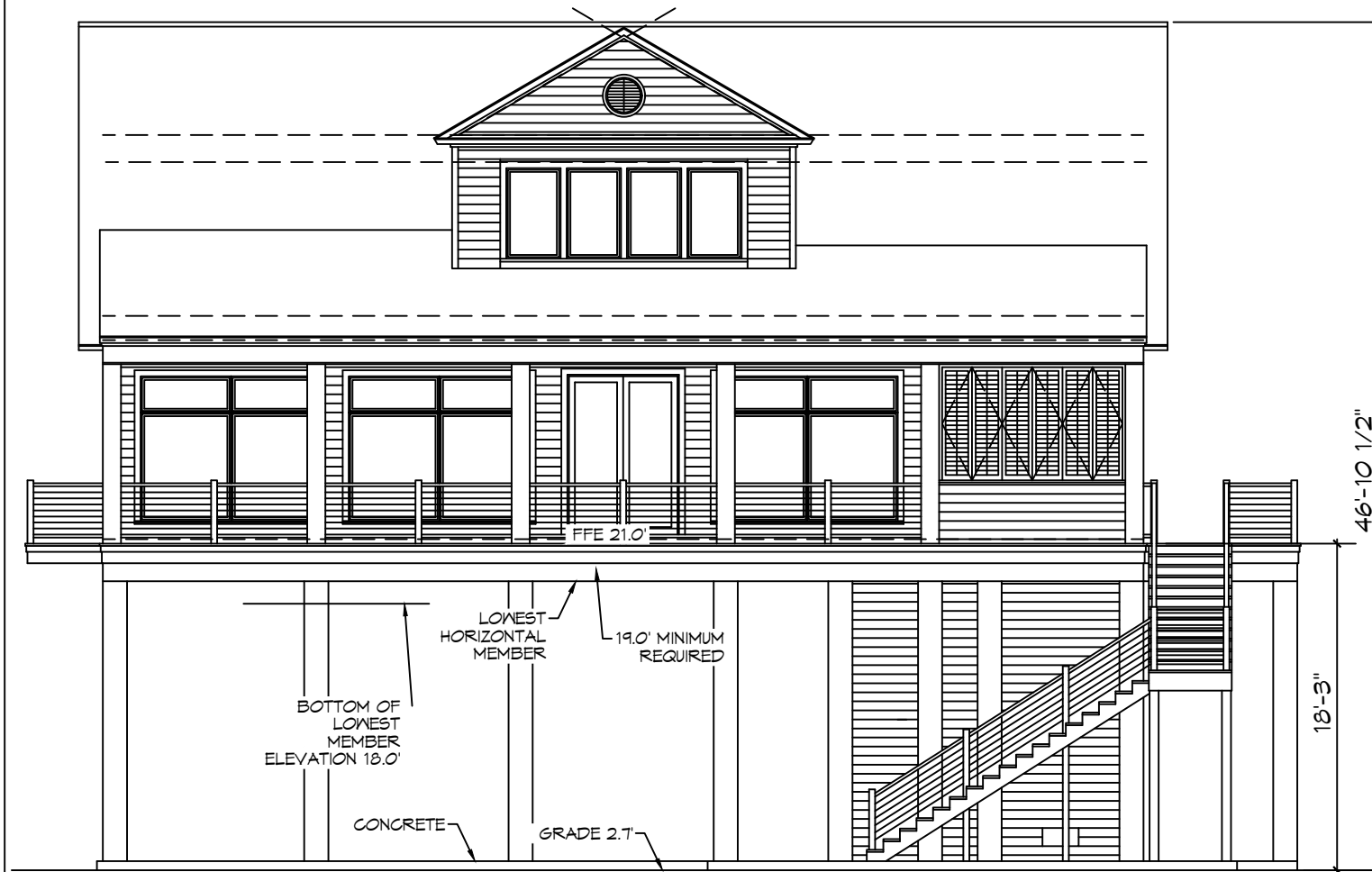
GENERAL NOTES

1. ALL LUMBER SHALL BE PRESSURE TREATED WITH A RETENTION OF .4 PER C.F.
2. ALL FASTENERS SHALL BE HOT DIPPED GALVANIZED (HDG) PER ASTM A153.
3. ALL CONNECTORS SHALL BE HDG PER ASTM A653, CLASS G185 SHEET WITH 1.85 OZ/SF ZINC COATING.
4. DOUBLE UP ON FLOOR JOISTS UNDER ALL LOAD BEARING WALLS AND BATHTUBS.



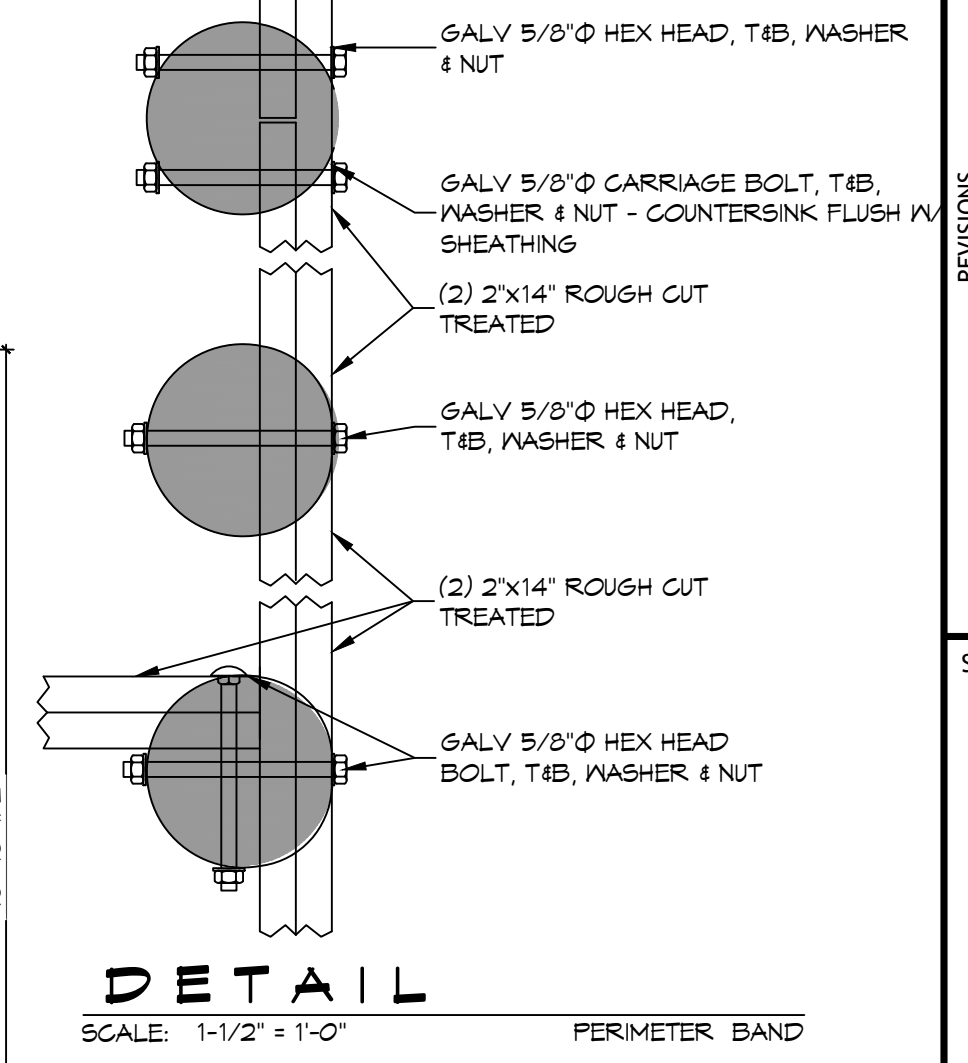
DETAIL

SCALE: 1-1/2" = 1'-0" CONNECTION BRACKET ON 2X14



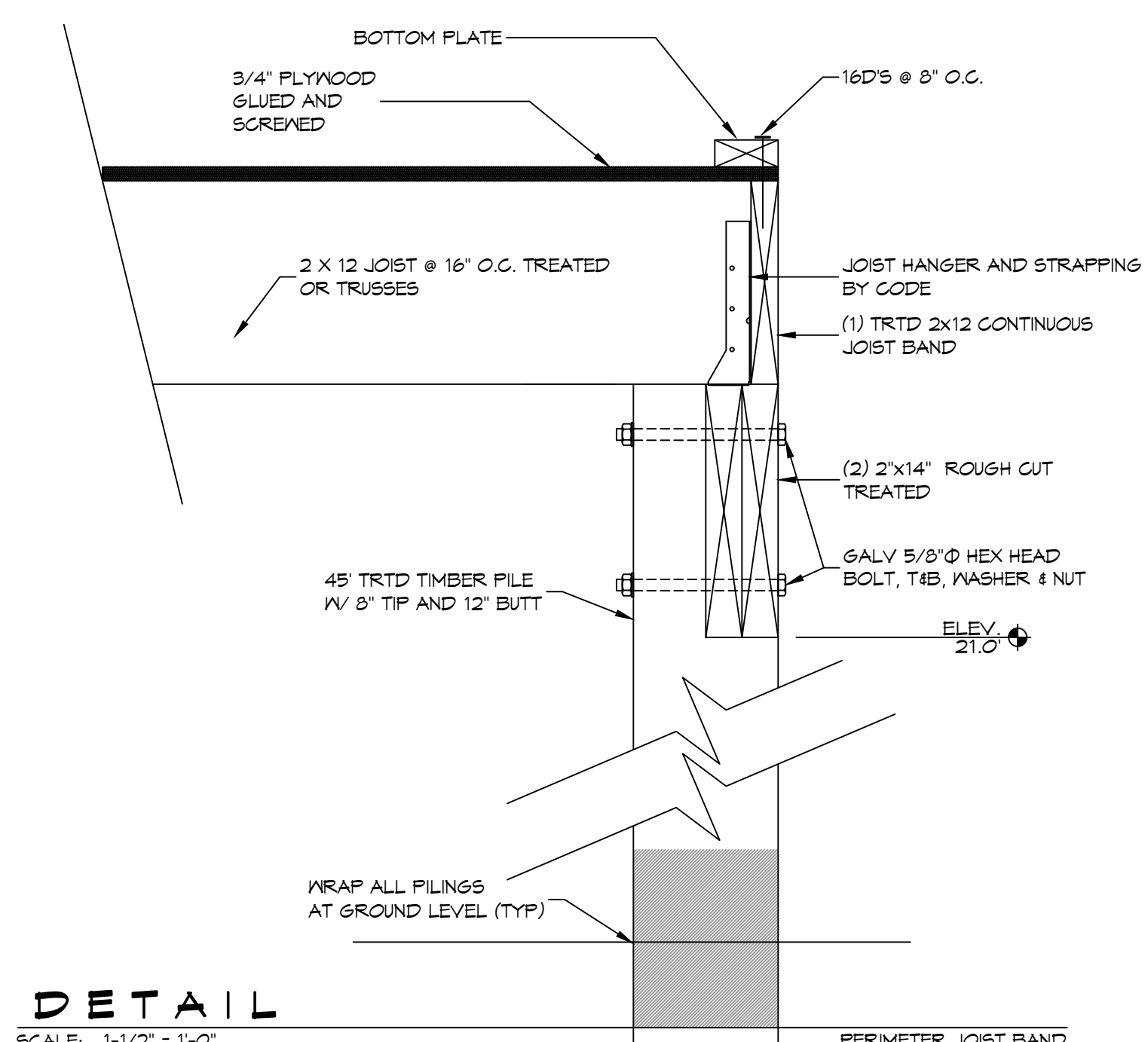
BLDG HEIGHT

SCALE: N.T.S.



DETAIL

SCALE: 1-1/2" = 1'-0" PERIMETER BAND



DETAIL

SCALE: 1-1/2" = 1'-0" PERIMETER JOIST BAND

DAMMON ENGINEERING, INC.
 LOUISIANA & MISSISSIPPI
 Chief Engineer: Brian Mestich, PE
 554 Old Spanish Trail
 Slidell, LA 70458
 www.dammonengineering.com
 info@dammonengineering.com
 PH: 985-649-5832

DATE	REVISIONS	DESCRIPTION

SEAL:

RESIDENCE
 TRS
 ENGINEERING
 INC.

SHEET TITLE:
PILING & BANDING PLAN
 DRAWING NUMBER:
S101
 SHEET No: 1 of 1

55 TREASURE ISLES
 SLIDELL, LA 70461
 JOB No: 2024
 DATE: 07-10-2024
 DRAWN BY: CJD
 CHECKED BY: BAW