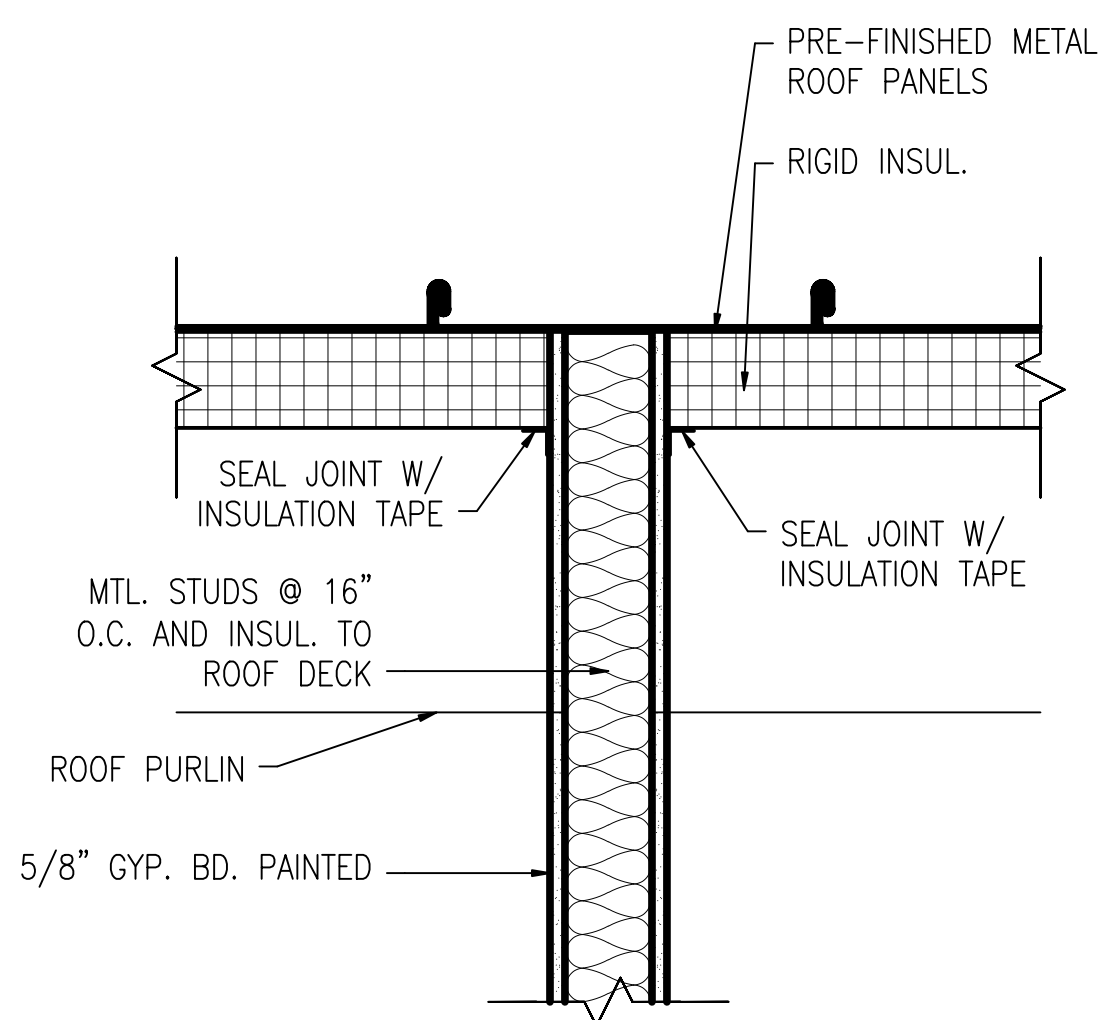
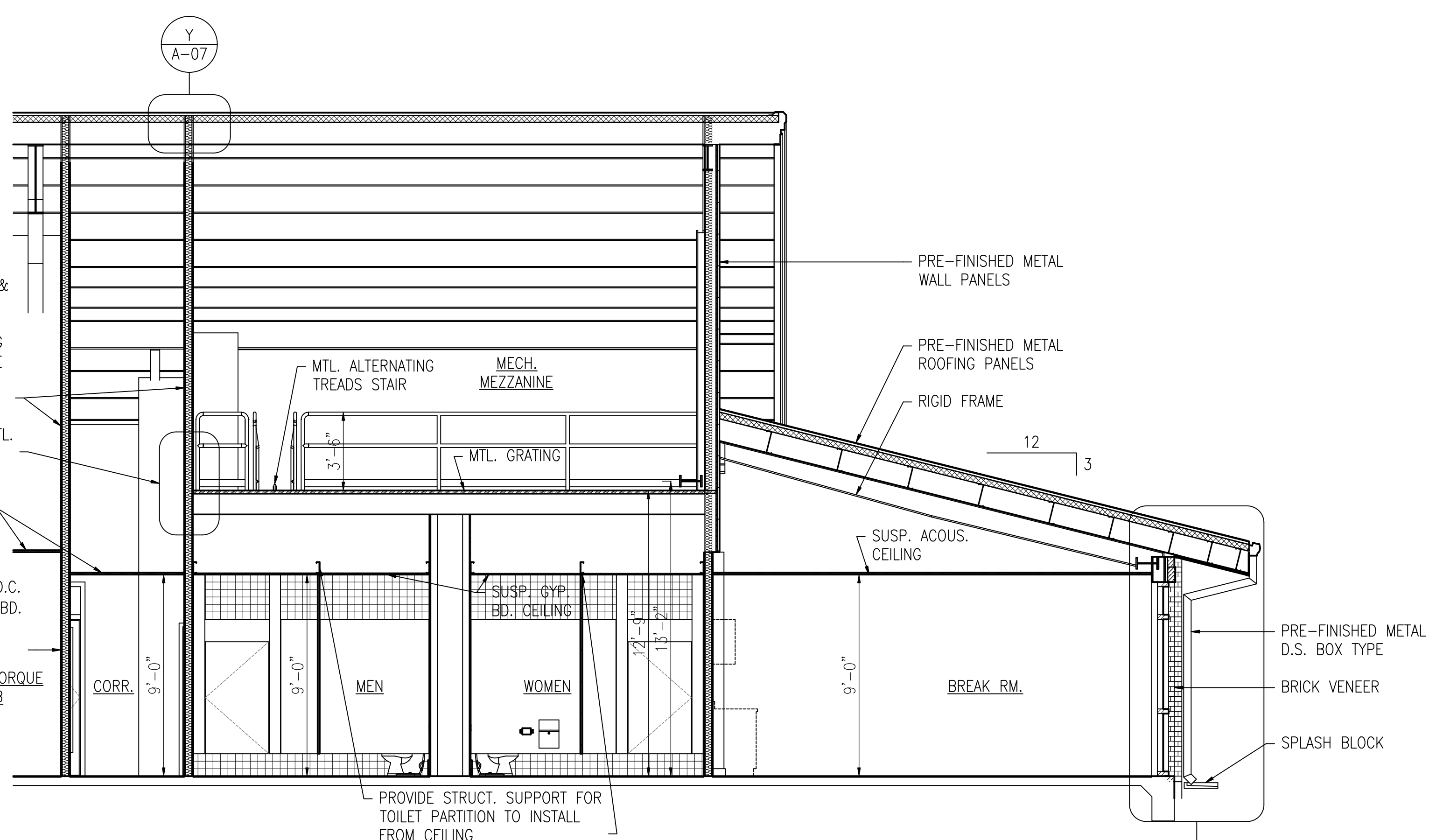


**TYPICAL SECTION X**  
SCALE: 1 1/2" = 1'-0"

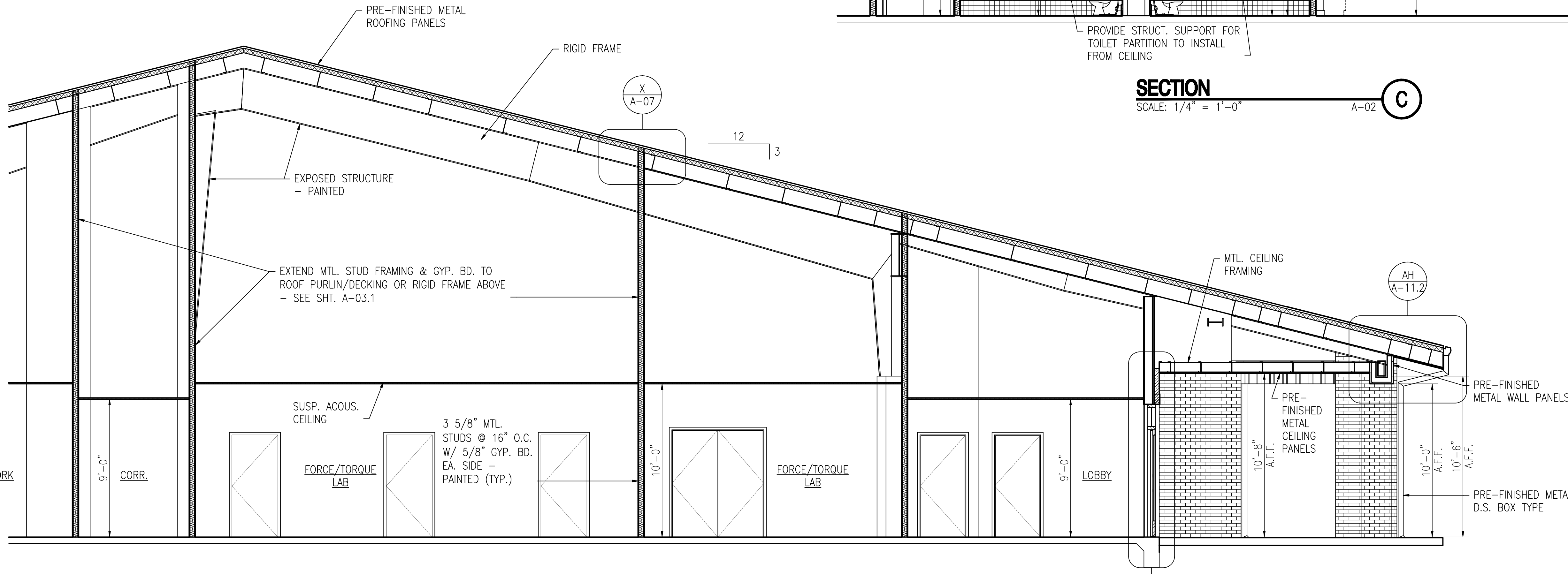


**TYPICAL SECTION Y**  
SCALE: 1 1/2" = 1'-0"

EXTEND MTL. STUD FRAMING & GYP. BD. TO ROOF PURLIN/DECKING OR RIGID FRAME ABOVE - SEE SHT. A-03.1  
SEE STRUCT. DTL. A SHEET S-8  
SUSP. ACOUS. CEILING  
3 5/8" MTL. STUDS @ 16" O.C. W/ 5/8" GYP. BD. EA. SIDE - PAINTED (TYP.)



**SECTION C**  
SCALE: 1/4" = 1'-0"



**SECTION D**  
SCALE: 1/4" = 1'-0"

ISSUED BY:  
Waldemar S. Nelson & Co.  
**FINAL DESIGN**  
29 / OCT / 2009

WALDEMAR S. NELSON AND COMPANY  
ENGINEERS AND ARCHITECTS  
1200 ST. CHARLES AVE. NEW ORLEANS, LA.

**BROADMOOR**  
BUILDING by DESIGN  
BROADMOOR, L.L.C.  
2740 North Amcott Road  
Metairie, Louisiana 70002  
www.broadmoor.com

REV.	DESCRIPTION	DATE	BY	APP.
0	FINAL DESIGN	10/29/09		

NAS JRB New Orleans  
Belle Chasse, Louisiana  
**NAVAIRSEFAC CALIBRATION BLDG.**  
SECTIONS  
DATE: AUGUST 22, 2008  
EFD FOR COMMANDER, NAVFAC

**NAVFAC**  
Naval Facilities Engineering Command  
Southeast Division, Jacksonville, FL

RECORD DRAWING DATE	05/27/09
CODE I.D. NO.	-
DRAWING SIZE	<b>D</b>
SPEC. NO. 06-	-
CONSTR. CONTR. NO.	-
NAVFAC DRAWING NO.	15030899
SHEET 12 OF	<b>26</b>

A-07