

PROVIDE EFFLUENT DISCHARGE SYSTEM IN ACCORDANCE WITH MANUFACTURERS' INSTRUCTIONS AND LOCAL REQUIREMENTS.

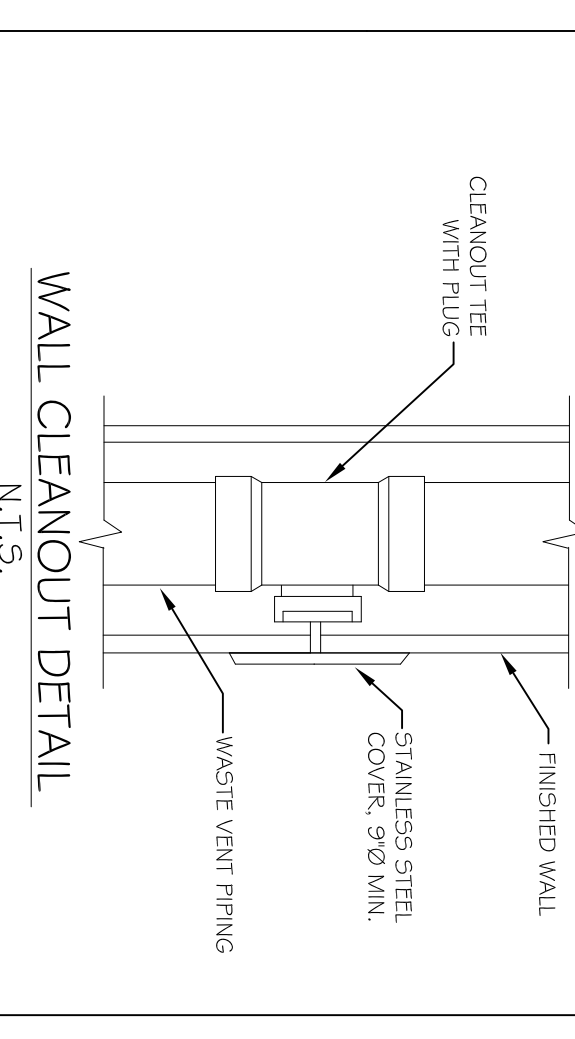
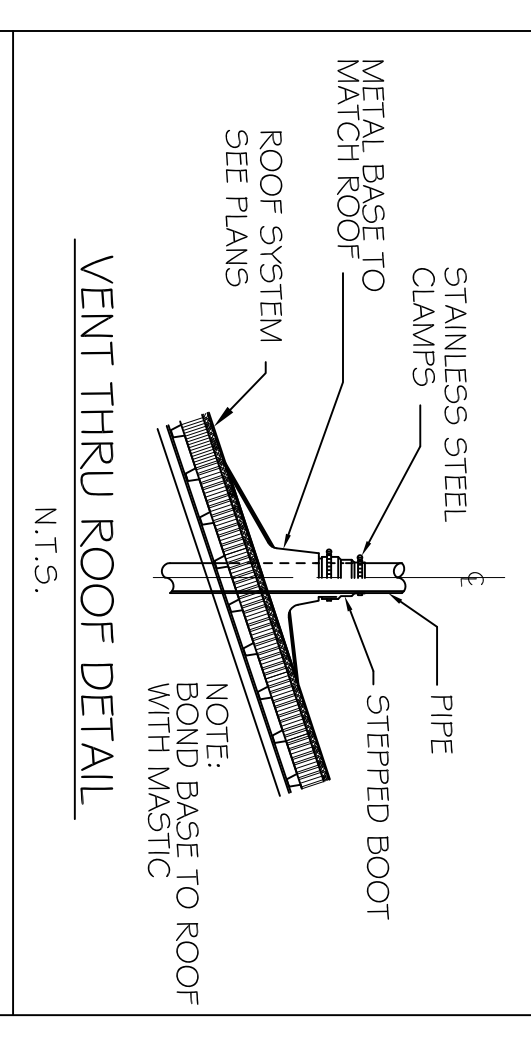
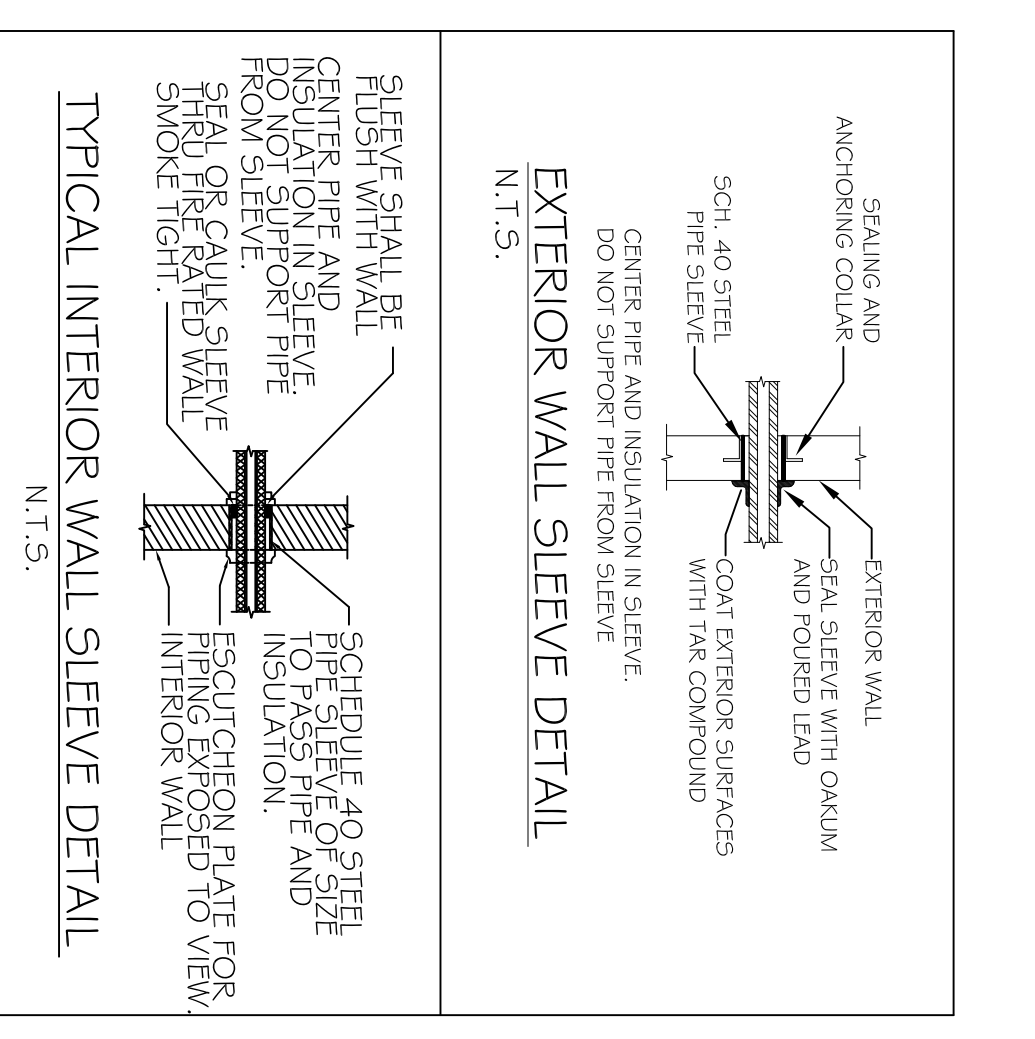
FIELD LOCATE NEW 500 GPD CHLORINATED SEWAGE TREATMENT PLANT INSTALL IN STRICT ACCORDANCE WITH MANUFACTURERS' INSTRUCTIONS.

NOTE: ALL WASTE PIPING SHALL BE TYPE 1, SCH. 40, ASTM 1785-B PVC PIPE WITH PVC DRAINAGE TYPE FITTINGS CONFORMING TO ANSI 119.9

NOTE: ALL DOMESTIC HOT AND COLD WATER PIPING SHALL BE TYPE "L" HARD DRAWN COPPER TUBE WITH ASTM B-75 WROUGHT COPPER SWEAT FITTINGS CONFORMING TO ANSI 119.9

NEW 3/4" COPPER WATER LINE, TIE INTO EXISTING MUNICIPAL DOMESTIC WATER SYSTEM ON LONG LONESOME RD. FIELD VERIFY LOCATION, PROVIDE WATER METER WITH SHUTOFF VALVE AND CONCRETE VAULT

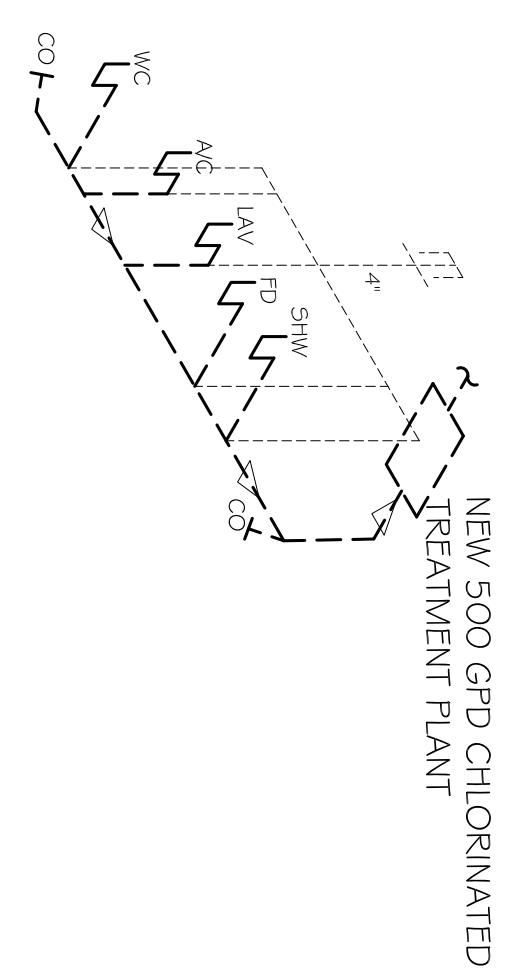
- PLUMBING PLAN LEGEND**
- SEWER LINE
- _____ WATER LINE
- PLUMBING PLAN**
- SCALE: 1/4" = 1'-0"
- PLUMBING NOTES**
1. PROVIDE ALL LABOR, MATERIAL AND EQUIPMENT FOR A COMPLETE OPERATING SYSTEM. THE SYSTEM SHALL INCLUDE HOT AND COLD WATER PIPING, SEWER AND VENT PIPING, INSULATION, WATER HEATER, HANGERS, VALVES, SUPPORTS WITHOUT ANY RESTRICTIONS TO COLUMN, CUT AND PATCH AS REQUIRED TO INSTALL PIPES.
 2. ALL WORK AND MATERIAL SHALL CONFORM STRICTLY TO THE LATEST LOCAL, CITY, PARISH, STATE AND NATIONAL GOVERNING CODES.
 3. CONTRACTOR IS TO FIELD VERIFY ALL EXISTING UTILITY LOCATIONS, ELEVATIONS AND SIZES PRIOR TO COMMENCING ANY WORK.
 4. CONTRACTOR SHALL PAY NECESSARY FEES FOR THE UTILITIES CONNECTIONS.
 5. SEWERAGE LINES 3-INCH AND SMALLER SHALL BE SLOPED 1/4" PER FOOT AND LINE 4-INCH AND LARGER SHALL BE 1/8" PER FOOT.
 6. TEST ALL PIPING AT REQUIRED PRESSURE.
 7. ALL PLUMBING SHALL BE CLOSELY COORDINATED WITH STRUCTURAL SYSTEM, MECHANICAL SYSTEM AND ELECTRICAL TO INSURE NO TRADES WILL CONFLICT WITH EACH OTHER.
 8. DO NOT SCALE DRAWINGS. SEE ARCHITECTURAL DRAWINGS FOR EXACT LOCATIONS OF DOORS, WINDOWS, WALLS, FIXTURES, ETC.
 9. ALL WATER MAINS AND PIPING NOT SHOWN FOR CLARITY; ALL LOCATIONS FIELD VERIFIED.
 10. ALL WATER PIPING AND FITTINGS ABOVE THE FLOOR SHALL BE INSULATED WITH 1/2" THICK FIBERGLASS INSULATION AND JACKET.
 11. ALL ELECTRICAL, MECHANICAL AND PLUMBING PENETRATING FIRE PARTITIONS SHALL BE FIRE CAULKED. (PENETRATIONS THROUGH RATED CONSTRUCTION SHALL BE SEALED WITH A MATERIAL CAPABLE OF PREVENTING THE PASSAGE OF FLAMES AND HOT GASES WHEN TESTED IN ACCORDANCE WITH ASTM E914.)
 12. ALL PLUMBING LINES SHOWN ARE DIAGRAMMATIC.



PLUMBING FIXTURE SCHEDULE

MARK	DESCRIPTION	TYPE	ROUGH-IN SIZES	NOTES
WC	H.C. WATER CLOSET	TANK	4" CW 4" TW	2, 3, 5
LAV	H.C. LAVATORY	WALL HUNG	2" CW 1/2" TW	1, 2, 3, 5
FD	FLOOR DRAIN	-	2" CW -	4, 5
AHU	AHU DRAIN	-	1" CW 1" TW	5
SHW	SHOWER	-	2" CW 1/2" TW	5

- FIXTURE NOTES:**
1. INSULATE PIPING FOR HANDICAP FIXTURES.
 2. PROVIDE CHAIR CARRIER FOR WALL HUNG FIXTURES.
 3. H.C. - HANDICAP FIXTURE
 4. INSTALL TRAP PRIMER ON ALL FLOOR DRAINS.
 5. FIXTURES SELECTED BY OWNER.



PLUMBING RISER DIAGRAM

N.T.S.