

SEWER SYSTEM RENOVATION BRIDGE CITY CENTER FOR YOUTH

PROJECT NO.: 08-403-11-01 PART-01

SITE CODE 1-26-004

3225 RIVER ROAD

BRIDGE CITY, LA 70094



STATE OF LOUISIANA

BOBBY JINDAL
GOVERNOR

DIVISION OF ADMINISTRATION

KRISTY NICHOLS
COMMISSIONER OF ADMINISTRATION

OFFICE OF FACILITY PLANNING AND CONTROL

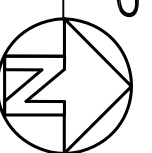
MARK MOSES
DIRECTOR



AREA OF WORK

VICINITY MAP

N.T.S.



INDEX OF DRAWINGS

SHT#	DWG#	DRAWING NAME	REVISED
1		COVERSHEET	
2	C-1	SEWER SURVEY	
3	C-2	NOTES	
4	C-3	SITE PLAN	
5	C-4	FENCE PLAN	
6	C-5	SEWER DETAILS #1	
7	C-6	SEWER DETAILS #2	
8	E-1	ELECTRICAL PLAN	

SEWER SYSTEM RENOVATION
BRIDGE CITY CENTER FOR YOUTH

PROJECT NO. 08-403-11-01 PART 01 (SITE CODE 1-26-004)
3225 RIVER ROAD
BRIDGE CITY, LA 70094

JOB No: 2156 DATE: 3/7/2014

The above drawings and specifications, designs and arrangements represented hereby are and shall remain the property of Dammon Engineering, and no part thereof shall be copied, disclosed to others, or used in connection with any work or project other than the specific project for which they have been prepared and developed without written consent of Dammon Engineering. Visual contact with these drawings or specifications shall constitute conclusive evidence of acceptance of these restrictions.



DAMMON
ENGINEERING, INC.

Architects & Engineers

CHIEF ENGINEER: BRIAN MISTICH, P.E.
CHIEF ARCHITECT: KEVIN KINCHEN
554 OLD SPANISH TRAIL
SLIDELL, LA 70458

www.dammonengineering.com
PHONE: 985-649-5832
FAX: 985-641-5950

GENERAL NOTES

1. CONTRACTOR TO VERIFY ALL SITE CONDITIONS, BUILDING LOCATIONS, AND DIMENSIONS PRIOR TO CONSTRUCTION.
2. MATERIALS SHALL BE NEW AND U.L. LISTED.
3. NO WORK SHALL BE CONCEALED UNTIL APPROVED BY DESIGNER.
4. CONSTRUCTION SHALL COMPLY WITH ALL STATE AND LOCAL CODES.
5. CONTRACTOR TO GUARANTEE WORK FOR ONE YEAR.
6. CONTRACTOR MAY TURNISH WATER AND POWER FROM EXISTING SOURCES.
7. PROVIDE CLEANUP ON A REGULAR BASIS. NO TRASH CAN BE STORED INSIDE THE SECURED CAMPUS OVERNIGHT.
8. ALL WORK SHALL COMPLY WITH THE LATEST EDITION OF ALL STATE AND NATIONAL CODES COVERING THE TYPE OF WORK BEING PERFORMED.
9. CONTRACTOR SHALL INSTALL A NEW 2-WAY CLEAN-OUT WITHIN 5FT OF BLDG FOR EACH GRAVITY SEWER LATERAL AND INSTALL NEW PVC LATERALS TO SEWER MAIN. EACH GRAVITY SEWER LATERAL SHALL INCLUDE A CLEAN-OUT WHEN THE PIPE CHANGES DIRECTION; NOT MORE THAN EVERY 50FT FOR 3" OR LESS PIPING OR 80FT FOR 4" THROUGH 6" PIPING.
10. CONTRACTOR SHALL CLOSE OPEN ENDS OF ABANDONED UNDERGROUND PIPING. TO CLOSE PVC PIPING USE A PVC END CAP AND FOR VCP PIPING USE A CONCRETE MORTAR MIX TO COMPLETELY SEAL THE END.
11. CONTRACTOR SHALL PROVIDE EXCAVATION SUPPORT AND PROTECTION SYSTEMS CAPABLE OF SUPPORTING EXCAVATION SIDEWALLS, RESISTING EARTH AND HYDROSTATIC PRESSURES AND SUPERIMPOSED LOADS.
12. THE CONTRACTOR SHALL PERFORM ALL OF THE WORK IN ACCORDANCE WITH APPLICABLE OSHA STANDARDS. EMPHASIS SHALL BE PLACED UPON THE REQUIREMENTS FOR ENTERING CONFINED SPACES AND WITH THE EQUIPMENT BEING UTILIZED FOR MAINTENANCE RENEWAL COMPONENTS. ALL ENTRIES INTO OR WORK WITHIN CONFINED SPACES SHALL BE CONDUCTED IN ACCORDANCE WITH THE U.S. DEPARTMENT OF HEALTH AND HUMAN SERVICES/NATIONAL INSTITUTE FOR OCCUPATIONAL SAFETY AND HEALTH IDHHS (NIOSH) PUBLICATION NO. 87-113. A GUIDE TO SAFETY IN CONFINED SPACES.
13. ANY WORK WITHIN THE ROADWAY OR ADJACENT TO THE ROADWAY CAUSING AN INTERFERENCE TO VEHICULAR TRAFFIC REQUIRES PRIOR NOTIFICATION TO THE PARISH OR CITY TRAFFIC ENGINEERING DIVISION, AND MUST CONFORM TO THE REQUIREMENTS SET FORTH BY THE UNIFORM MANUAL OF TRAFFIC CONTROL DEVICES OF THE STATE OF LOUISIANA. THE CONTRACTOR MUST FURNISH ALL NECESSARY TRAFFIC SIGNS AND/OR BARRICADES AND MAINTAIN THEM DURING CONSTRUCTION ACTIVITY.

BY-PASS PUMPING NOTES:

THE CONTRACTOR SHALL PROVIDE FOR THE FLOW OF EXISTING MAINLINE AND SERVICE CONNECTION EFFLUENT AROUND THE SECTION OR SECTIONS OF PIPE DESIGNATED FOR CIPP INSTALLATION. SERVICE CONNECTION EFFLUENT MAY BE PLUGGED ONLY AFTER PROPER NOTIFICATION TO BCCY PERSONNEL CONCERNING WHICH BUILDINGS WILL BE AFFECTED. NO SERVICE LATERAL IS TO REMAIN PLUGGED OVERNIGHT. THE FOLLOWING BUILDINGS SHALL NOT HAVE SERVICE INTERRUPTIONS FOR MORE THAN 2 HOURS. BUILDINGS 04 # 05 (BLDG. K), 14 # 15 (BUILDING J) AND 18 (INFIRMARY). THESE BUILDINGS SHALL HAVE BY-PASS PUMPING INSTALLED DURING ANY SEWER OUTAGE THAT WOULD AFFECT THESE BUILDINGS. INSTALLATION OF THE LINES FOR MAINLINES OR MAINLINE SHALL NOT BEGIN UNTIL THE CONTRACTOR HAS INSTALLED A SEWAGE BY-PASS SYSTEM AND ALL PUMPING FACILITIES HAVE BEEN INSTALLED AND TESTED UNDER FULL OPERATING CONDITIONS INCLUDING THE BYPASS OF MANUAL AND SIDE SEWER FLOWS. ONCE THE LINING PROCESS HAS BEGUN, EXISTING SEWAGE FLOWS SHALL BE MAINTAINED, UNTIL THE RESINFELT TUBE COMPOSITE IS FULLY CURED, COOLED DOWN, CIPP ENDS FINISHED AND FULL TELEVIEW. THE CONTRACTOR SHALL COORDINATE SEWER BYPASS AND FLOW INTERRUPTIONS WITH THE OWNER AT LEAST 14 DAYS IN ADVANCE. THE PUMP AND BYPASS LINES SHALL BE OF ADEQUATE CAPACITY AND SIZE TO HANDLE PEAK FLOWS. THE CONTRACTOR SHALL SUBMIT A DETAIL OF THE BYPASS PLAN AND DESIGN TO THE DESIGNER BEFORE PROCEEDING WITH ANY CIPP INSTALLATION.

TREE PRESERVATION NOTES:

1. CARE SHALL BE TAKEN TO PRESERVE THE TREE ROOT SYSTEM(S). IN THE EVENT THAT ROOT(S) ARE IMPACTED, CARE SHALL BE TAKEN TO MINIMIZE THE IMPACT TO THE ROOT SYSTEM. THE CRITICAL ROOT ZONE (CRZ) OF EACH TREE SHALL BE DETERMINED BY THE DESIGNER. TREE PROTECTION FENCING SHALL BE PLACED AT THE EXTENT OF THE CRZ.
 - A. LIMIT CONSTRUCTION ACCESS BY PLACING TEMPORARY TREE PROTECTION FENCING AROUND ALL TREES. FENCE LOCATION SHALL BE INSPECTED REGULARLY TO MAINTAIN INTEGRITY OF PROTECTION.
 - B. FENCING SHALL BE PLACED AS FAR OUT FROM THE TREE TRUNK AS POSSIBLE.
2. IN AREAS WHERE CONSTRUCTION ACCESS IS REQUIRED, THE NATURAL GRADE CAN BE PROTECTED FROM COMPACTION BY PLACING A BLANKET OF MULCH 6" - 12" DEEP UNDER ¾" PLYWOOD OVER NATURAL GRADE. THIS SHALL BE REMOVED BY HAND, USING NO EQUIPMENT AFTER THE PROJECT IS COMPLETED.
 - A. ANY WORK, EXCAVATION OR GRADING REQUIRED WITHIN THE PROTECTED ROOT ZONE AREAS SHOULD BE LIMITED TO 3" CUT OR FILL, WITH NO ROOTS OVER ¾" IN DIAMETER BEING CUT.
3. WHEN EXCAVATING WITH A BACKHOE OR TRENCHER IN TREE ROOT ZONE AREAS IS UNAVOIDABLE, PRUNE ANY RIPPED ROOTS IN THE TRENCH BETWEEN THE DIG SITE AND THE TREE TRUNK. PRUNING SHALL TAKE PLACE WITH A CHAIN SAW, LOPPERS, HAND SAW, ETC. THE CUT SHOULD TAKE PLACE BEHIND THE RIPPED AREA TO THE EXTENT POSSIBLE. (DEPTH OF TRENCH SHALL BE LIMITED TO THE DEPTH OF THE REQUIRED EXCAVATION FOR INSTALLATION OF THE UTILITY). KEEP HEAVY EQUIPMENT OFF OF THE AREA BETWEEN THE TRENCH AND TRUNK OF THE TREE. WORK FROM THE OUTSIDE MOST AREA OF THE TREE, RATHER THAN SETTING UP EQUIPMENT BETWEEN THE PROPOSED DIGGING SITE AND THE TRUNK OF THE TREE.

SITE ACCESS AND PROCEDURES

1. CONTRACTOR SHALL UTILIZE THE STAGING AREAS INDICATED ON FENCING PLAN FOR SITE ACCESS THROUGH PERIMETER SECURITY FENCING, FOR STORAGE OF MATERIALS AND EQUIPMENT.
2. CONTRACTOR SHALL BE RESPONSIBLE FOR SECURING ALL STORED ITEMS, EQUIPMENT, ETC., WITHIN STAGING AREAS) AND BE FULLY INSURED FOR ANY LOSS.
3. CONTRACTOR SHALL MODIFY EXISTING PERIMETER SECURITY FENCE AND PROVIDE A DOUBLE GATED SALTY PORT TO ACCESS THE SITE FROM THE STAGING AREA. SALTY PORT AND GATES BE OF SUFFICIENT DIMENSION TO ALLOW FOR LARGEST TRUCK AND/OR EQUIPMENT TO ACCESS SITE WITHOUT OPENING BOTH GATES AT THE SAME TIME. THE SALTY PORT FENCE AND GATES SHALL BE BUILT FROM THE SAME MATERIALS, AND OFFER THE SAME LEVEL OF SECURITY AS THE EXISTING PERIMETER FENCE. SALTY PORT FENCING SHALL BE 10' HIGH WITH RAZOR WIRE. GATES SHALL HAVE RAZOR WIRE THAT MOVES WITH GATE TO ALLOW FOR TRAIL VEHICLES. CONTRACTOR SHALL REPAIR EXISTING PERIMETER SECURITY FENCE TO MATCH EXISTING CONDITIONS AT COMPLETION OF PROJECT. PROTECT EXISTING PAVING, SIDEWALKS, ETC. RESTORE ALL EXISTING SURFACES AND MATERIALS TO ORIGINAL CONDITIONS AT COMPLETION OF PROJECT.
4. CONTRACTOR SHALL COORDINATE AND SCHEDULE ALL LARGE TRUCKS AND/OR EQUIPMENT ACCESSING THE SITE THROUGH DELIVER SALTY PORT WITH THE OWNERS SECURITY GUARDS AND BRIDGE CITY SECURITY DEGRADERS PROJECT. SECURITY GUARDS ARE REQUIRED TO BE AT GATE FOR ALL DELIVERIES AND THE TRANSFER OF WORKERS AND MATERIALS, ETC. NO MOTORIZED VEHICLE MAY BE LEFT WITHIN THE SECURE PERIMETER UNATTENDED.
5. NO VEHICLE PARKING EXCEPT FOR REQUIRED CONSTRUCTION EQUIPMENT, IS ALLOWED WITHIN THE PERIMETER OF THE SECURITY FENCE, COORDINATE WITH OWNER. FOR ANY MOTORIZED VEHICLE WITHIN THE SECURE PERIMETER, SOMEONE WILL HAVE TO STAY WITH THE VEHICLE AT ALL TIMES (NOT JUST HAVE KEYS ON THEIR PERSON).
6. NO CONTRACTOR, OR CONTRACTORS EMPLOYEES, WILL BE ALLOWED TO PARK IN THE STAFF OR VISITOR PARKING LOTS. CONTRACTOR AND CONTRACTORS EMPLOYEES PARKING WILL BE ALLOWED ADJACENT TO STAGING AREAS, AT LOCATIONS SUBJECT TO OWNERS' APPROVAL.
7. CONTRACTOR AND CONTRACTORS EMPLOYEES SHALL BE ALLOWED ACCESS TO THE SITE BY MEANS OF AN EXISTING DRIVE, THROUGH A GATE MANNED BY BCCY PERSONNEL. INGRESS AND EGRESS OF VEHICLES SHALL BE COORDINATED WITH FACILITY.
8. ALL CONTRACTOR AND SUB-CONTRACTOR EMPLOYEES ENTERING THE BCCY SITE WILL BE SUBJECT TO, AND MUST PASS, AN NDC BACKGROUND CHECK PRIOR TO GAINING ACCESS TO THE SECURE GROUNDS. PERSONNEL INFORMATION MUST BE SUBMITTED FIVE WORKING DAYS IN ADVANCE. AS BACKGROUND CHECK AND APPROVAL CAN NOT BE GRANTED IMMEDIATELY. SEE OFFICE OF JUVENILE JUSTICE MEMORANDUM IN SPECIFICATION MANUAL.

PHASING AND SEQUENCE OF WORK

1. PROPER PHASING AND SEQUENCE OF THE WORK IS OF UTMOST IMPORTANCE TO THE SUCCESS OF THE CONSTRUCTION PHASE AND IS THE CONTRACTORS RESPONSIBILITY. CONTINUOUS OPERATION OF THE FACILITY IS A MANDATORY REQUIREMENT IN ESTABLISHING SUCH PHASING, WITH SAFETY OF STAFF, RESIDENTS AND VISITORS TO THE FACILITY, AND MAINTAINING A SECURE PERIMETER FENCE THROUGHOUT THE CONSTRUCTION PERIOD ARE ALSO REQUIRED.
2. CONTRACTOR SHALL NOTIFY BCCY PERSONNEL AND COORDINATE WITH BRIDGE CITY SECURITY UPGRADES PROJECT, IN ADVANCE OF INITIATING OR COMPLETING A PHASE OF WORK TO ALLOW FOR PROPER PLANNING, SCHEDULING AND PLACEMENT OF EQUIPMENT AND RESOURCES, FENCING, BARRIERS, ETC. INCLUDING ANY TRANSITION PERIODS.
3. CONTRACTOR WILL BE RESPONSIBLE FOR INCLUDING ALL COSTS ASSOCIATED WITH PHASING OR SEQUENCE OF THE WORK. CONTRACTOR TO FINALIZE DETAILS OF SCHEDULING PRIOR TO START OF PROJECT AND REVIEW WITH BCCY AND ARCHITECT.
4. PHASING OF WORK:
 - ALL OCCUPY OR BUILDINGS IN OTHERWISE DAILY USE TO HAVE CONTINUOUS SEWAGE SYSTEM SERVICE THROUGHOUT THE DURATION OF THE PROJECT.
 - CONTRACTOR TO PROVIDE BYPASS PUMPING IN ACCORDANCE WITH PROJECT PROGRAM TO MAINTAIN SEWAGE SERVICE WHILE RE-LINING EXISTING PIPE, REPAIRING SERVICE PIPE OR CONNECTIONS, CUTTING SERVICE CONNECTIONS OR REPAIRING MANHOLES, ETC.
 - CONTRACTOR TO COORDINATE WITH BCCY TO DETERMINE BUILDINGS NOT REQUIRING CONTINUOUS SERVICE AND OTHERWISE SCHEDULE SEWAGE SYSTEM OUTAGES NOT REQUIRING BYPASS PUMPING.
 - CONTRACTOR TO DETERMINE EXTENT, DURATION AND TIMING OF SEWAGE SYSTEM SECTIONS TO BE BYPASS PUMPED.

REPAIR NOTES:

1. CONTRACTOR SHALL ADJUST MANHOLE FRAMES AND COVERS TO A MINIMUM OF 6" ABOVE GRADE THEN RELINE THE FOLLOWING MANHOLES IAW SECTION 33 39 13.6 I

A. MH 12	D. MH 17	G. MH 24
B. MH 15	E. MH 18	H. MH 25
C. MH 16	F. MH 19	
2. CONTRACTOR SHALL RELINE THE FOLLOWING 8" SEWER MAINS WITH CURED IN PLACE PIPE (CIPP) IAW SECTION 22 01 10.62
 - A. FROM MH 19 TO MH 15
 - B. FROM MH 15 TO MH 16
 - C. FROM MH 16 TO MH 17
 - D. FROM MH 17 TO MH 18
 - E. FROM MH 18 TO MH 12
 - F. FROM MH 12 TO MH 21
3. CONTRACTOR SHALL REPAIR THE FOLLOWING SECTIONS OF 8" SEWER MAIN
 - A. STARTING FROM MH 19 TO MH 15 @ APPROXIMATELY 107.3 FT. REPAIR TAP # INSTALL CLEAN-OUT TO SERVICE BLDG. 02 LATERAL.
 - B. STARTING FROM MH 19 TO MH 15 @ APPROXIMATELY 190 FT. REPAIR TAP.
 - C. STARTING FROM MH 16 TO MH 15 @ APPROXIMATELY 34.8 FT. REPLACE TAP.
 - D. STARTING FROM MH 17 TO MH 16 @ APPROXIMATELY 35.6 FT. TO MH 16 REPLACE PIPING.
 - E. STARTING FROM MH 18 TO MH 17 @ APPROXIMATELY 89.1 FT. TO 115 FT. REPLACE PIPING.
 - F. STARTING FROM MH 18 TO MH 12 @ APPROXIMATELY 44 FT. REPAIR TAP AND ABANDON TAP.
 - G. STARTING FROM MH 18 TO MH 12 @ APPROXIMATELY 88 FT. TO 100 FT. REPLACE PIPING.
 - H. STARTING FROM MH 18 TO MH 12 @ APPROXIMATELY 158 FT. TO 175 FT. REPLACE PIPING.
4. CONTRACTOR SHALL INSTALL A NEW CLEAN-OUT WITHIN 5FT OF BLDG. FOR EACH GRAVITY SEWER LATERAL. EACH GRAVITY SEWER LATERAL SHALL HAVE A CLEAN-OUT WHEN THE PIPE CHANGES DIRECTION MORE THAN 45° AND NOT MORE THAN EVERY 50FT FOR 3" OR LESS PIPING OR 80FT FOR 4" THROUGH 6" PIPING. ALL FORCE MAINS SHALL BE INSTALLED INSIDE EXISTING DAMAGED GRAVITY SEWER LATERALS.
 - A. BLDG. 01 (KITCH / DIN/CHAPEL) INSTALL NEW GRAVITY SEWER LATERAL TO MAINLINE SEWER.
 - B. BLDG. 01 (ADMIN) INSTALL NEW GRAVITY SEWER LATERAL TO NEW LIFT STATION AT BLDG. 03
 - C. BLDG. 02 REPLACE 3 FT OF SERVICE LATERAL WITH PROPER SLOPING, INSTALL CLEAN-OUT (SEE ITEM 3A ABOVE). CLEAN EXISTING GRAVITY SEWER LATERAL TO MAINLINE SEWER IAW SECTION 22 01 10.51.
 - D. BLDG. 03 INSTALL NEW GRAVITY SEWER LATERALS TO NEW LIFT STATION. CONSTRUCT BOX WITH STEEL COVER PLATE OVER EXPOSED DUCTILE IRON PIPE AND NEW PVC CONNECTION TO NEW LATERAL AT NORTHSIDE OF BUILDING. INSTALL NEW LIFT STATION AND FORCE MAIN TO SEWER MAIN.
 - E. BLDG. 04 (NORTHSIDE) INSTALL NEW LIFT STATION AND FORCE MAIN.
 - F. BLDG. 04 # 05 (WESTSIDE) INSTALL NEW LIFT STATION AND FORCE MAIN.
 - G. BLDG. 05 (SOUTHSIDE) INSTALL NEW LIFT STATION AND FORCE MAIN.
 - H. BLDG 06, 07 # 08 INSTALL NEW 6" GRAVITY SEWER LATER TO MANHOLE.
 - I. BLDG. 09 INSTALL NEW CLEAN-OUTS AND CLEAN EXISTING GRAVITY SEWER LATERAL TO MAINLINE SEWER IAW SECTION 22 01 10.51.
 - J. BLDG. 10 INSTALL NEW CLEAN-OUT AND CLEAN EXISTING GRAVITY SEWER LATERAL TO MAINLINE SEWER IAW SECTION 22 01 10.51.
 - K. BLDG. 11 INSTALL NEW CLEAN-OUT. GRAVITY SEWER LATERAL WITH REPAIR ITEM 3C ABOVE.
 - L. BLDG. 12 INSTALL NEW 2-WAY CLEAN-OUT WITHIN 5 FEET OF BUILDING AND AT SEWER MAIN LINE. REPAIR SAGGING LATER AT SEWER MAIN LINE AND CLEAN EXISTING LATERAL IAW SECTION 22 01 10.51.
 - M. BLDG. 13 INSTALL NEW CLEAN-OUTS, RELOCATE EXISTING GREASE TRAP, AND INSTALL NEW 6" GRAVITY SEWER LATERAL TO MANHOLE.
 - N. BLDG. 14 (SOUTHSIDE) INSTALL NEW GRAVITY SEWER LATERAL TO SEWER MAIN.
 - O. BLDG. 14 # 15 (EASTSIDE) INSTALL NEW GRAVITY SEWER LATERAL TO MANHOLE.
 - P. BLDG 15 (NORTHSIDE) INSTALL NEW GRAVITY SEWER LATERAL TO NEW LIFT STATION. INSTALL NEW LIFT STATION AND FORCE MAIN TO SEWER MAIN.
 - Q. BLDG. 17 INSTALL NEW CLEAN-OUT AND GRAVITY SEWER LATERAL TO NEW LIFT STATION NEAR BLDG 18.
 - R. BLDG. 18 (NORTHSIDE) INSTALL NEW CLEAN-OUT AND GRAVITY SEWER LATERAL TO NEW LIFT STATION. INSTALL NEW LIFT STATION AND FORCE MAIN TO SEWER MAIN.
 - S. BLDG. 18 (EASTSIDE) INSTALL NEW CLEAN-OUT AND GRAVITY SEWER LATERAL TO NEW LIFT STATION NEAR BLDG. 15.
 - T. BLDG. 19 INSTALL NEW CLEAN-OUT ON NORTHSIDE OF RESIDENCE AND CLEAN EXISTING GRAVITY SEWER LATERAL TO BLDG 21 IAW SECTION 22 01 10.51.
 - U. BLDG. 20 INSTALL NEW 2-WAY CLEAN-OUT.
 - V. BLDG. 21 INSTALL NEW GRAVITY SEWER LATERAL TO NEW LIFT STATION. INSTALL NEW LIFT STATION AND FORCE MAIN TO CLEAN-OUT ON BREEZE WAY EAST OF NEW LIFT STATION. REPLACE CLEAN-OUT ON BREEZE WAY AND 8" GRAVITY SEWER LATERAL TO MANHOLE.
 - W. BLDG. 27. FITNESS PAVILION REPAIR SAGGING LATERAL 30 FEET FROM PAVILION TO EXISTING CLEAN-OUT @ 50 FEET AND 135 FEET TO 145 FEET. CLEAN EXISTING GRAVITY SEWER LATERAL TO MAINLINE SEWER IAW SECTION 22 01 10.51.
5. CONTRACTOR SHALL INSTALL A 5X6X6" CONCRETE PAD AROUND MH-12 COVER AND INSTALL FOUR (4) PIPE BOLLARDS TO PROTECT MANHOLE.
6. CONTRACTOR SHALL CLOSE ABANDONED DRAINAGE PIPE FROM MH-18 TO ABANDONED LIFT STATION IAW SECTION 22 13 13.
7. PROVIDE 1 EACH MAINTENANCE SPARE MOTOR/PUMP ASSEMBLY TO BCCY PERSONNEL PRIOR TO UTILIZING NEW LIFT STATIONS.

SEWER SYSTEM RENOVATION BRIDGE CITY CENTER FOR YOUTH

PROJ. NO. 08-403-11-01 PART 1
3225 RIVER ROAD
BRIDGE CITY, LA 70094

JOB No: 2156 DATE: 3/7/2014
DRAWN BY: DPD CHECKED BY: BM



DAMMON
ENGINEERING, INC.
Architects & Engineers

CHIEF ENGINEER, BRIAN MISTICH, P.E.
CHIEF ARCHITECT, KEVIN KINCHEN
554 OLD SPANISH TRAIL
SLIDELL, LA 70458

dammoneengineering.com
PHONE: 985-649-5632
FAX: 985-641-5950

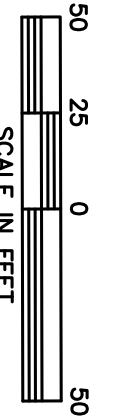
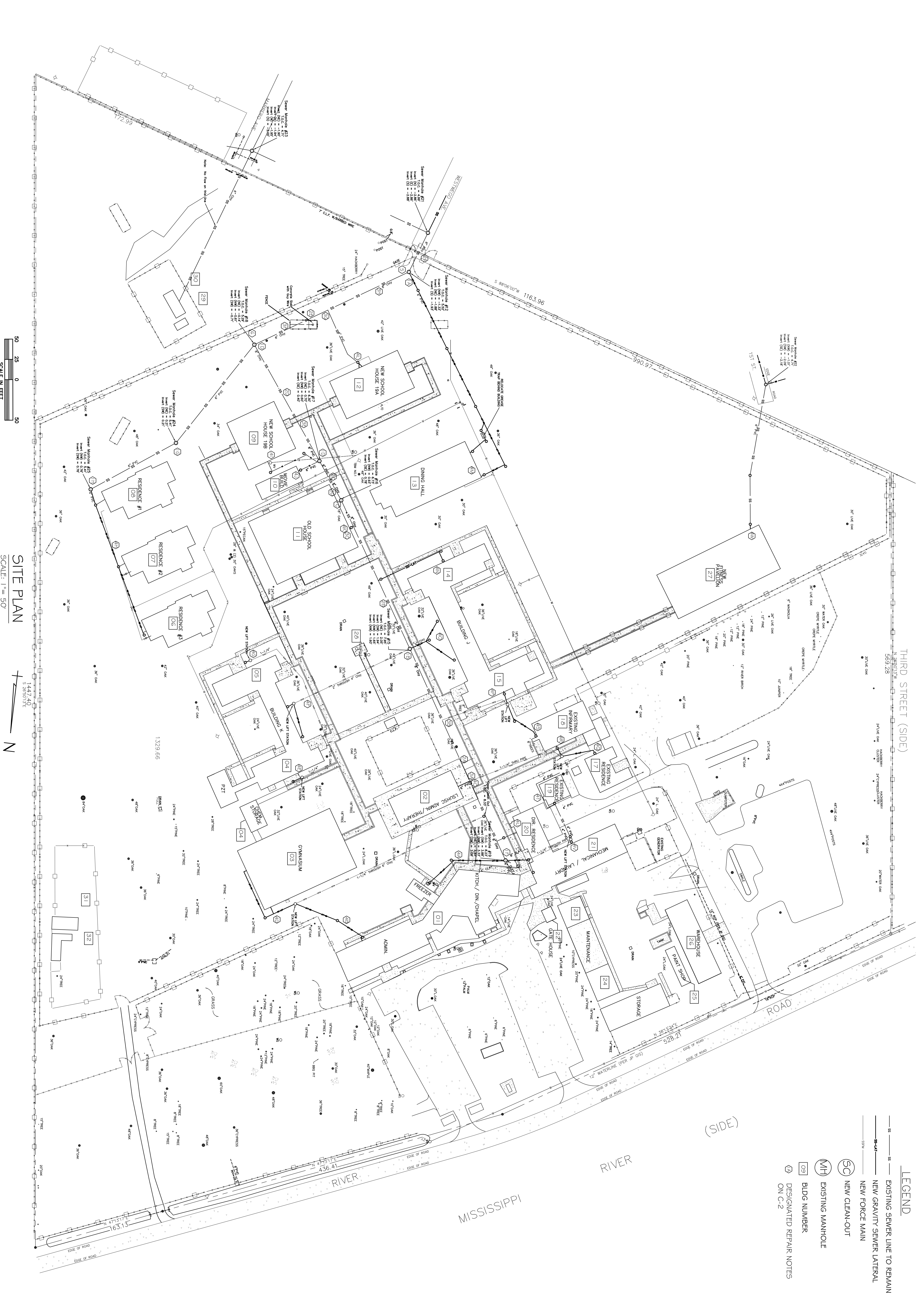
REVISIONS

#	DESCRIPTION	DATE

NOTES

SHEET No: 03 OF 08

C-2



SITE PLAN
SCALE: 1" = 50'



THIRD STREET (SIDE)
569.28

LEGEND

- SS — SS — EXISTING SEWER LINE TO REMAIN
- S-L — S-L — NEW GRAVITY SEWER LATERAL
- S-M — S-M — NEW FORCE MAIN
- ⊙ SC ⊙ NEW CLEAN-OUT
- ⊙ MH ⊙ EXISTING MANHOLE
- ⊙ BLDG NUMBER
- ⊙ DESIGNATED REPAIR NOTES
DN C-2

SEWER SYSTEM RENOVATION BRIDGE CITY CENTER FOR YOUTH

PROJ. NO. 08-403-11-01 PART 1
3225 RIVER ROAD
BRIDGE CITY, LA 70094

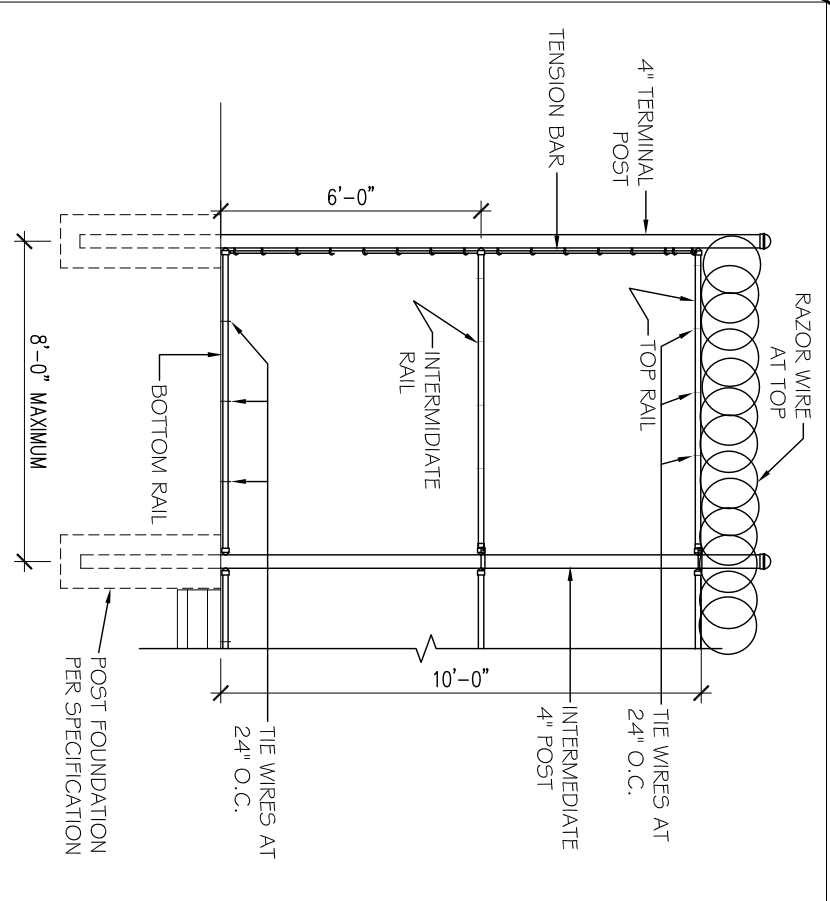
JOB NO:	2156	DATE:	3/7/2014
DRAWN BY:	DPD	CHECKED BY:	BM

CHIEF ENGINEER: BRIAN MISTICH, P.E.
CHIEF ARCHITECT: KEVIN KINCHEN
554 OLD SPANISH TRAIL
SLIDELL, LA 70456

dammoneengineering.com
PHONE: 985-649-5632
FAX: 985-641-5950

REVISIONS		
#	DESCRIPTION	DATE

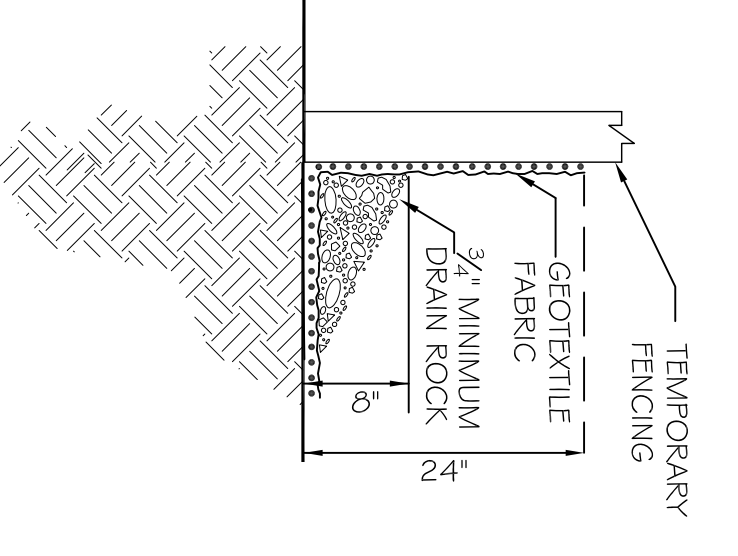
SHEET NO: 04 OF 08
C-3
SITE PLAN



TEMPORARY ON-SITE STORAGE NOTES:
 1. IN PROPOSED STAGING AREA ONLY.
 2. DUMPSTERS SHALL BE CONFINED AND/OR
 3. NO UNAUTHORIZED VEHICLES OF ANY KIND WILL BE
 4. TEMPORARY STORAGE MUST BE SECURED WITH
 5. FENCED OFF AND THE FENCING SECURED WITH
 6. LOCKED GATE AND THE TOP MUST HAVE PERSON
 7. WHILE

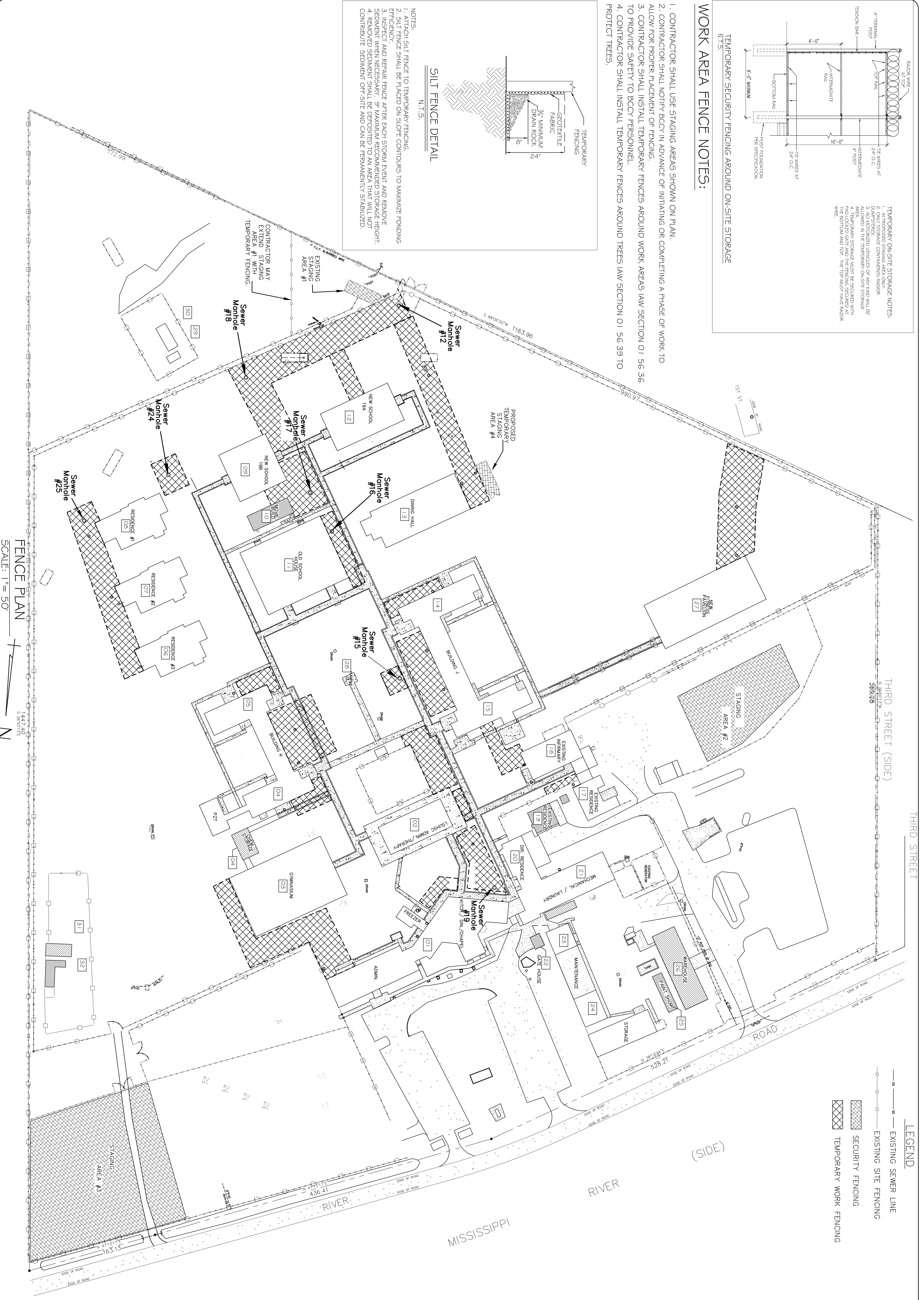
WORK AREA FENCE NOTES:

1. CONTRACTOR SHALL USE STAGING AREAS SHOWN ON PLAN.
2. CONTRACTOR SHALL NOTIFY BCCY IN ADVANCE OF INITIATING OR COMPLETING A PHASE OF WORK TO ALLOW FOR PROPER PLACEMENT OF FENCING.
3. CONTRACTOR SHALL INSTALL TEMPORARY FENCES AROUND WORK AREAS (AW SECTION 01 56 36 TO PROVIDE SAFETY TO BCCY PERSONNEL.
4. CONTRACTOR SHALL INSTALL TEMPORARY FENCES AROUND TREES (AW SECTION 01 56 39 TO PROTECT TREES).

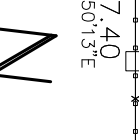


SILT FENCE DETAIL

- NOTES:
 1. ATTACH SILT FENCE TO TEMPORARY FENCING.
 2. SILT FENCE SHALL BE PLACED ON SLOPE CONTIGUOUS TO MAXIMIZE PONDING EFFICIENCY.
 3. INSPECT AND REPAIR FENCE AFTER EACH STORM EVENT AND REMOVE SEDIMENT WHEN NECESSARY. 9" MAXIMUM RECOMMENDED STORAGE HEIGHT.
 4. REMOVED SEDIMENT SHALL BE DEPOSITED TO AN AREA THAT WILL NOT CONTRIBUTE SEDIMENT OFF-SITE AND CAN BE PERMANENTLY STABILIZED.



FENCE PLAN
 SCALE: 1" = 50'



LEGEND

- EXISTING SEWER LINE
- EXISTING SITE FENCING
- ▨ SECURITY FENCING
- ▩ TEMPORARY WORK FENCING

C-4

SHEET No: 05 OF 08

FENCE PLAN

REVISIONS		DATE
#	DESCRIPTION	

SEWER SYSTEM RENOVATION
BRIDGE CITY CENTER FOR YOUTH

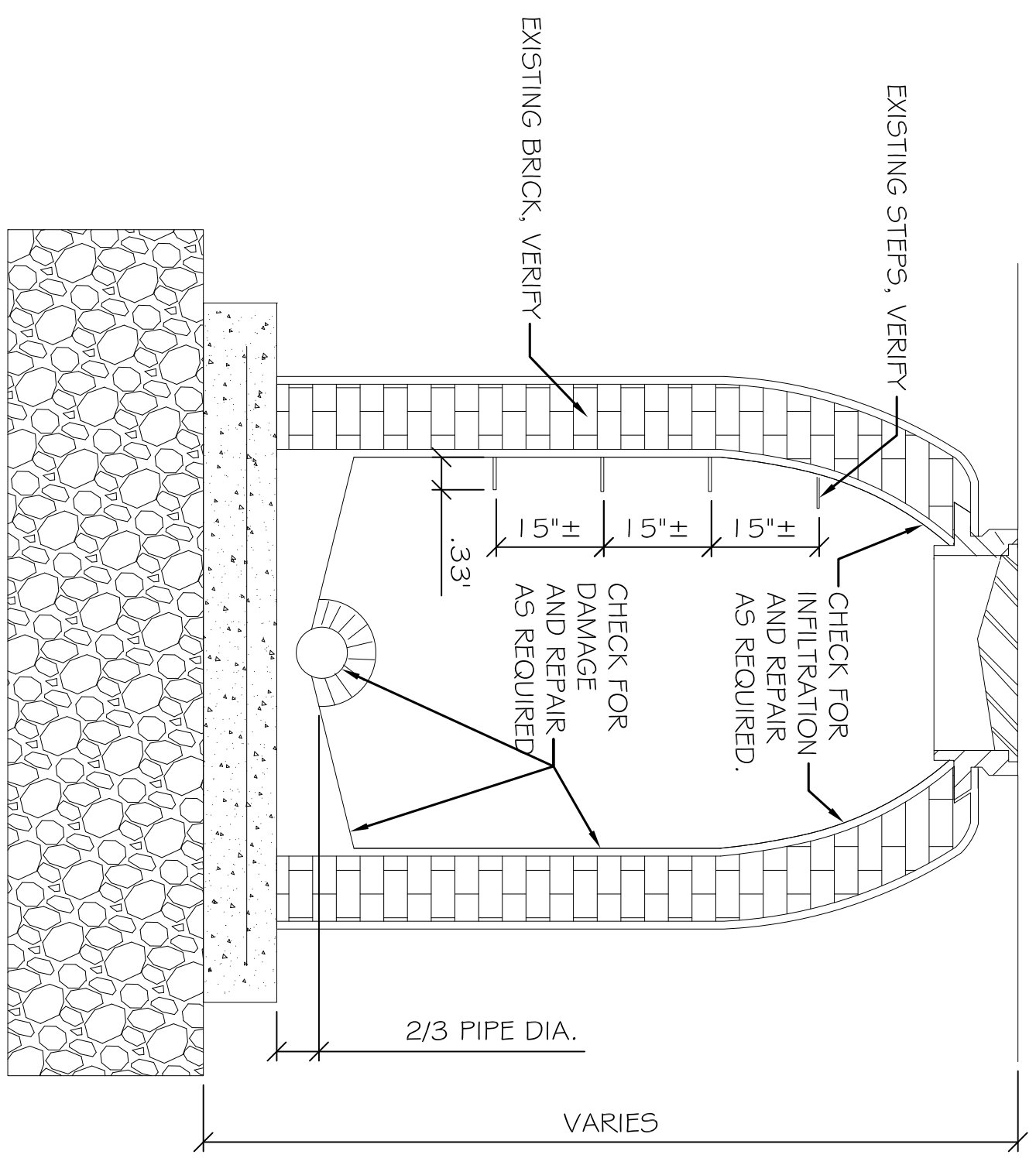
PROJ. NO. 08-403-11-01 PART 1
 3225 RIVER ROAD
 BRIDGE CITY, LA 70004

JOB No: 2156 DATE: 3/7/2014
 DRAWN BY: DPD CHECKED BY: BM

DAMMON
ENGINEERING, INC.
Architects & Engineers

CHIEF ENGINEER, BRIAN MISTICH, P.E.
 CHIEF ARCHITECT, KEVIN KINCHEN
 554 OLD SPANISH TRAIL
 SLIDELL, LA 70456

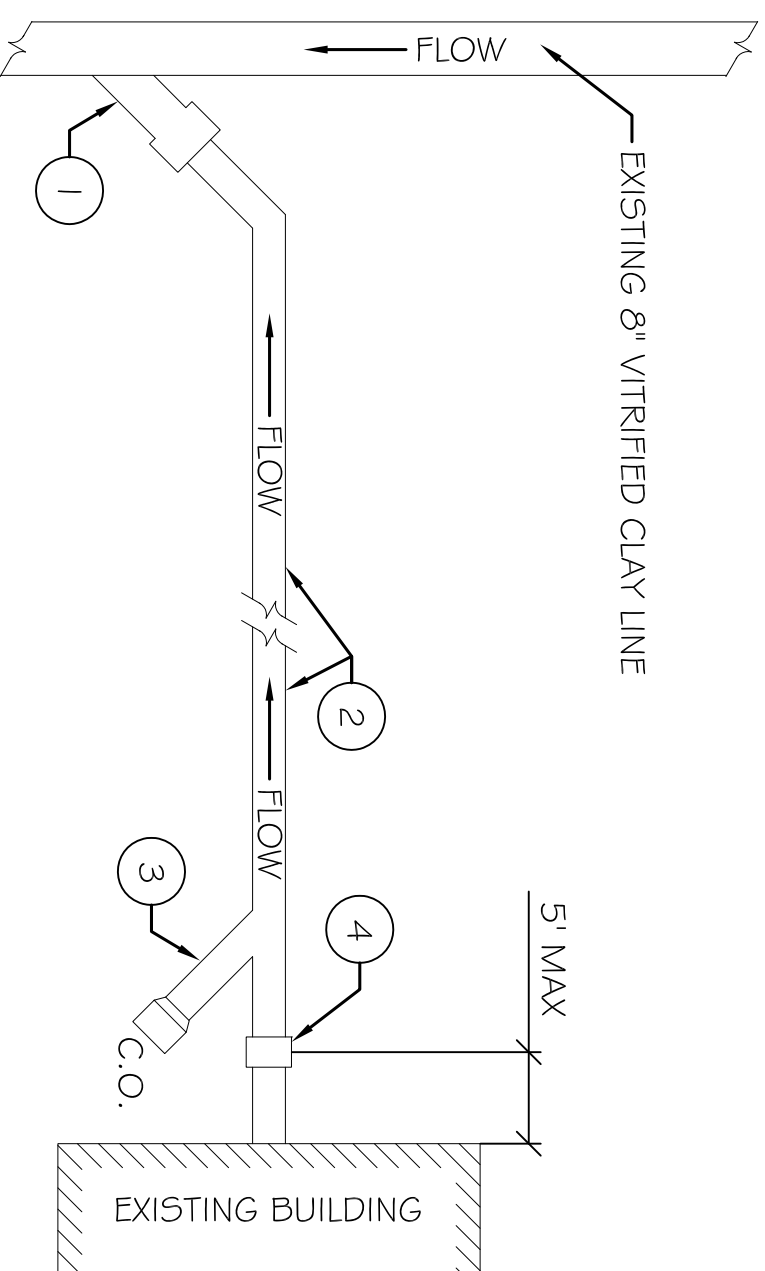
dammoneengineering.com
 PHONE: 985-649-5632
 FAX: 985-641-5950



MANHOLE RENOVATION DETAIL 1

- MANHOLE RENOVATION NOTES
1. INSPECT AND TV MANHOLES FOR ROOT INTRUSION OR INFILTRATION INCLUDING AT MANHOLE FRAME AND ADVISE OWNER AND ARCHITECT. REPAIR AS REQUIRED.
 2. REPAIR EXISTING MANHOLE DAMAGE SUCH AS, BUT NOT LIMITED TO: MISSING MORTAR, MISSING BRICKS, EXPOSED AGGREGATE, EXPOSED REINFORCING STEEL, CRACKS, FINHOLES & BRICK DEGRADATION.
 3. BRICK SHALL CONFORM TO AASHTO DESIGNATION M9.1, MANHOLE BRICK GRADE NIM. MORTAR TO BE NON-SHRINK, POLYMER MODIFIED REPAIR MORTAR.
 4. REPLACE ANY MISSING STEPS AS REQD. STEPS TO BE ALUMINUM ALLOY TO MEET PHYSICAL AND CHEMICAL REQUIREMENTS OF ASTM-B22.1.
 5. PREPARE SURFACE WITH HIGH PRESSURE AND/OR DETERGENT CLEANING. SEE SPECS.
 6. PROPERLY PREPARE FOR AND INSTALL THE RENEWAL COMPONENT SYSTEM IN ACCORDANCE WITH MANUFACTURERS RECOMMENDATIONS, SEE SPECS.

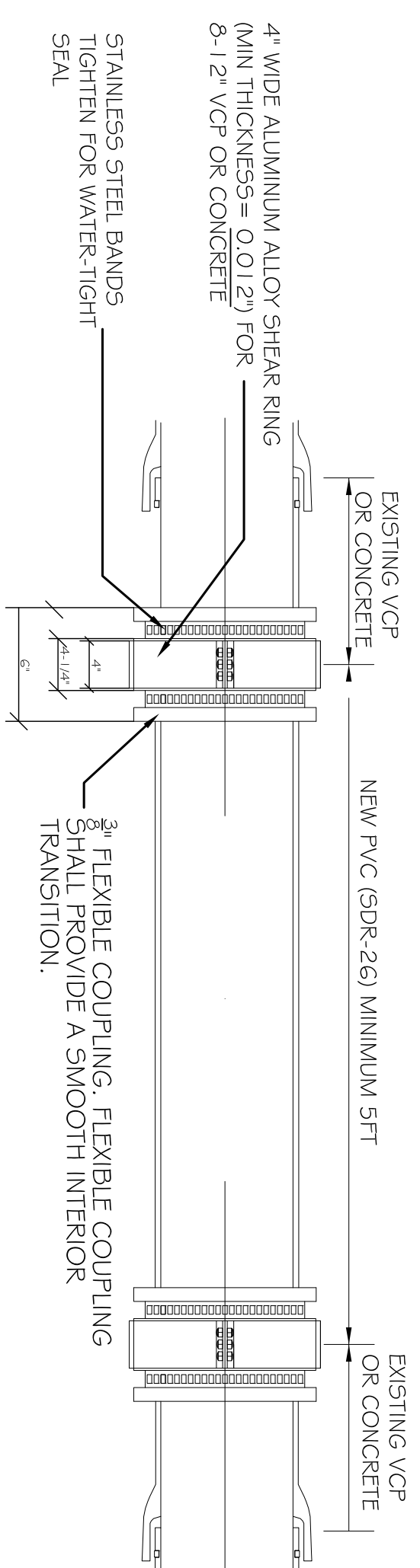
MANHOLE RENOVATION DETAIL 1
N.T.S. C5



SERVICE LATERAL NOTES

1. EVALUATE EXISTING CONNECTION / WYE. REPAIR, REPLACE (VITRIFIED CLAY, CAST IRON) OR PROVIDE NEW TAP SADDLE, FERNCO OR EQUAL.
2. PROVIDE NEW 6"Ø SDR26 PVC PIPE SERVICE LATERAL.
3. EVALUATE EXISTING CLEANOUT. REPAIR, REPLACE, OR PROVIDE NEW. PROVIDE CAST IRON CLEAN OUT BOX AT GRADE IF REQUIRED. SEE SPECS. IF NO CLEAN OUT EXISTS, PROVIDE NEW. SEE DETAIL AND SPECS.
4. EVALUATE CONNECTION / STUB-OUT TO EXISTING BUILDING. PROVIDE PROPER CONNECTION, FERNCO OR EQUAL.

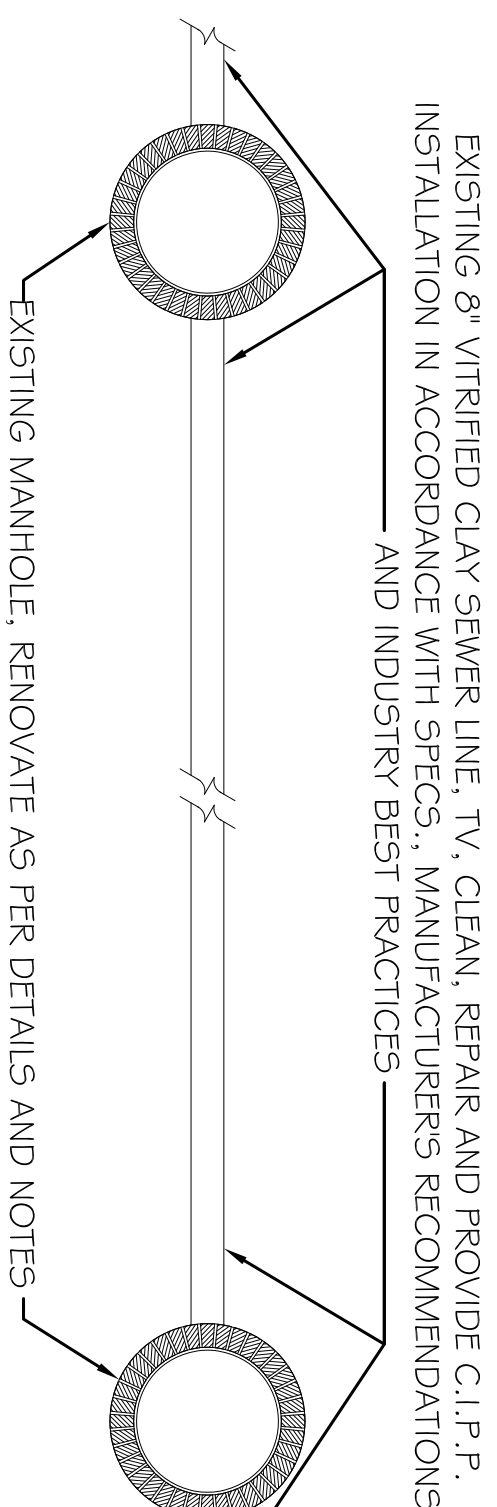
TYP. SERVICE LATERAL SCHEMATIC 5
N.T.S. C5



TYP. 8" VITRIFIED CLAY PIPING REPAIR

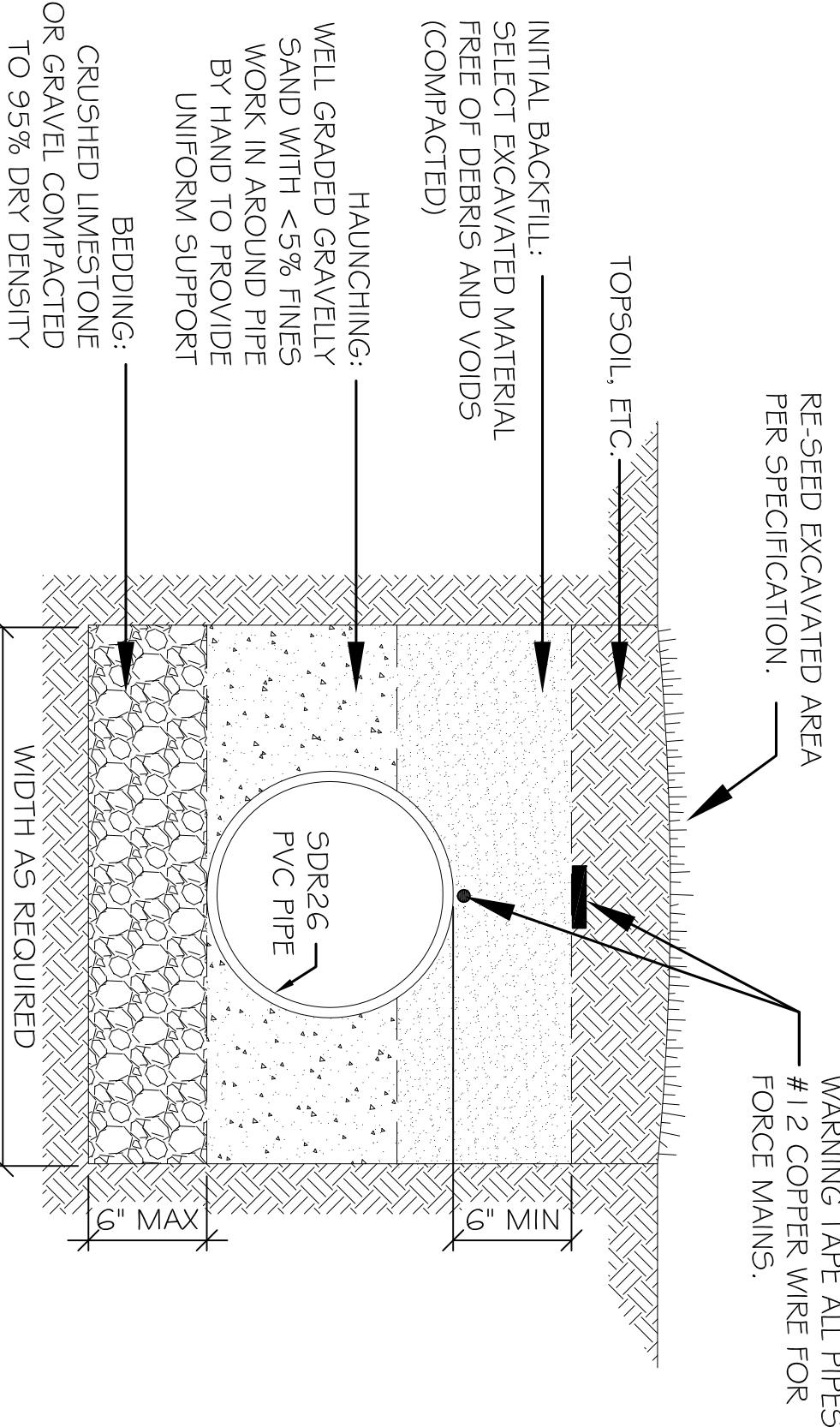
ASTM C1173 FLEXIBLE TRANSITION COUPLING FOR SEWER PIPING 2

N.T.S. C5



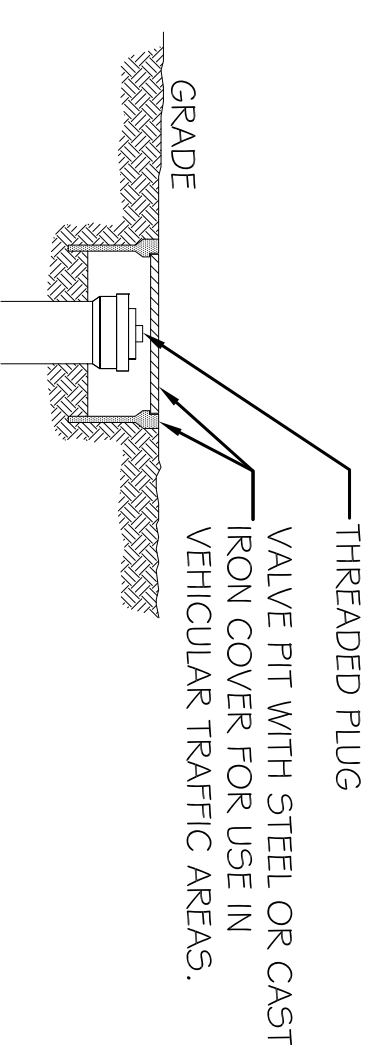
TYP. SCHEMATIC OF 8" EXISTING VITRIFIED LINE, TO BE RENOVATED 3

N.T.S. C5

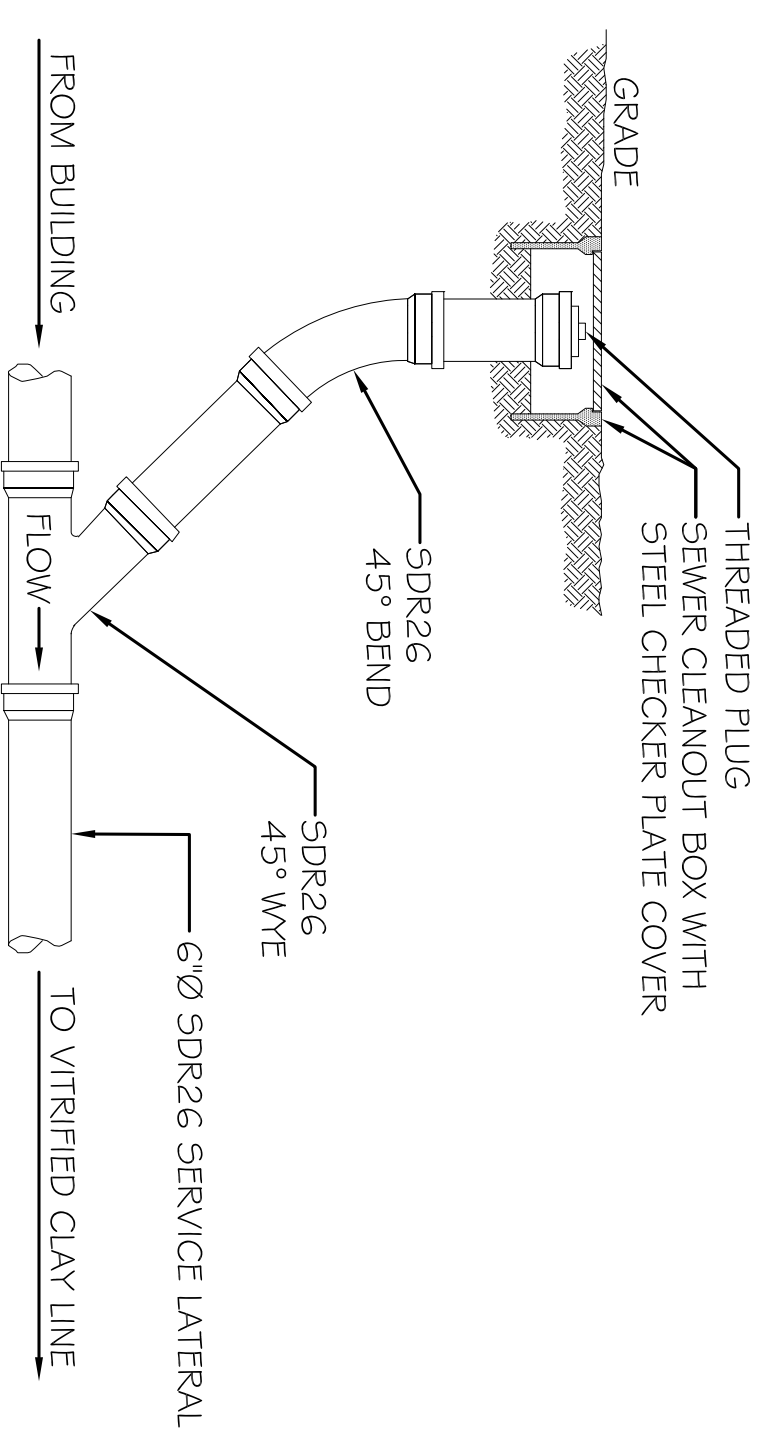


SERVICE LATERAL SECTION 6

N.T.S. C5

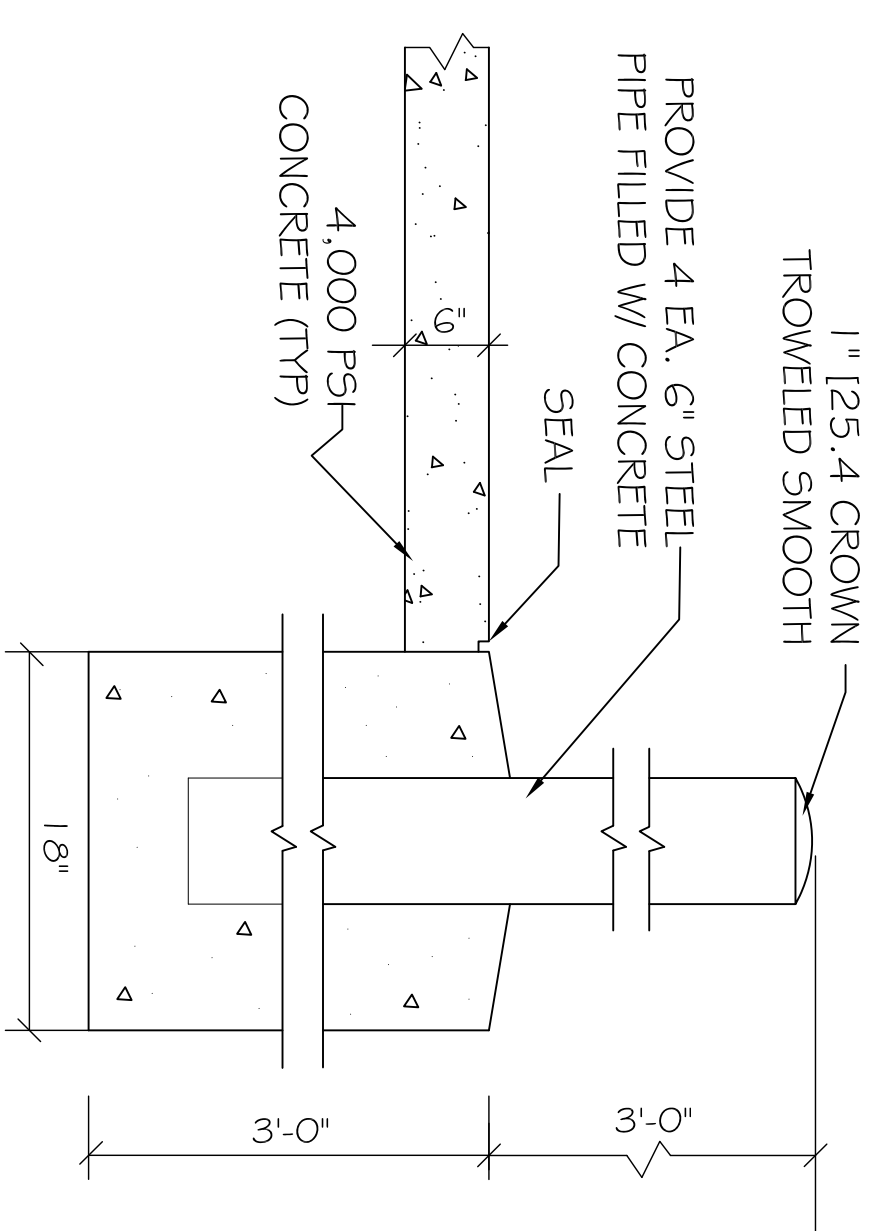


CLEAN-OUT BOX(S) FOR AREAS WITH VEHICULAR TRAFFIC



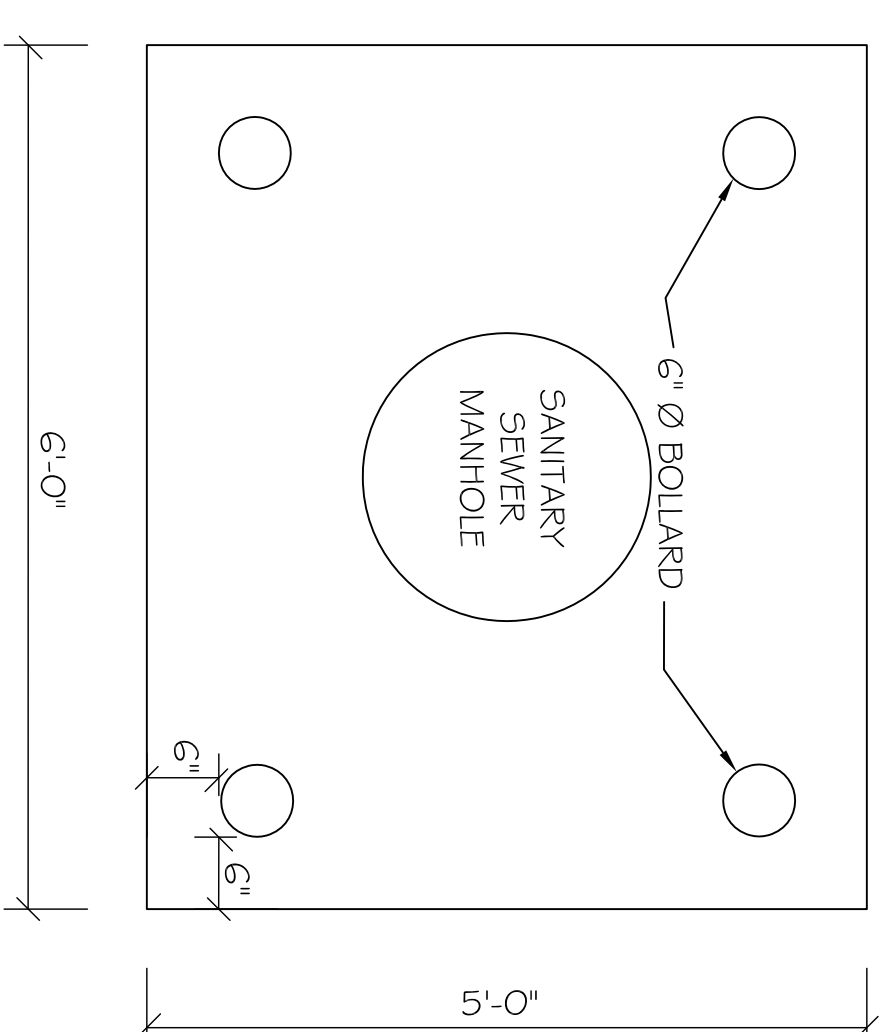
SEWER CLEANOUT DETAIL 7

N.T.S. C5



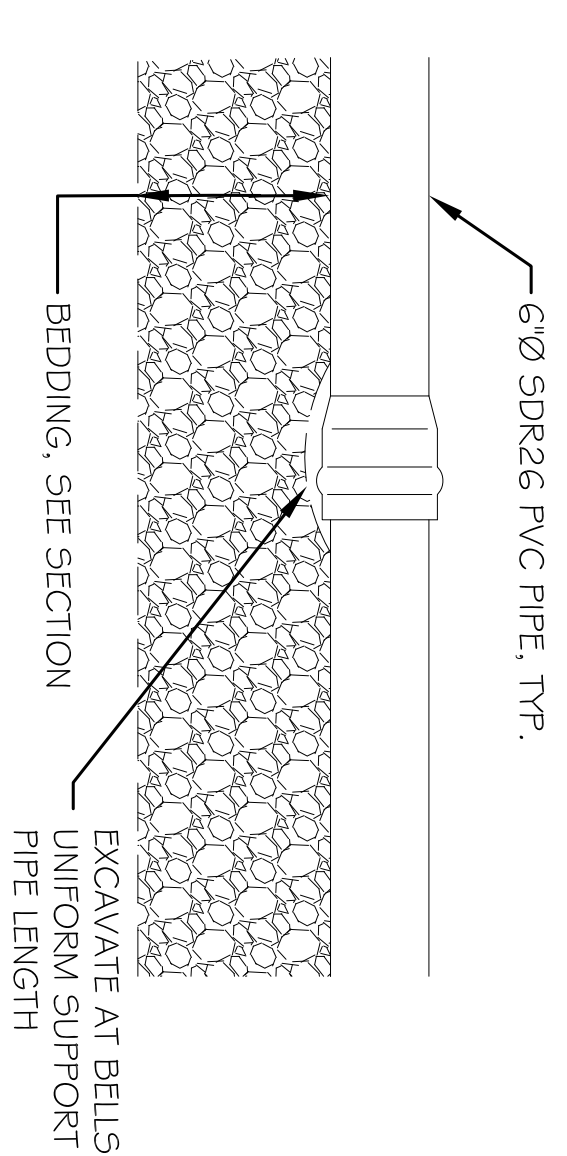
PIPE BOLLARD DETAIL 4

N.T.S. C5



MANHOLE PAD PLAN VIEW 8

N.T.S. C5



SERVICE LATERAL DETAIL 9

N.T.S. C5

SEWER SYSTEM RENOVATION
BRIDGE CITY CENTER FOR YOUTH

PROJ NO. 08-403-11-01 PART 1
3225 RIVER ROAD
BRIDGE CITY, LA 70004

JOB NO: 2156 DATE: 3/7/2014
DRAWN BY: DPD CHECKED BY: BM



DAMMON
ENGINEERING, INC.
Architects & Engineers

CHIEF ENGINEER, BRIAN MISTICH, P.E.
CHIEF ARCHITECT, KEVIN KINCHEN
554 OLD SPANISH TRAIL
SLIDELL, LA 70456

dammoneengineering.com
PHONE: 985-649-5632
FAX: 985-641-5950

REVISIONS

#	DESCRIPTION	DATE

SHEET NO: 06 OF 08

SEWER
DETAILS
1

C-5

