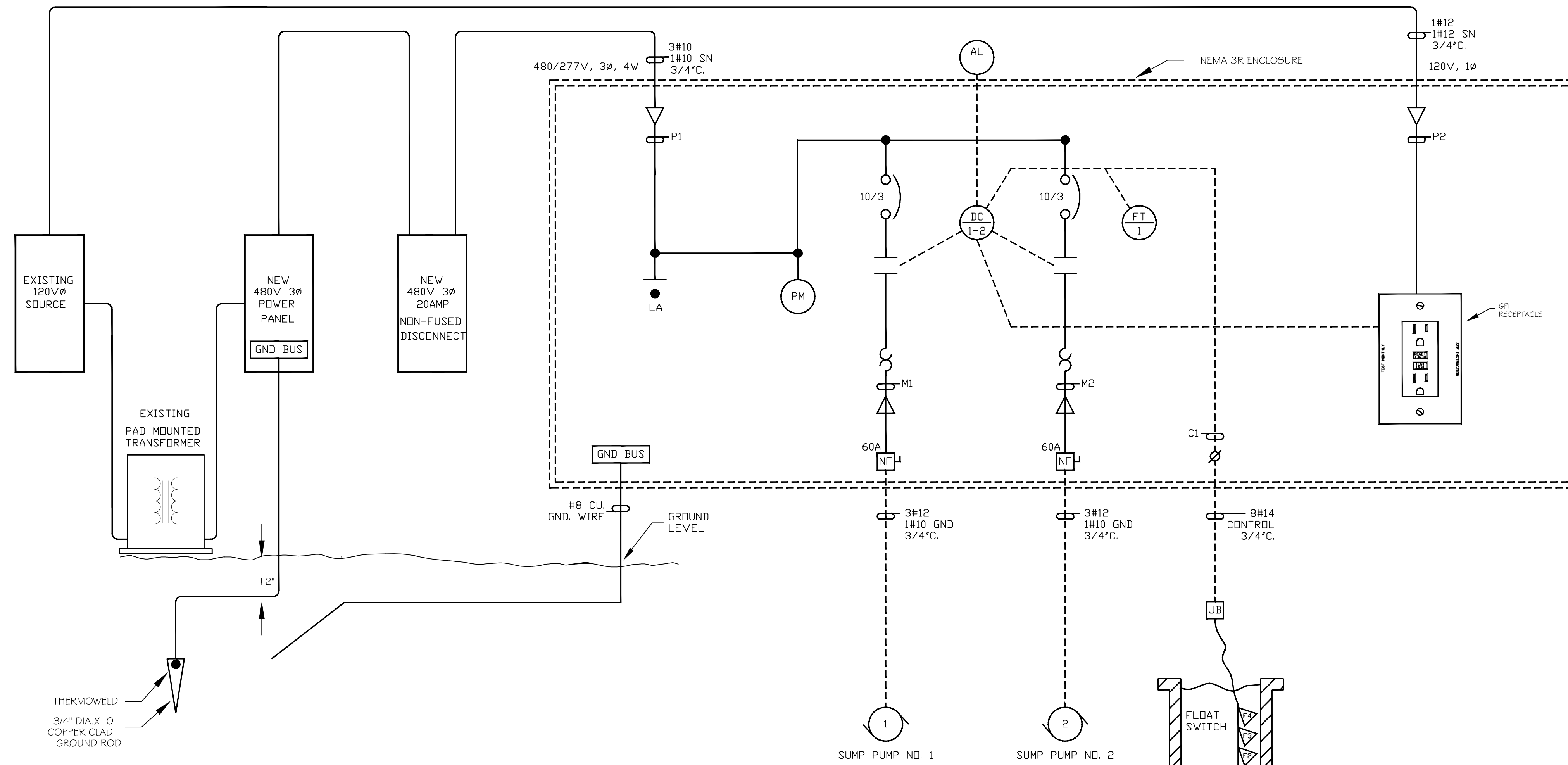
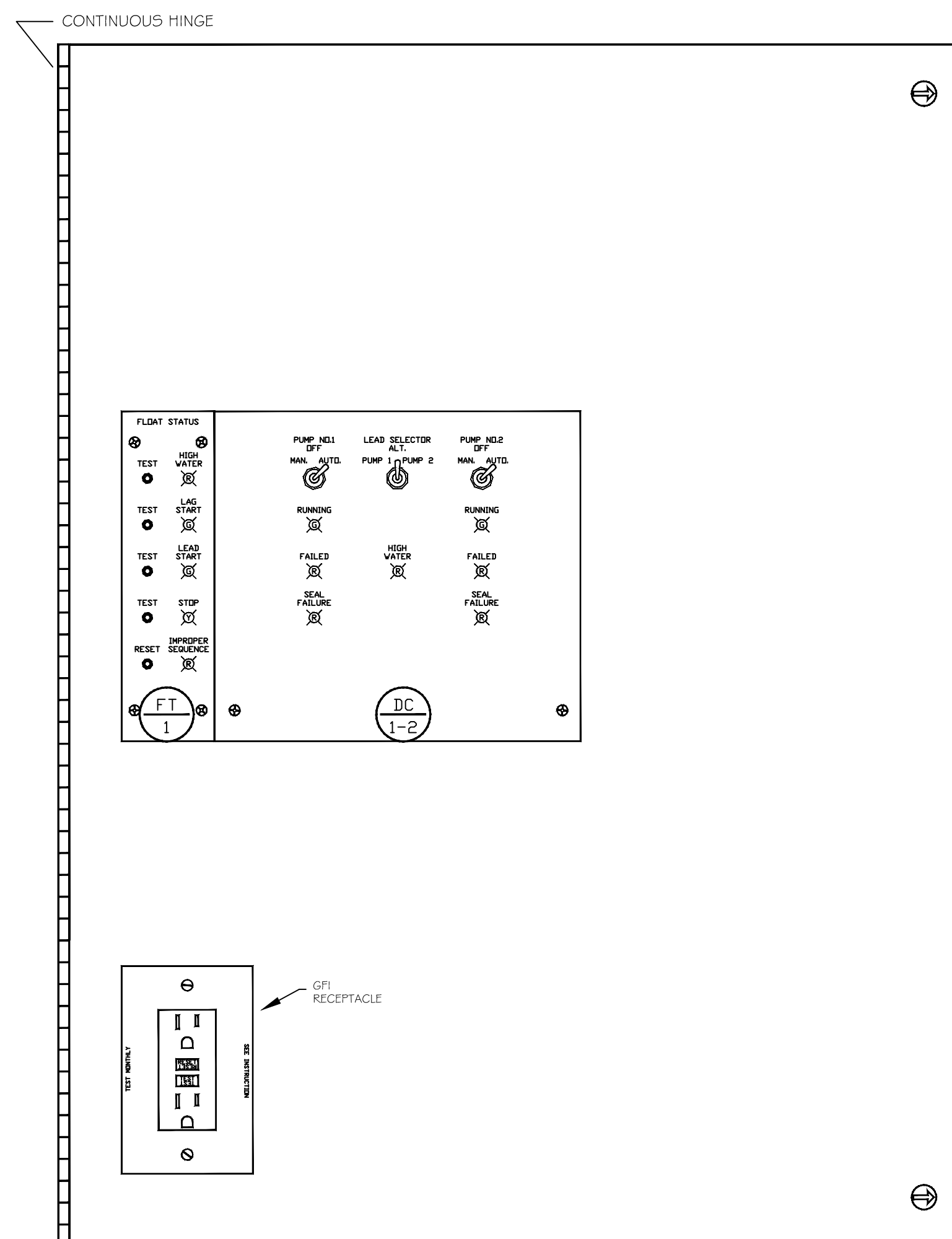
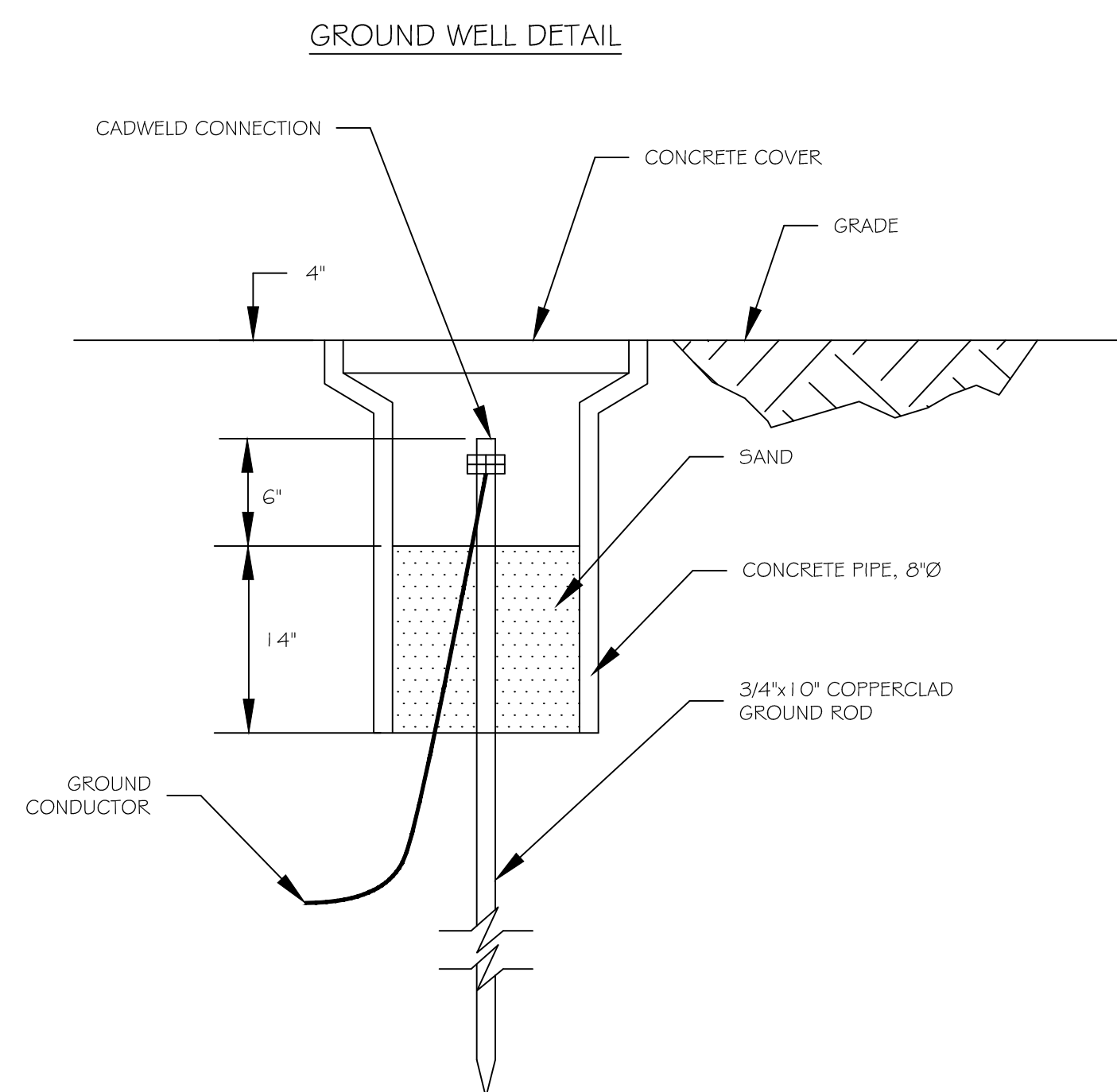


NEMA 3R ENCLOSURE
(24"H x 24"W x 8"D)
OR OTHER APPROVED PRE-DESIGNED
MANUFACTURE ENCLOSURE



CONTROL PANEL
DEADFRONT DETAIL

LIFT STATION CONTROL PANEL
ONE LINE POWER DIAGRAM AND
PROCESS AND INSTRUMENTATION DIAGRAM (P&ID)



LEGEND

	LIGHTNING ARRESTOR -	SEE COMPONENT SPECIFICATIONS
	PHASE MONITOR -	SEE COMPONENT SPECIFICATIONS
	DUPLEX CONTROLLER -	SEE COMPONENT SPECIFICATIONS
	FLDAT TEST -	SEE COMPONENT SPECIFICATIONS
	ALARM LIGHT -	SEE COMPONENT SPECIFICATIONS

NO.	DESCRIPTION	REVISIONS	DATE

SEAL:

SEWER SYSTEM RENOVATION;
 PROJECT NUMBERS: 08-403-11-01 PART 1 &
 08-403-04B-01, PART 20 & 01-107-06B-11, PART 17
BRIDGE CITY CENTER FOR YOUTH

3225 RIVERS ROAD
 BRIDGE CITY, LA 70094
 JOB No: 2156 DATE: 10/12/2016
 DRAWN BY: CHECKED BY:

SHEET TITLE:
**LIFT STATION
 CONTROLS**

DRAWING NUMBER:

E-2