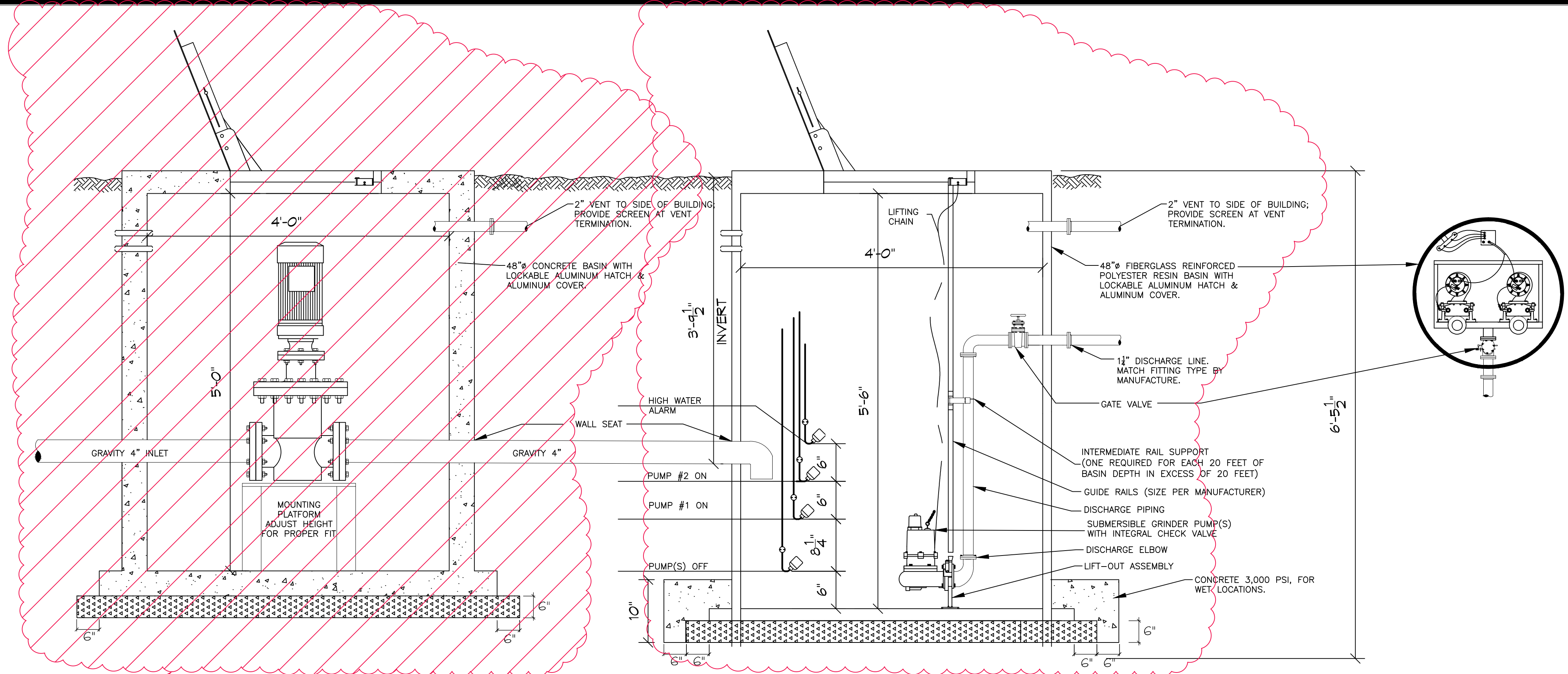


The curves reflect maximum performance characteristics without exceeding full load (Nameplate) horsepower. All pumps have a service factor of 1.2. Operation is recommended in the bounded area with operational point within the curve limit. Performance curves are based on actual tests with clear water at 70° F. and 1280 feet site elevation.

GRINDER PUMP  
N.T.S. PENTAIR GRINDER PUMP, HPG200, CURVE C7

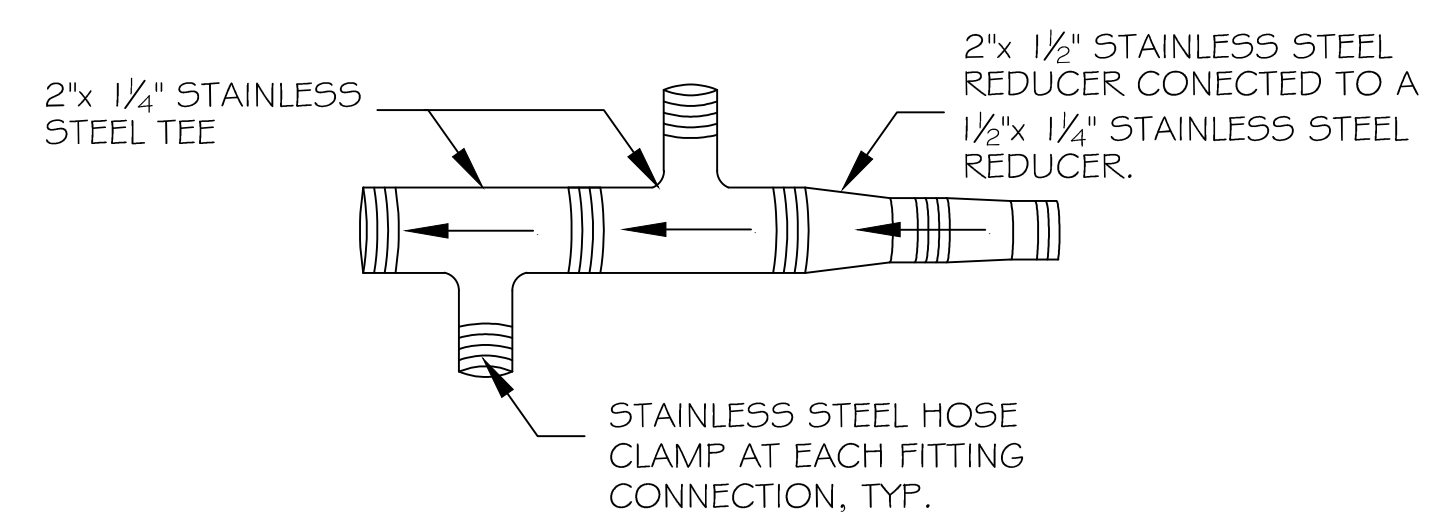


PUMP DATA  
DUPLX GRINDER PUMP  
20 GPM @ 9 TDH

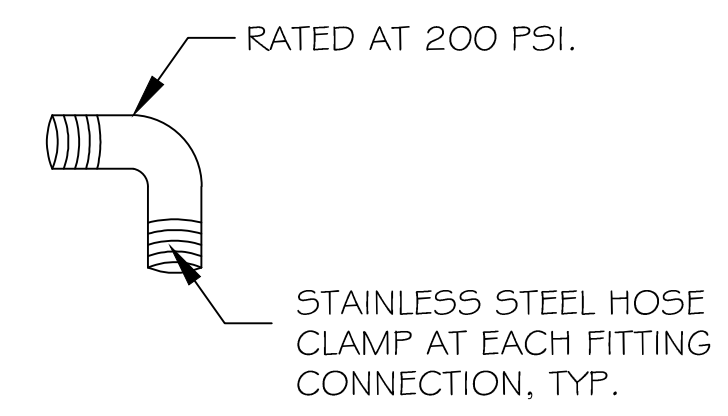
GRINDER UNIT FUTURE EXPANSION

DUPLX LIFT STATION DETAIL  
N.T.S.

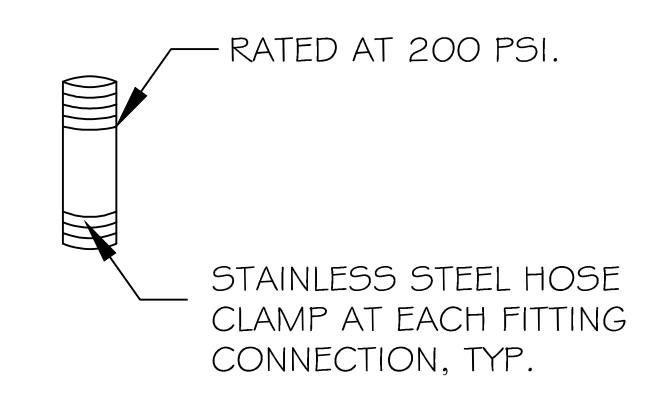
4  
C7



MULIPLE FORCE MAIN CONNECTIONS  
N.T.S.



FORCE MAIN 1/4\"/>



FORCE MAIN 1/4\"/>

**DAMMON ENGINEERING, INC.**  
554 Old Spanish Trail, Suite 101, St. Charles, LA 70458  
www.dammonengineering.com  
info@dammonengineering.com  
985.646.5632

Chief Engineer: Brian Mistich, PE  
554 Old Spanish Trail  
St. Charles, LA 70458

#	DESCRIPTION	DATE
1	REVISED LIFT STATION WET WELL AND INCLUDED GRINDER UNIT DRY WELL FOR FUTURE EXPANSION	3/14/2016

SEAL:

SEWER SYSTEM RENOVATION:  
PROJECT NUMBERS: 08-408-11-01 PART 1 & 08-408-04B-01, PART 20 & 01-107-06B-11, Part U7  
**BRIDGE CITY CENTER FOR YOUTH**  
3225 RIVER ROAD  
BRIDGE CITY, LA 70094  
JOB NO: 2156 DATE: 10/1/2016  
DRAWN BY: CHECKED BY:

SHEET TITLE:  
**LIFT STATION DETAILS**  
DRAWING NUMBER:  
**C-5**  
SHEET No: 2 of 2