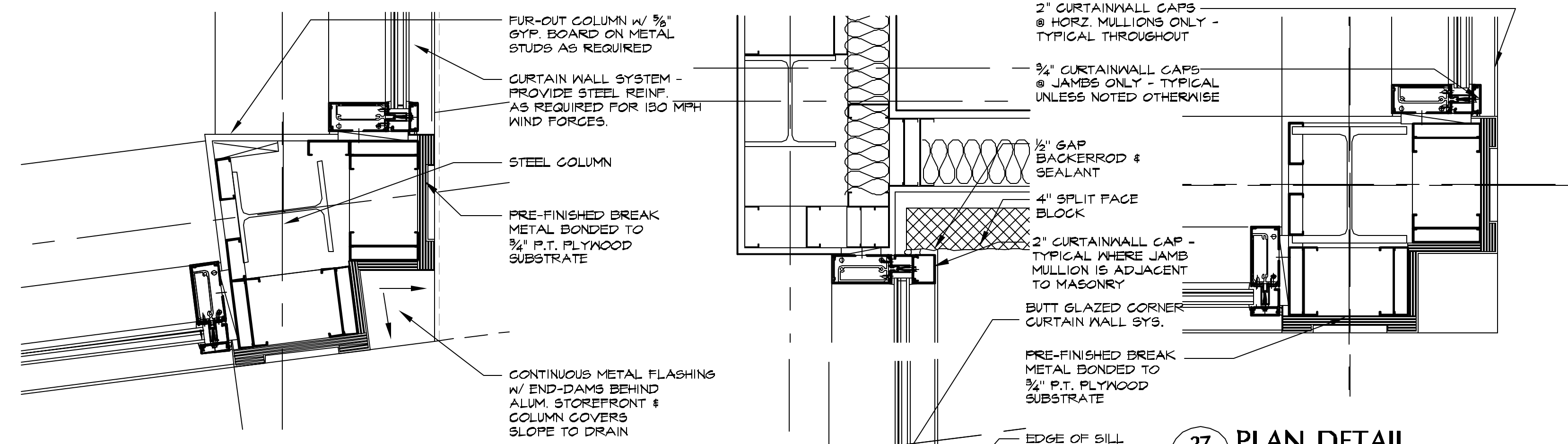


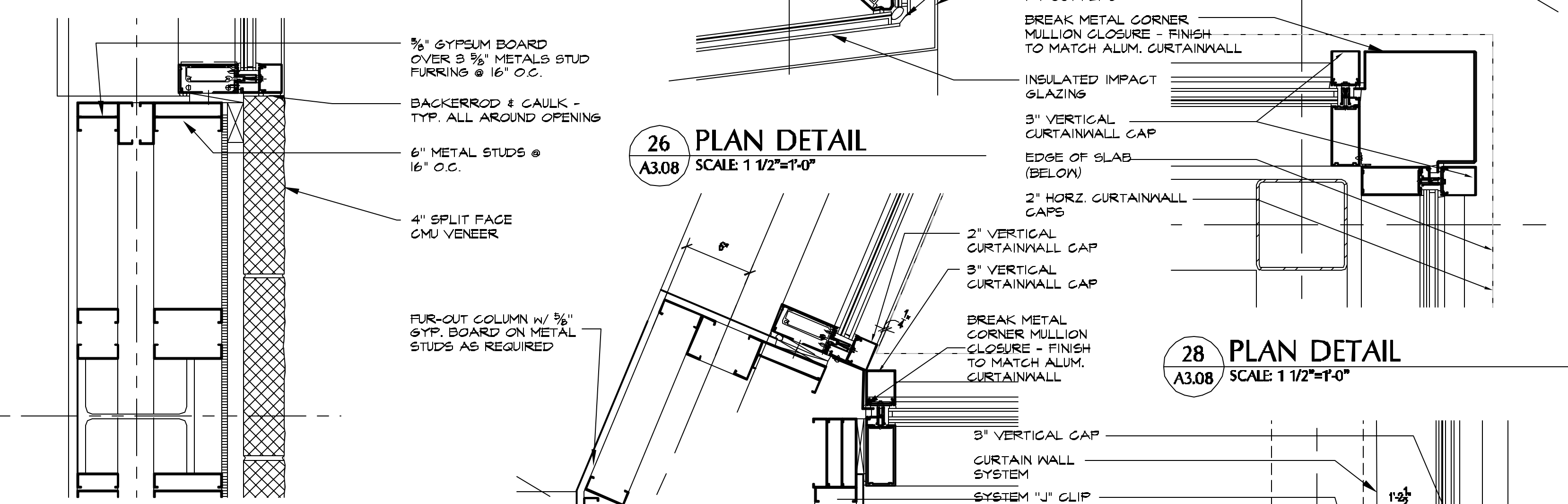
24 PLAN DETAIL A3.08 SCALE 1 1/2"=1'-0"

23 PLAN DETAIL A3.08 SCALE 1 1/2"=1'-0"



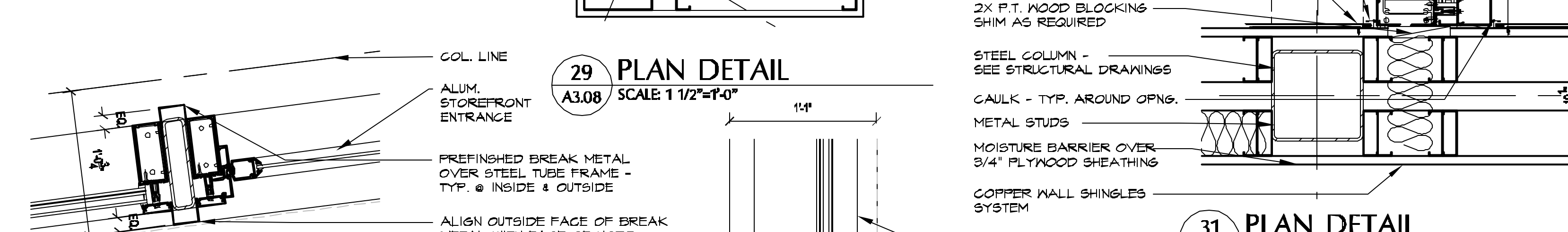
25 PLAN DETAIL A3.08 SCALE 1 1/2"=1'-0"

27 PLAN DETAIL A3.08 SCALE 1 1/2"=1'-0"



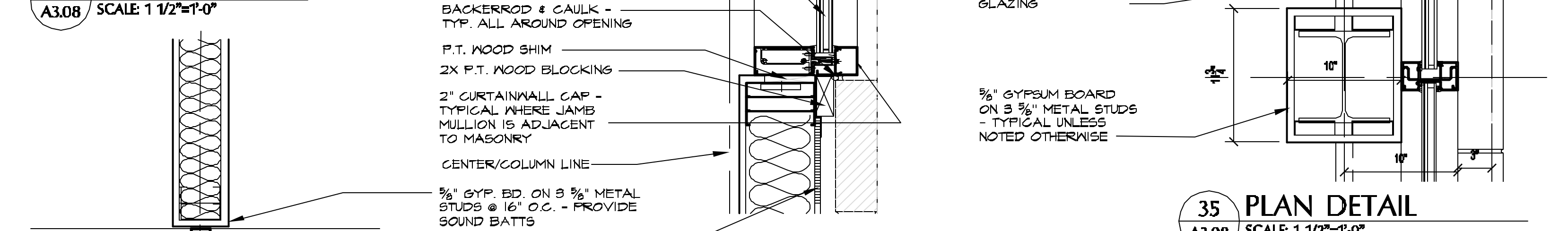
26 PLAN DETAIL A3.08 SCALE 1 1/2"=1'-0"

28 PLAN DETAIL A3.08 SCALE 1 1/2"=1'-0"



29 PLAN DETAIL A3.08 SCALE 1 1/2"=1'-0"

31 PLAN DETAIL A3.08 SCALE 1 1/2"=1'-0"



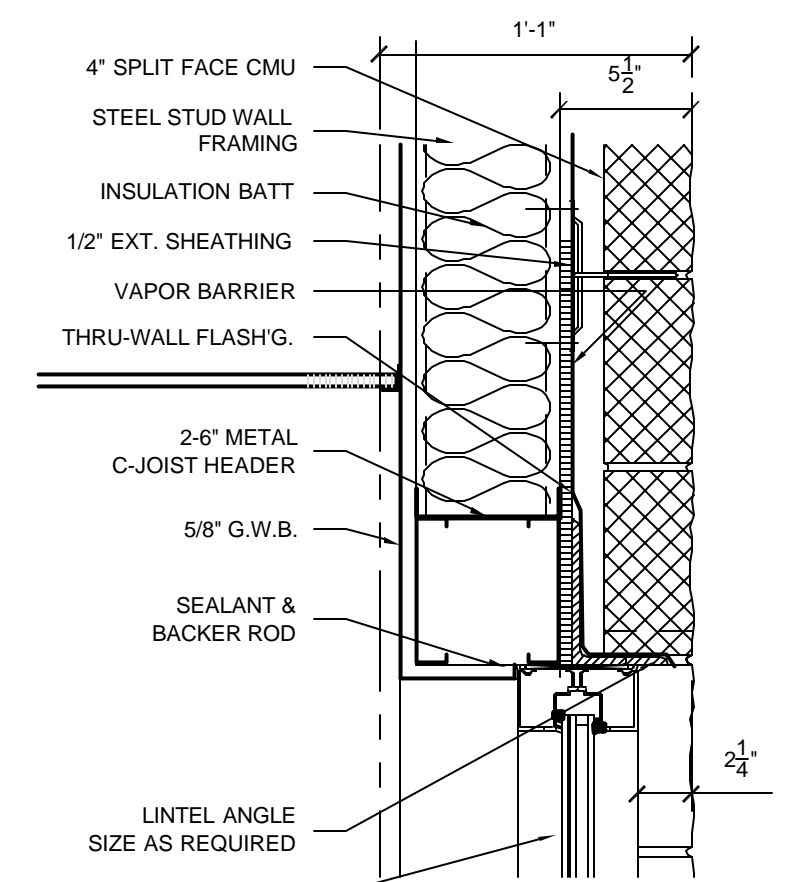
33 PLAN DETAIL A3.08 SCALE 1 1/2"=1'-0"

35 PLAN DETAIL A3.08 SCALE 1 1/2"=1'-0"

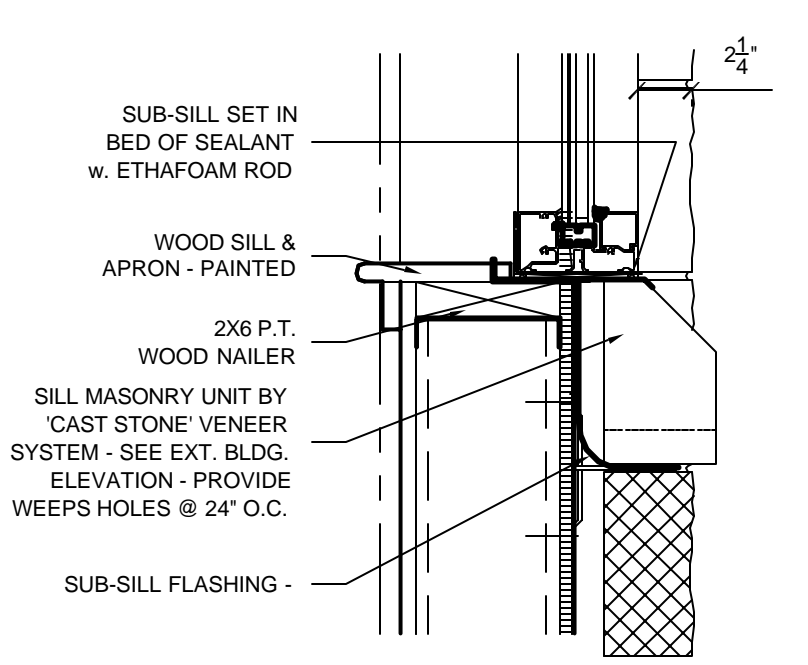


34 PLAN DETAIL A3.08 SCALE 1 1/2"=1'-0"

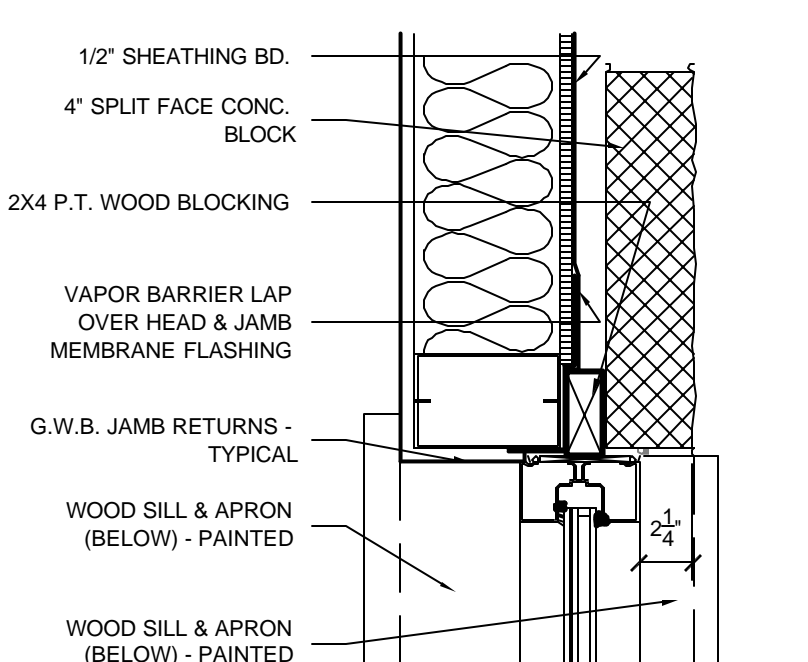
36 PLAN DETAIL A3.08 SCALE 1 1/2"=1'-0"



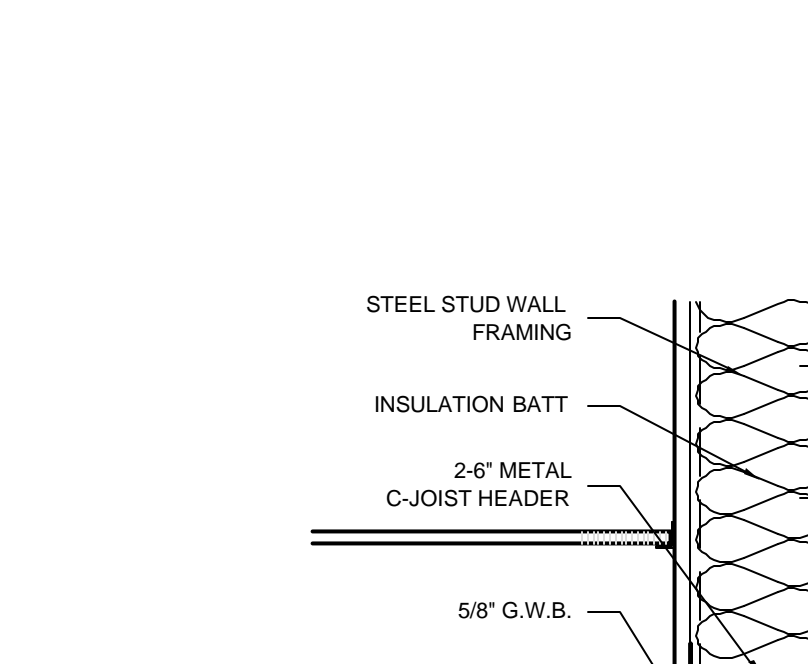
21 STOREFRONT HEAD A3.08 SCALE 1 1/2"=1'-0"



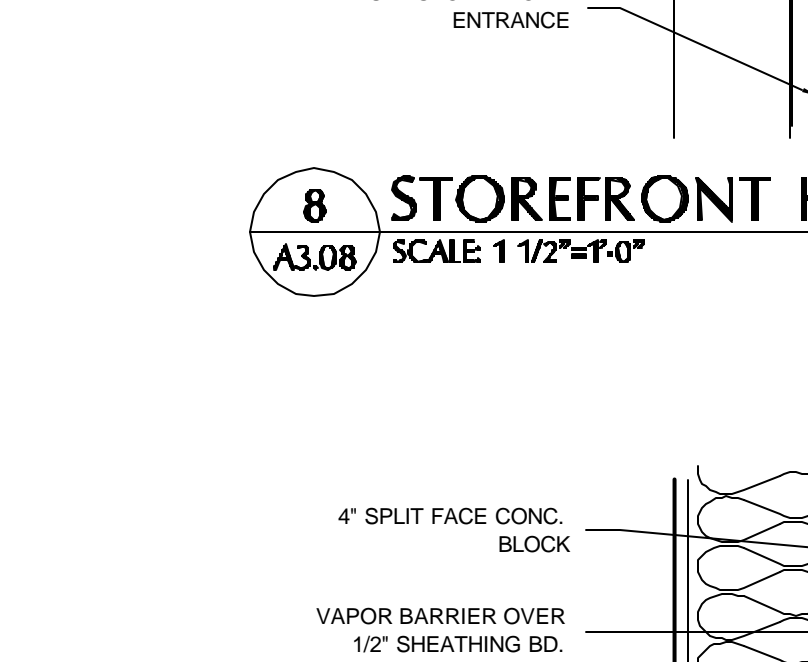
20 STOREFRONT SILL A3.08 SCALE 1 1/2"=1'-0"



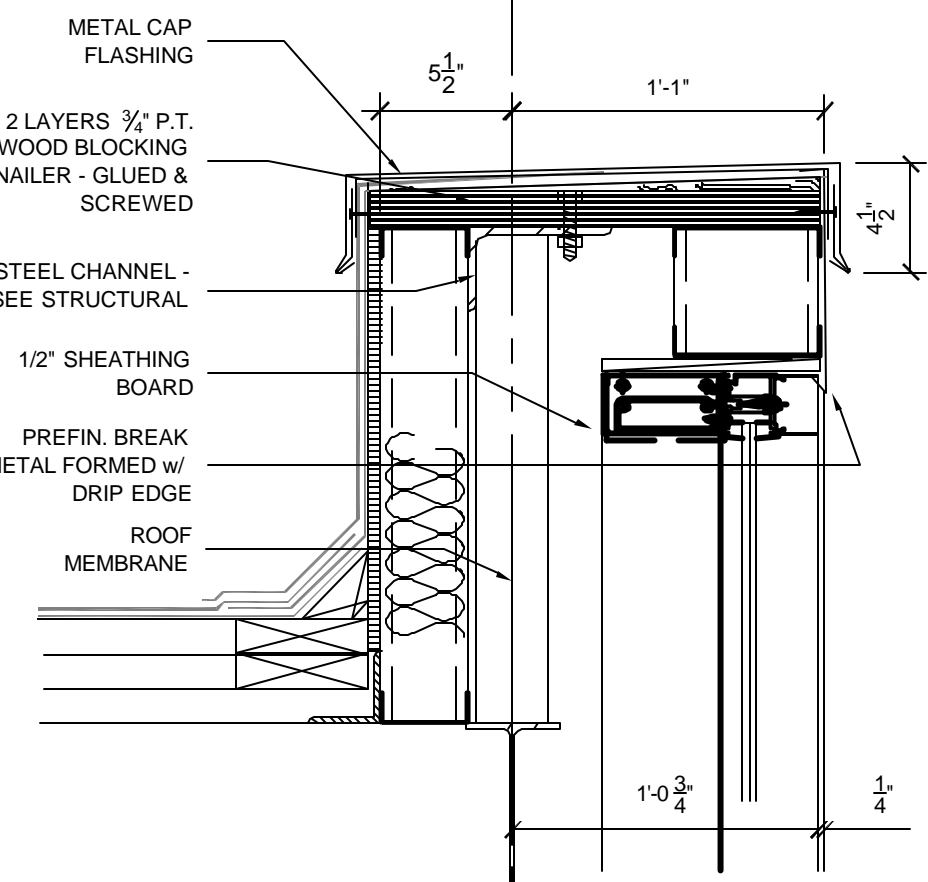
19 STOREFRONT JAMB A3.08 SCALE 1 1/2"=1'-0"



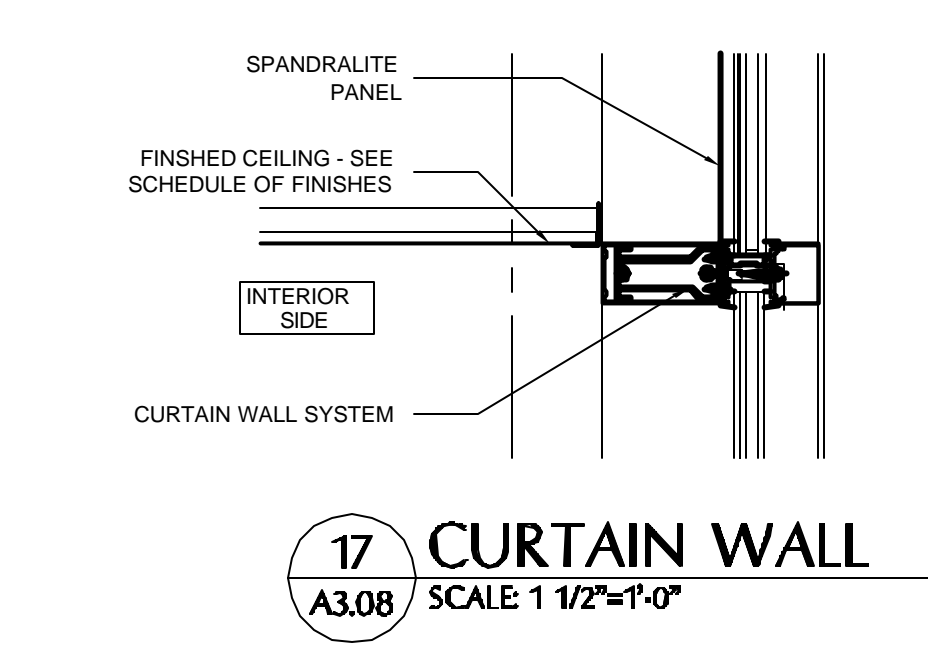
8 STOREFRONT HEAD A3.08 SCALE 1 1/2"=1'-0"



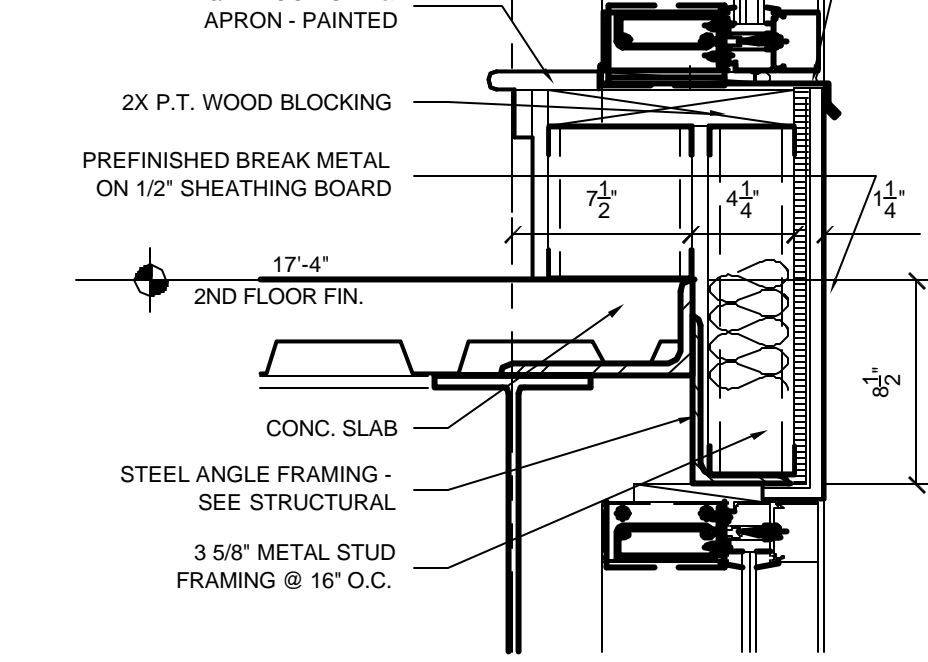
7 STOREFRONT JAMB A3.08 SCALE 1 1/2"=1'-0"



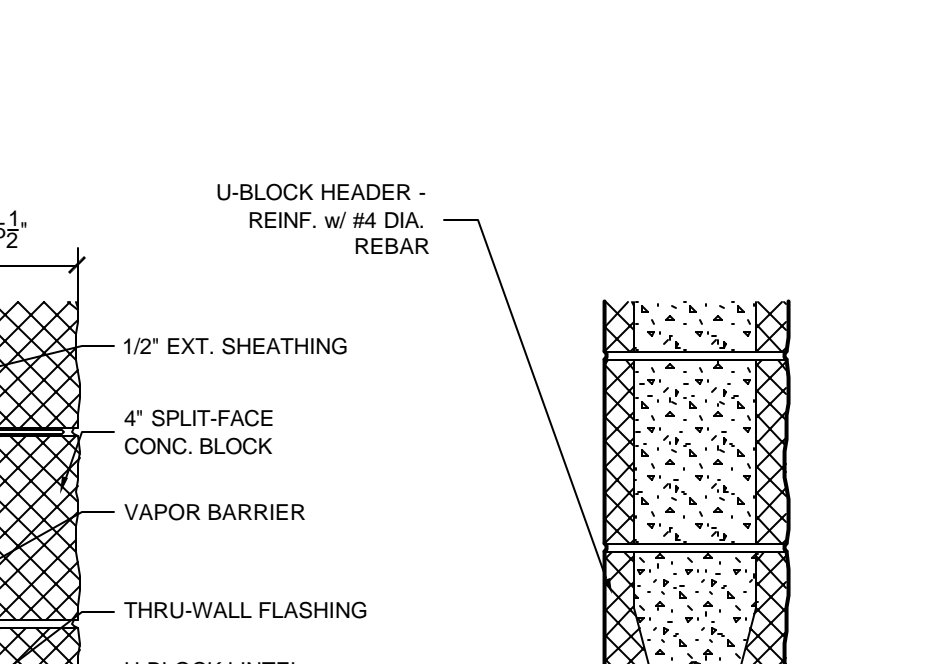
18 CURTAIN WALL A3.08 SCALE 1 1/2"=1'-0"



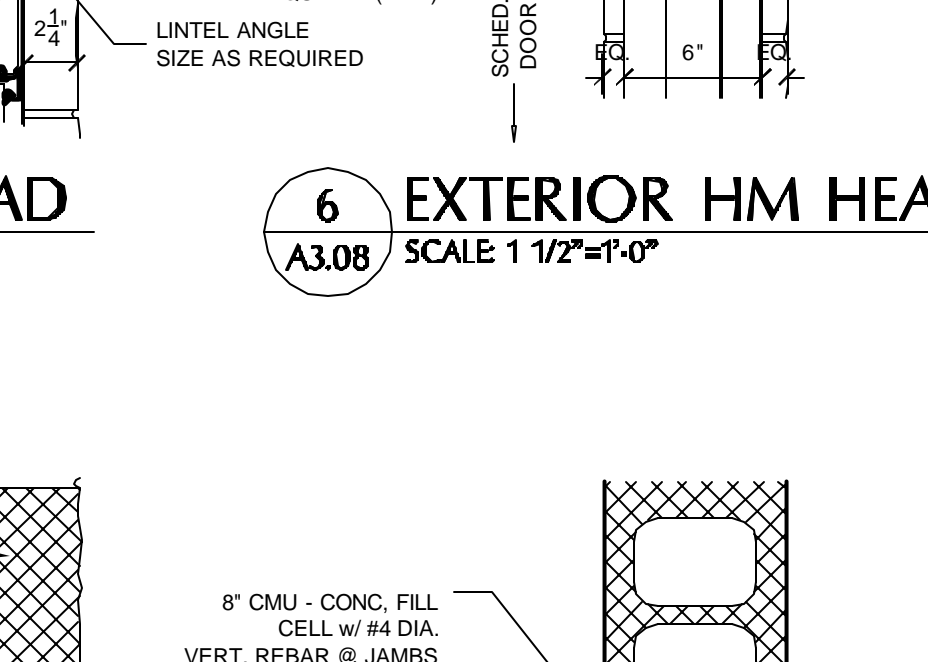
17 CURTAIN WALL A3.08 SCALE 1 1/2"=1'-0"



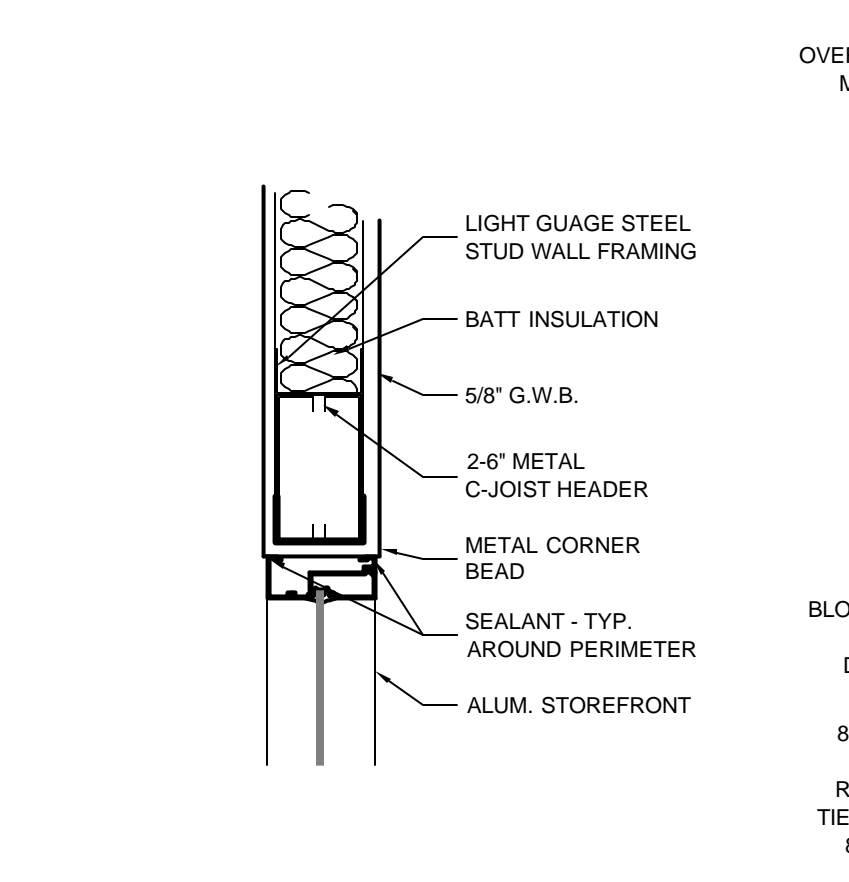
16 CURTAIN WALL SILLHEAD A3.08 SCALE 1 1/2"=1'-0"



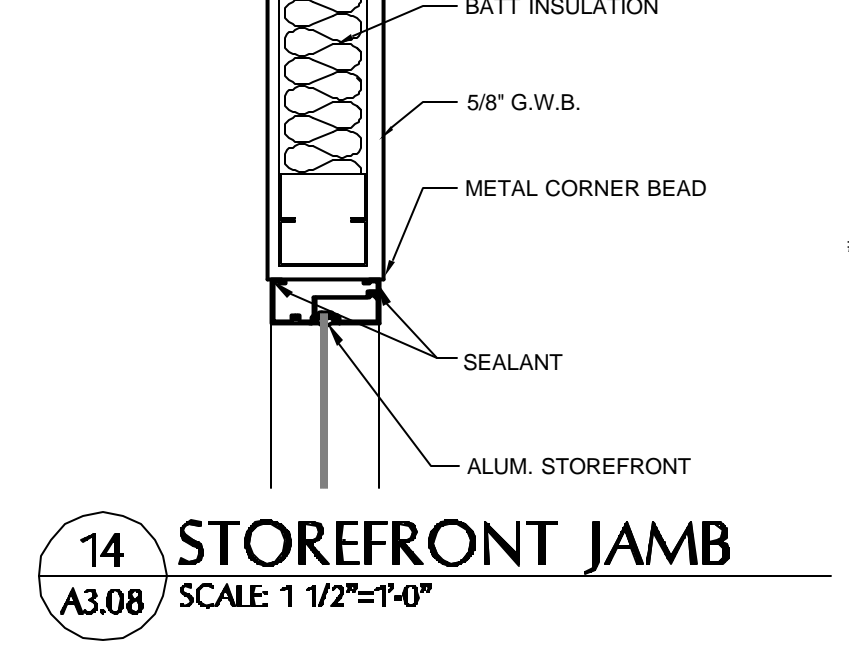
6 EXTERIOR HM HEAD A3.08 SCALE 1 1/2"=1'-0"



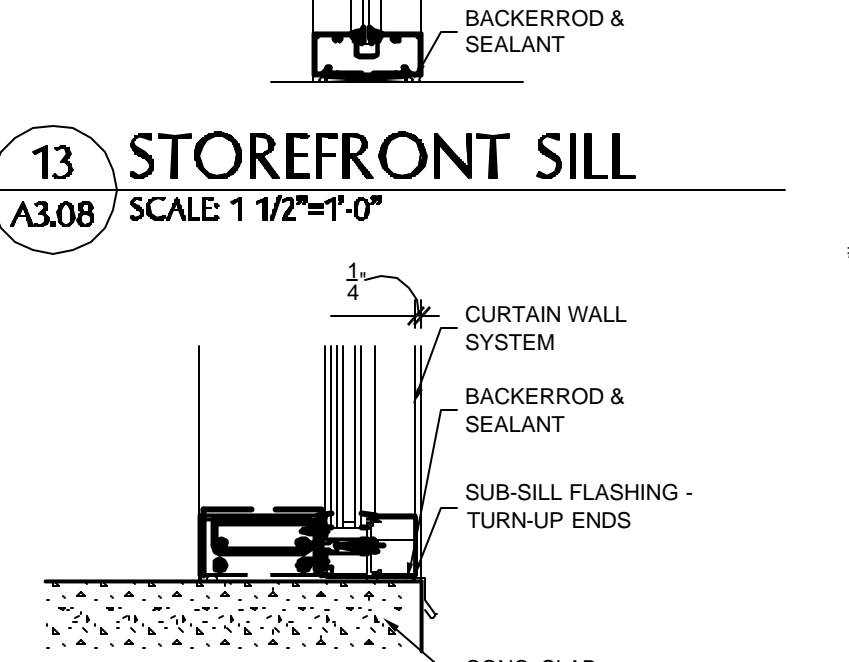
5 EXTERIOR HM JAMB A3.08 SCALE 1 1/2"=1'-0"



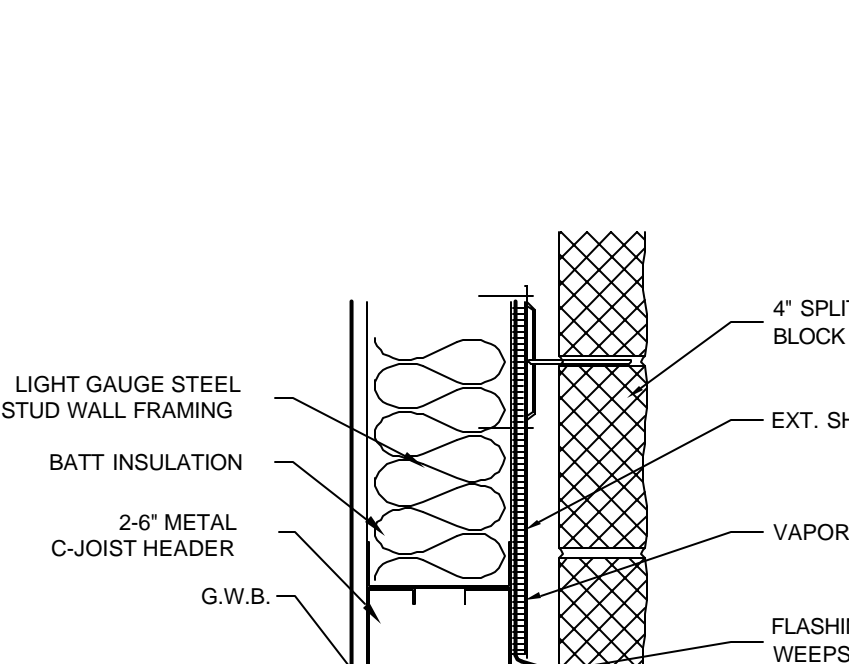
15 STOREFRONT HEAD A3.08 SCALE 1 1/2"=1'-0"



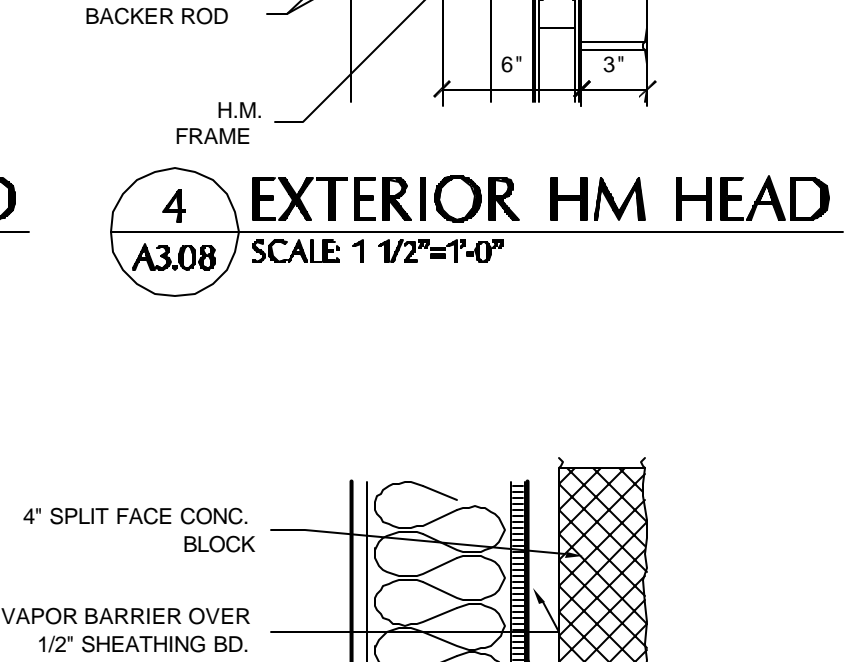
14 STOREFRONT JAMB A3.08 SCALE 1 1/2"=1'-0"



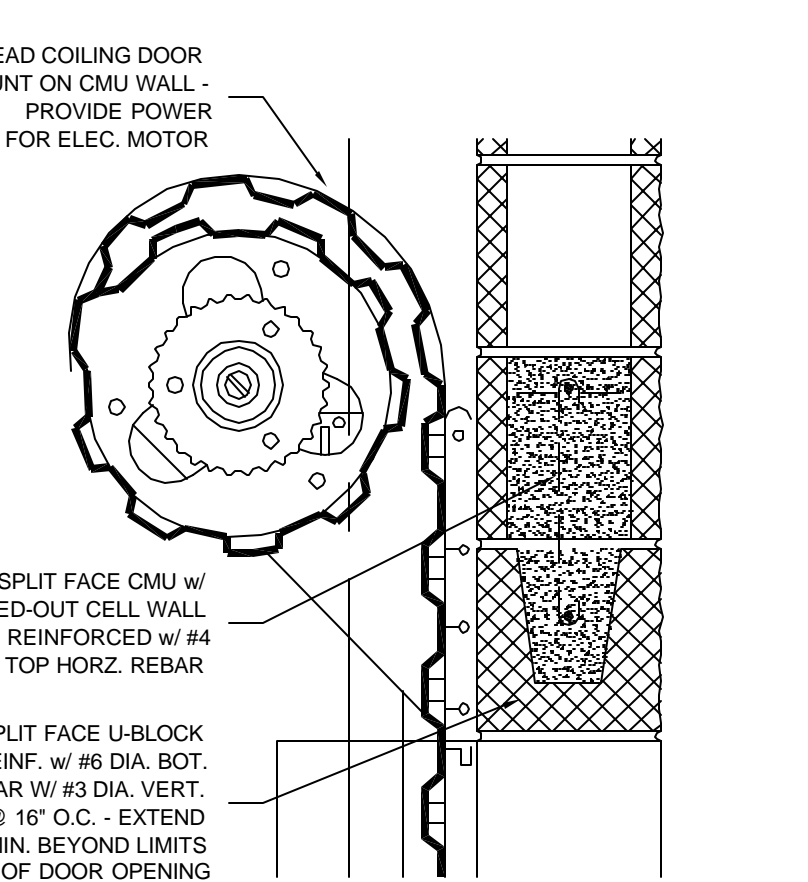
13 STOREFRONT SILL A3.08 SCALE 1 1/2"=1'-0"



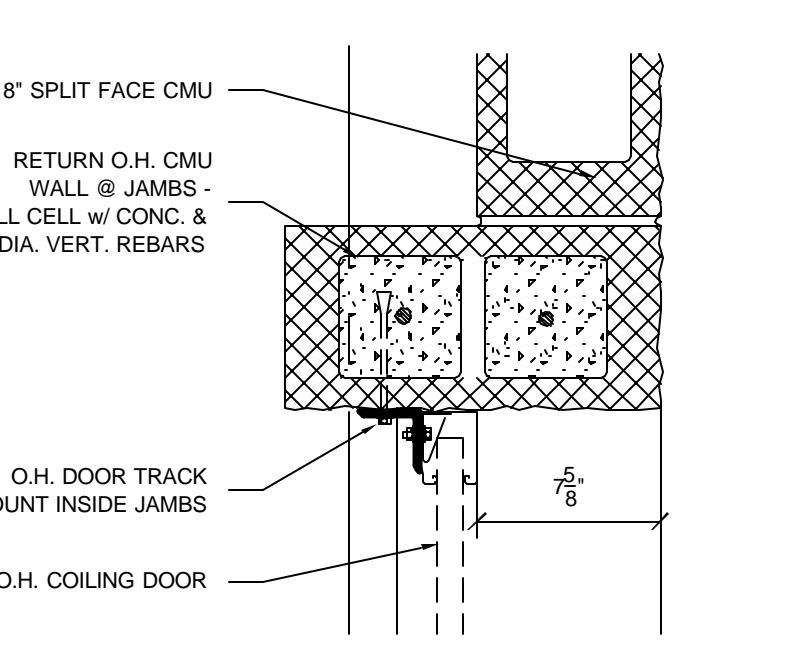
4 EXTERIOR HM HEAD A3.08 SCALE 1 1/2"=1'-0"



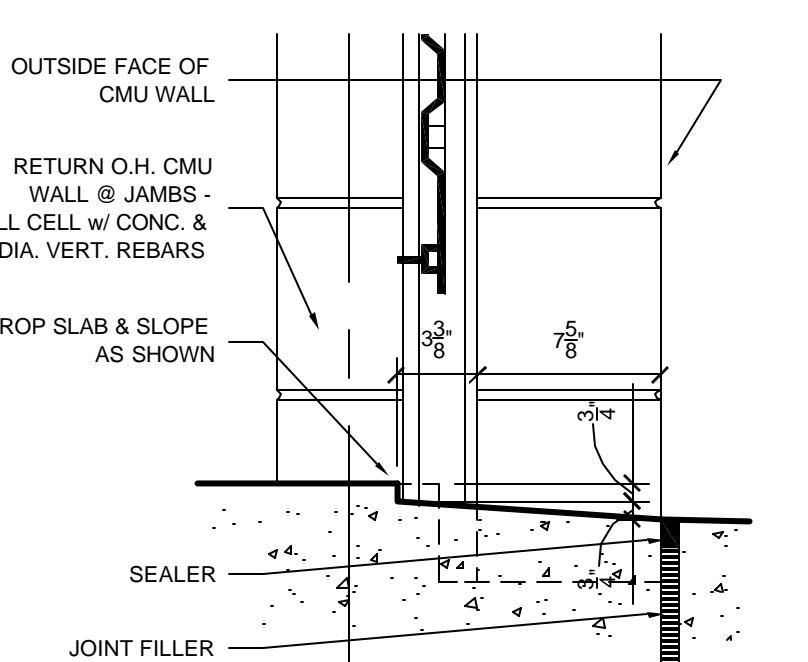
3 EXTERIOR HM JAMB A3.08 SCALE 1 1/2"=1'-0"



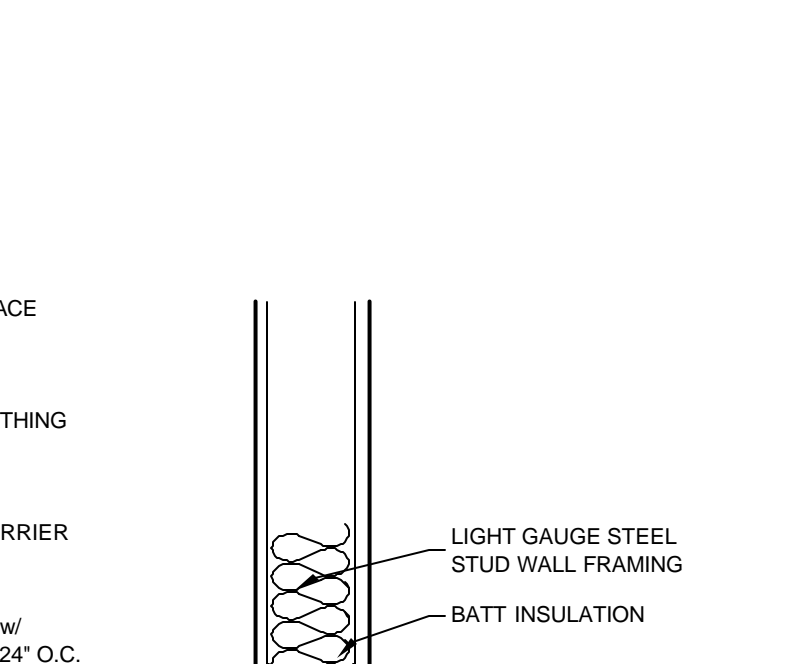
11 ROLLUP DOOR HEAD A3.08 SCALE 1 1/2"=1'-0"



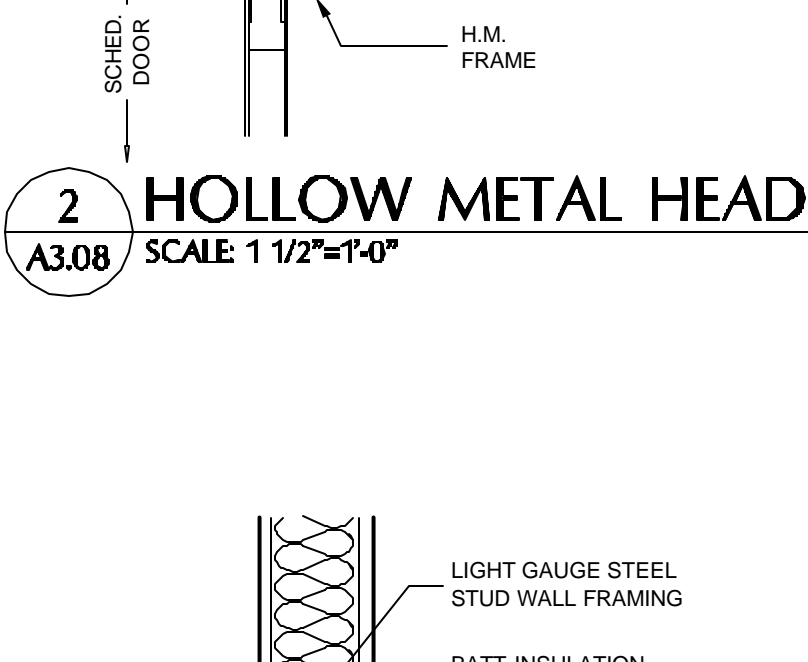
10 ROLLUP DOOR JAMB A3.08 SCALE 1 1/2"=1'-0"



12 CURTAIN WALL SILL A3.08 SCALE 1 1/2"=1'-0"



2 HOLLOW METAL HEAD A3.08 SCALE 1 1/2"=1'-0"



1 HOLLOW METAL JAMB A3.08 SCALE 1 1/2"=1'-0"