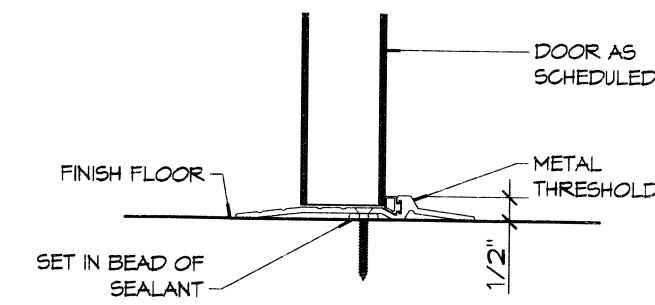


DOOR SCHEDULE

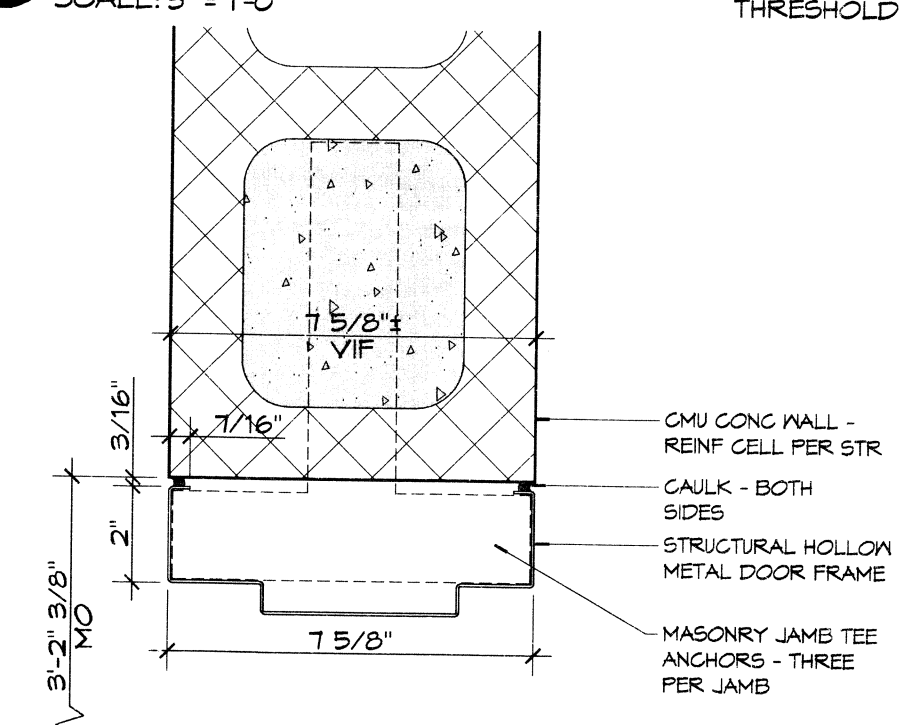
MK	SIZE	TYPE	DOOR MATERIAL	FRAME MATERIAL	FRAME TYPE	FR	HWR	REMARKS
102A	3'-0"X7'-0"X1 3/4"	F	GALV MTL	HOLLOW METAL	F1	NR	01	
103A	3'-0"X7'-0"X1 3/4"	F	GALV MTL	HOLLOW METAL	F1	NR	01	
104A	3'-0"X7'-0"X1 3/4"	F	GALV MTL	HOLLOW METAL	F1	NR	01	

FINISH SCHEDULE

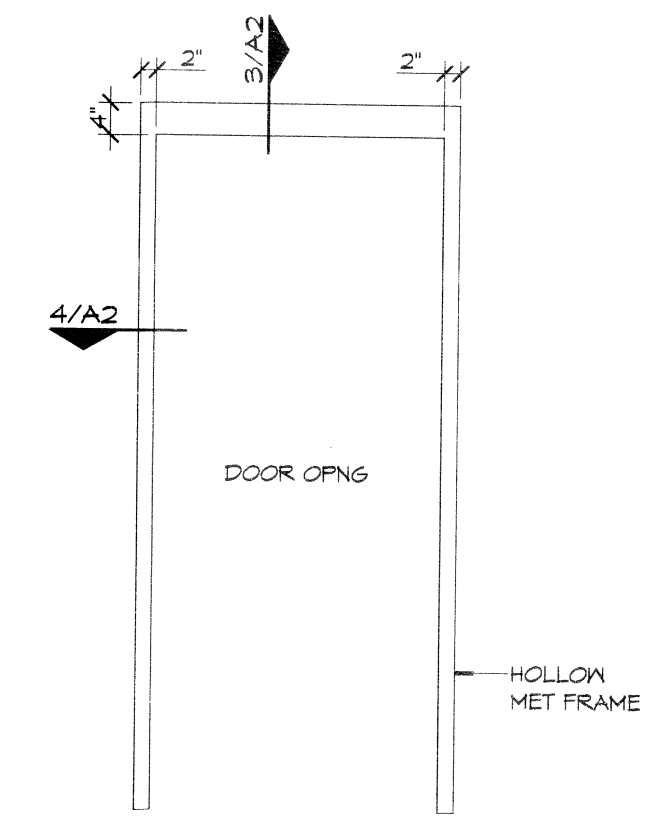
RM #	ROOM NAME	FLOOR	WALLS	CEILING	CLNG HT	REMARKS
101	FOYER	SEALED CONG	PTD CMU	PTD OSB PLYWOOD	10'-1"	
102	TABLES & CHAIRS	SEALED CONG	PTD CMU	PTD OSB PLYWOOD	10'-1"	
103	MENS TOILET	SEALED CONG	PTD CMU	PTD OSB PLYWOOD	10'-1"	
104	WOMENS TOILET	SEALED CONG	PTD CMU	PTD OSB PLYWOOD	10'-1"	



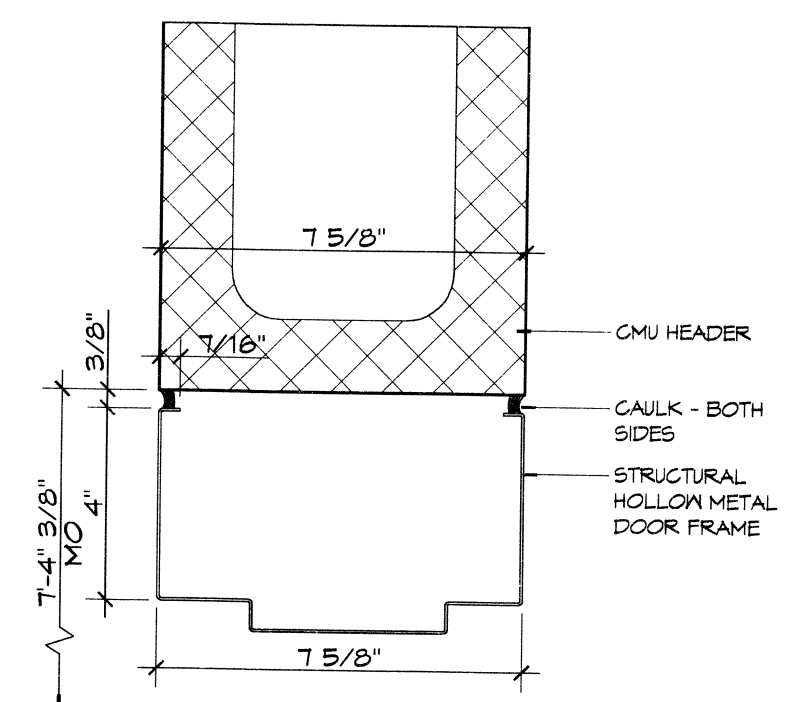
5 DOOR DETAIL
SCALE: 3" = 1'-0"



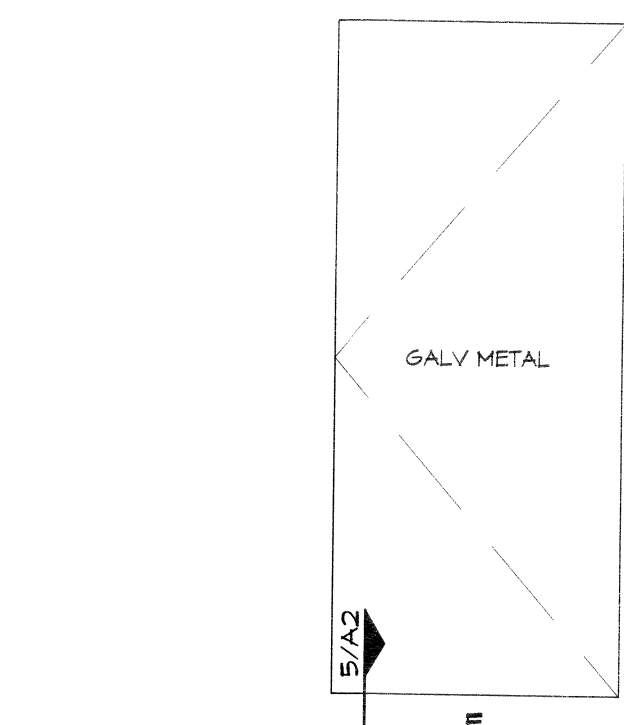
4 DOOR DETAIL
SCALE: 3" = 1'-0"



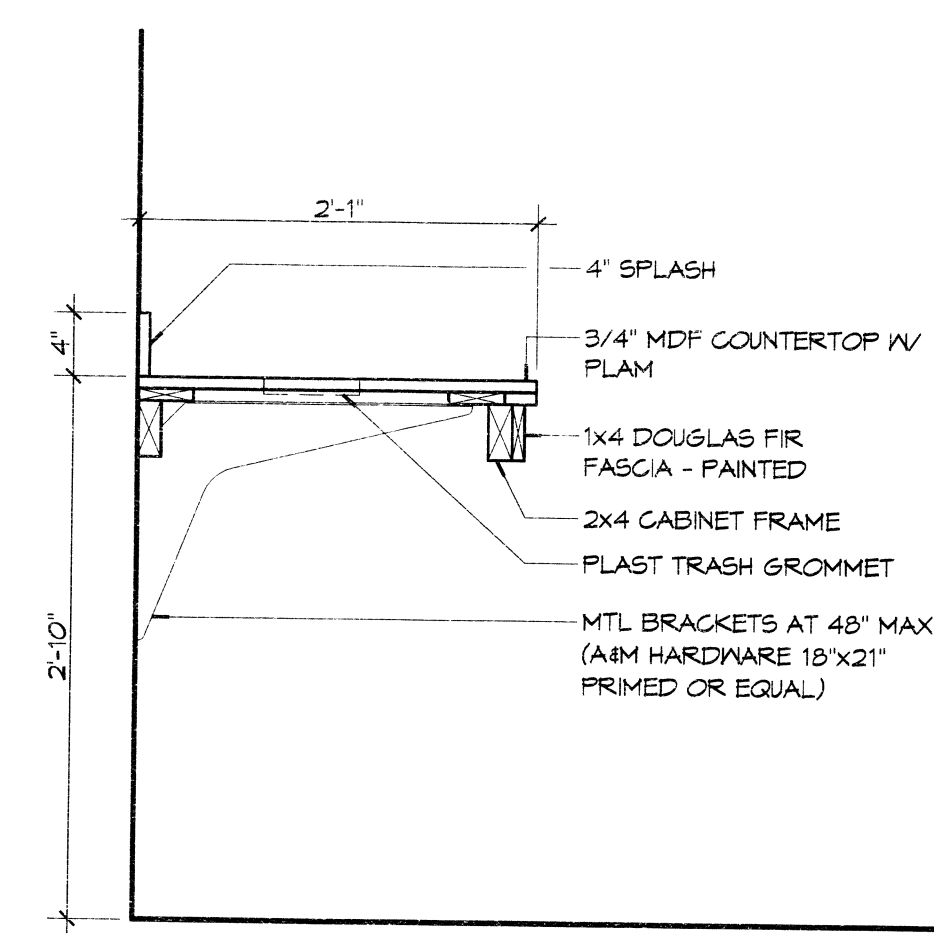
3 DOOR FRAME TYPE
SCALE: 1/2" = 1'-0"



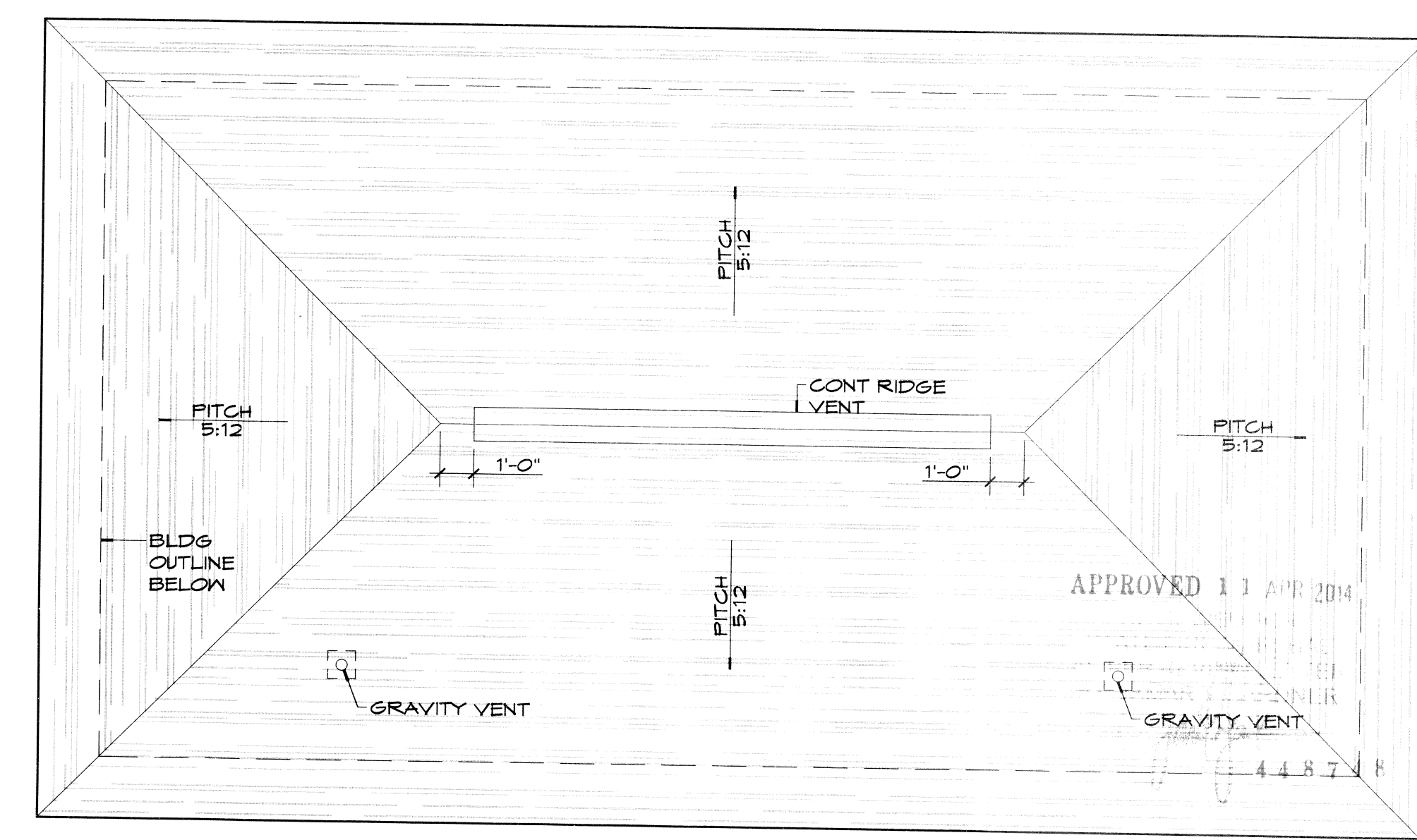
3 DOOR DETAIL
SCALE: 3" = 1'-0"



2 DOOR TYPE
SCALE: 1/2" = 1'-0"



6 MILLWORK DETAIL
SCALE: 1" = 1'-0"



1 ROOF PLAN
SCALE: 1/4" = 1'-0"

DAMMON ENGINEERING & ARCHITECTS
www.dammonengineering.com
info@dammon.com
554 Old Spanish Trail
Slidell, LA 70458
PH: 985.449.5832
F: 985.441.9950

REVISIONS	DATE	DESCRIPTION

SEAL: *[Signature]*

CITY OF SLIDELL
**3RD STREET RESTROOMS/
VETERANS PARK
IMPROVEMENTS**
SLIDELL, LOUISIANA
JOB No: 2170 DATE: 4/2/2014
DRAWN BY: K.K. CHECKED BY: K.K.

SHEET TITLE:
**ROOF PLAN & MILLWORK
DOOR & FIN SCHEDULE
DOOR DETAILS**

DRAWING NUMBER:
A2
SHEET No: 6 of 8