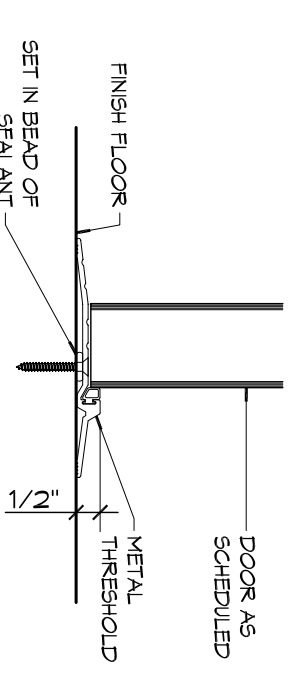
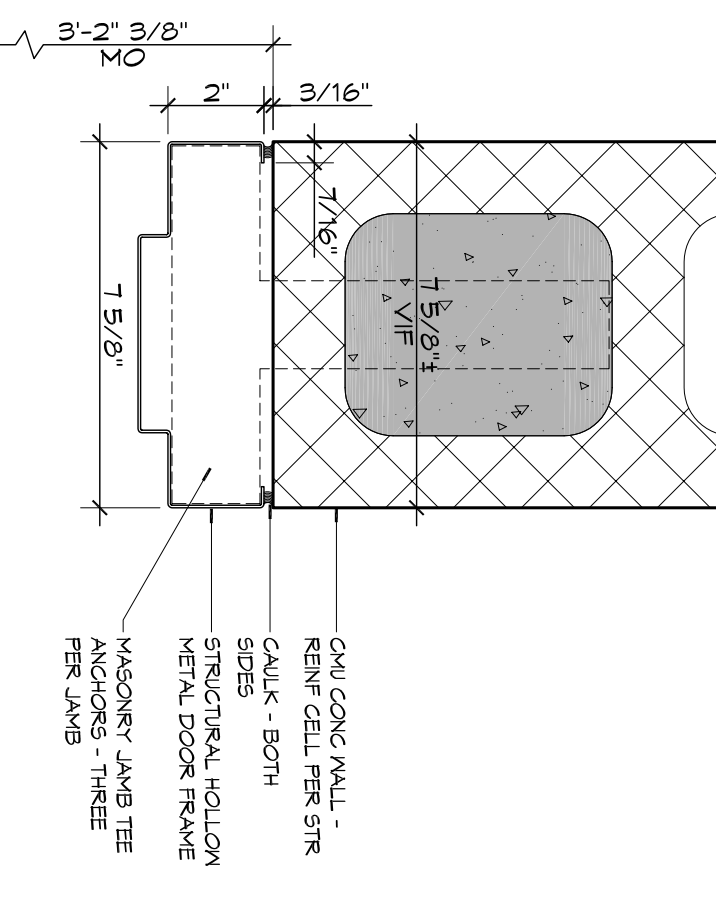


| DOOR SCHEDULE | | | | | | | | |
|---------------|----------------------|------|---------------|----------------|------------|----|-----|---------|
| NO | SIZE | TYPE | DOOR MATERIAL | FRAME MATERIAL | FRAME TYPE | FR | HWR | REMARKS |
| 102A | 3'-0" X 7'-0" X 1/4" | F | GALV MTL | HOLLOW METAL | F1 | 45 | 01 | |
| 103A | 3'-0" X 7'-0" X 3/4" | F | GALV MTL | HOLLOW METAL | F1 | NK | 01 | |
| 104A | 3'-0" X 7'-0" X 3/4" | F | GALV MTL | HOLLOW METAL | F1 | NK | 01 | |

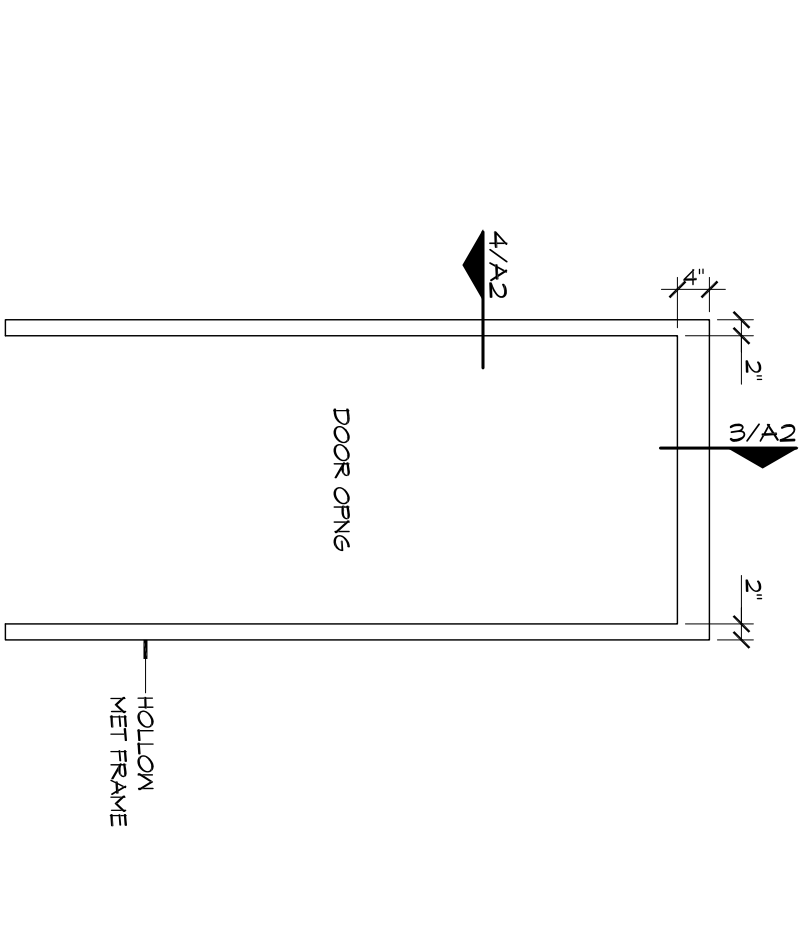
| FINISH SCHEDULE | | | | | | |
|-----------------|-----------------|-------------|---------|-----------------|----------|---------|
| RM # | ROOM NAME | FLOOR | WALLS | CEILING | CLNG HGT | REMARKS |
| 101 | FOYER | SEALED CONC | FTD CMU | FTD OSB PLYWOOD | 10'-1" | |
| 102 | TABLES & CHANGS | SEALED CONC | FTD CMU | FTD OSB PLYWOOD | 10'-1" | |
| 103 | MEN'S TOILET | SEALED CONC | FTD CMU | FTD OSB PLYWOOD | 10'-1" | |
| 104 | WOMEN'S TOILET | SEALED CONC | FTD CMU | FTD OSB PLYWOOD | 10'-1" | |



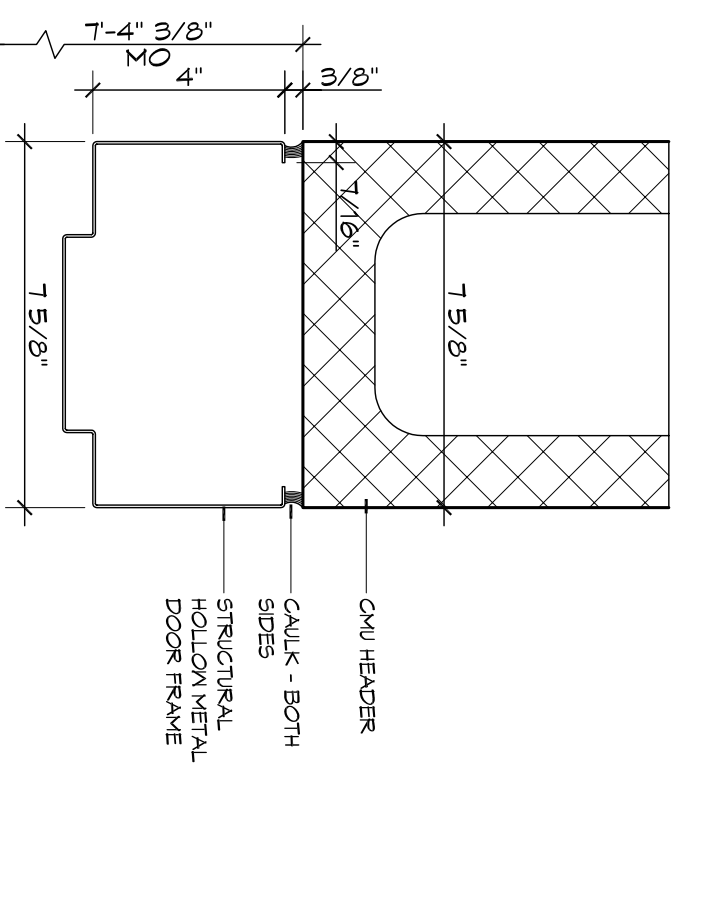
5 DOOR DETAIL
THRESHOLD
SCALE: 3" = 1'-0"



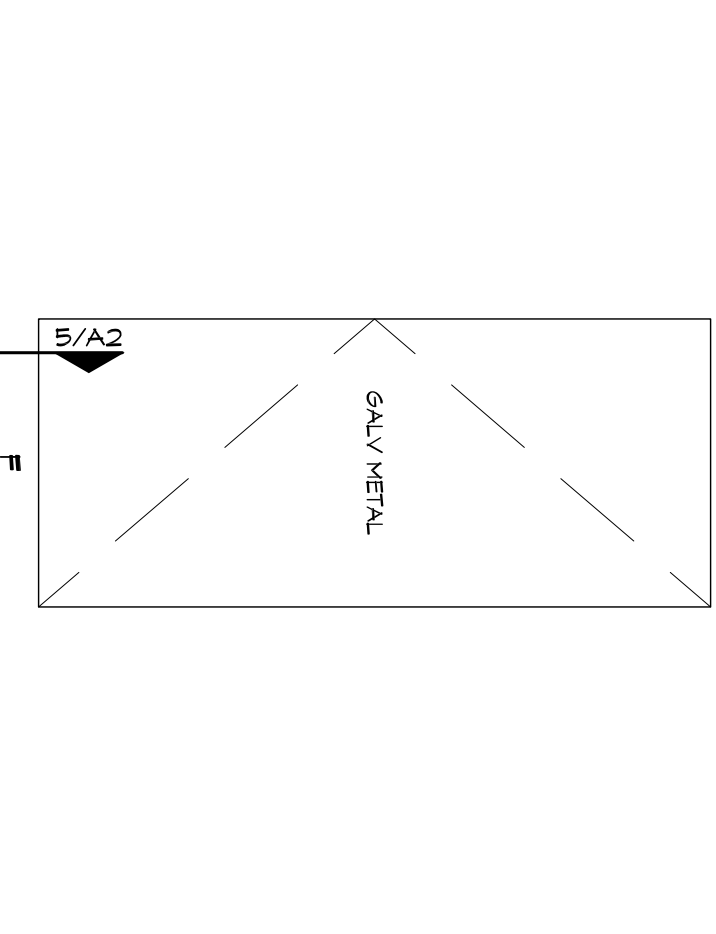
4 DOOR DETAIL
DOOR JAMB
SCALE: 3" = 1'-0"



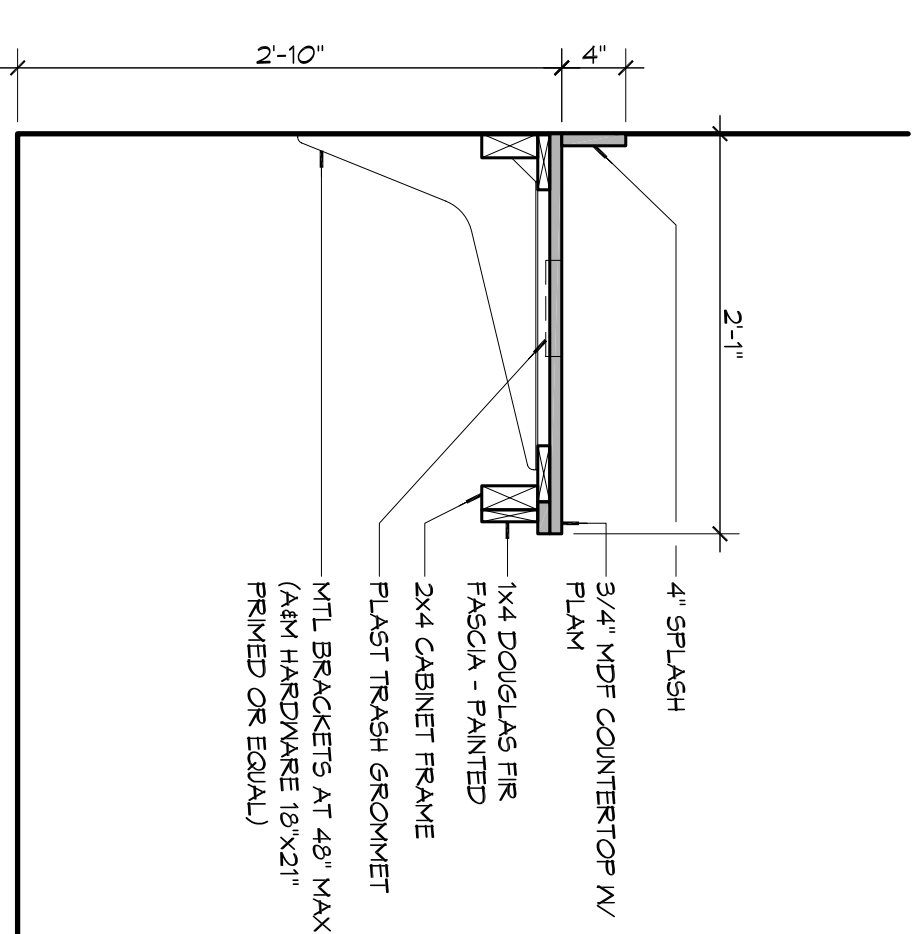
3 DOOR FRAME TYPE
SCALE: 1/2" = 1'-0"



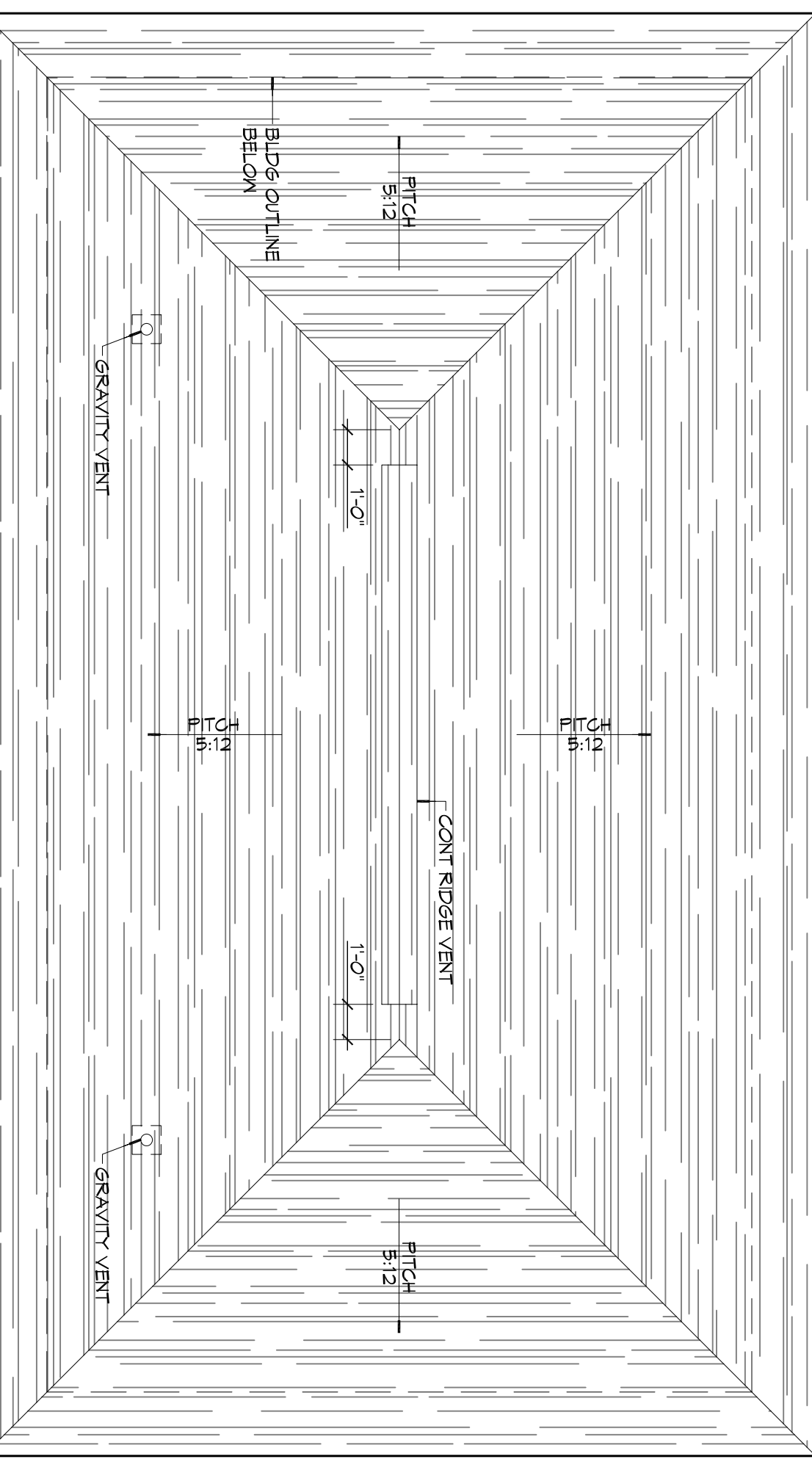
3 DOOR DETAIL
DOOR HEAD
SCALE: 3" = 1'-0"



2 DOOR TYPE
SCALE: 1/2" = 1'-0"



6 MILLWORK DETAIL
SCALE: 1" = 1'-0"



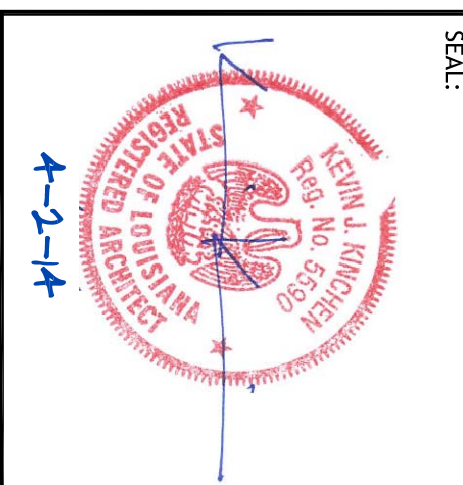
1 ROOF PLAN
SCALE: 1/4" = 1'-0"

DAMMON ENGINEERING, INC.
Architects & Engineers

Chief Architect: Kevin J. Kinchen, NCARB
Chief Engineer: Brian Mistich, PE
554 Old Spanish Trail
Slidell, LA 70458

www.dammonengineering.com
info@dammonengineering.com
PH: 985.649.5832
F: 985.641.5950

| REVISIONS | |
|-----------|-------------|
| # | DESCRIPTION |
| | |
| | |
| | |
| | |
| | |



1 - V
2 - W
3 - W
4 - W
5 - W
6 - W
7 - W
8 - W
9 - W
10 - W
11 - W
12 - W
13 - W
14 - W
15 - W
16 - W
17 - W
18 - W
19 - W
20 - W
21 - W
22 - W
23 - W
24 - W
25 - W
26 - W
27 - W
28 - W
29 - W
30 - W
31 - W
32 - W
33 - W
34 - W
35 - W
36 - W
37 - W
38 - W
39 - W
40 - W
41 - W
42 - W
43 - W
44 - W
45 - W
46 - W
47 - W
48 - W
49 - W
50 - W
51 - W
52 - W
53 - W
54 - W
55 - W
56 - W
57 - W
58 - W
59 - W
60 - W
61 - W
62 - W
63 - W
64 - W
65 - W
66 - W
67 - W
68 - W
69 - W
70 - W
71 - W
72 - W
73 - W
74 - W
75 - W
76 - W
77 - W
78 - W
79 - W
80 - W
81 - W
82 - W
83 - W
84 - W
85 - W
86 - W
87 - W
88 - W
89 - W
90 - W
91 - W
92 - W
93 - W
94 - W
95 - W
96 - W
97 - W
98 - W
99 - W
100 - W

2602 2nd STREET
SLIDELL, LOUISIANA, 70458

JOB No: 2170 DATE: 4/2/2014
DRAWN BY: KK CHECKED BY: KY

SHEET TITLE:
ROOF PLAN & MILLWORK
DOOR & FIN SCHEDULE
DOOR DETAILS

DRAWING NUMBER:
A2

SHEET No: 6 of 8