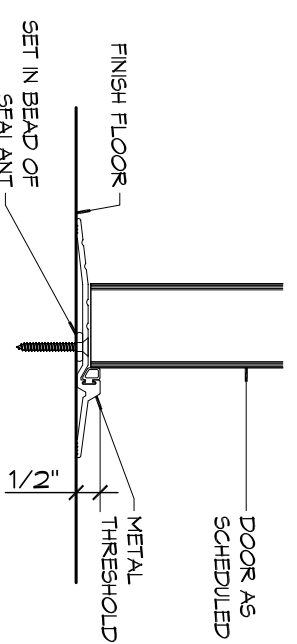


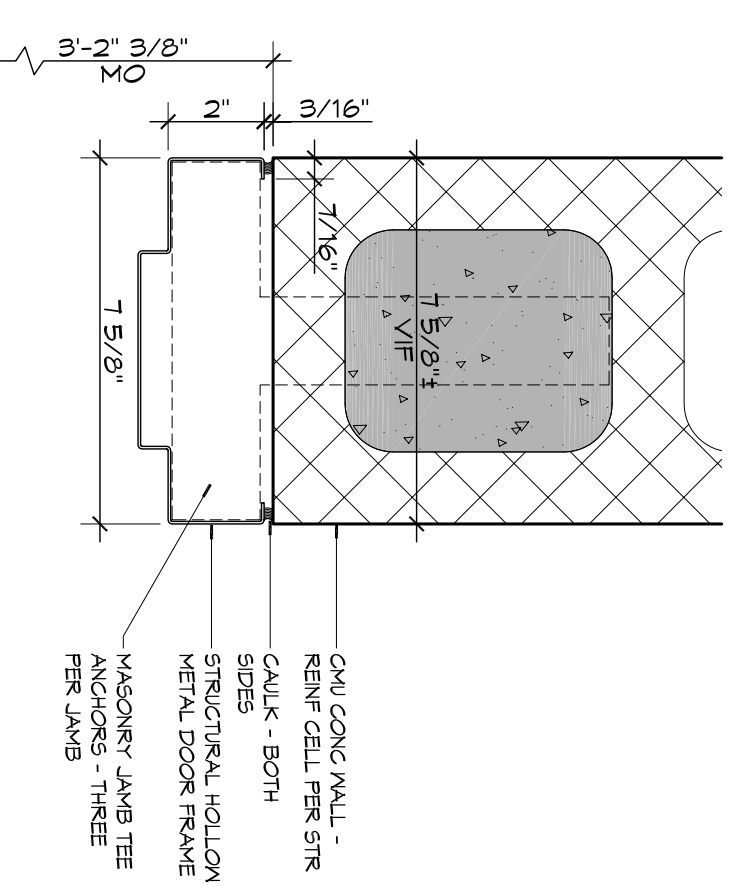
DOOR SCHEDULE								
NR	SIZE	TYPE	DOOR MATERIAL	FRAME MATERIAL	FRAME TYPE	FR	HR	REMARKS
102A	3'-0"X7'-0"X1 3/4"	F	GALV MTL	HOLLOW METAL	F1	NR	O1	
103A	3'-0"X7'-0"X1 3/4"	F	GALV MTL	HOLLOW METAL	F1	NR	O1	
104A	3'-0"X7'-0"X1 3/4"	F	GALV MTL	HOLLOW METAL	F1	NR	O1	

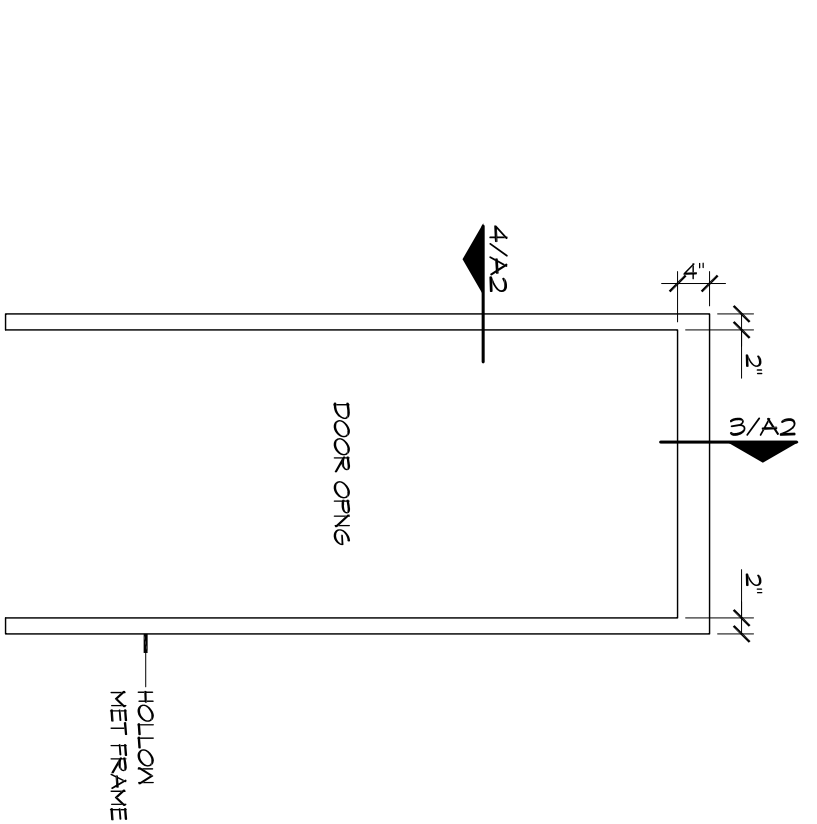
FINISH SCHEDULE						
RM #	ROOM NAME	FLOOR	WALLS	CEILING	CLNG HT	REMARKS
101	FOYER	SEALED CONC	PTD CMU	PTD OSB PLYWOOD	10'-11"	
102	TABLES & CHAIRS	SEALED CONC	PTD CMU	PTD OSB PLYWOOD	10'-11"	
103	MENS TOILET	SEALED CONC	PTD CMU	PTD OSB PLYWOOD	10'-11"	
104	WOMENS TOILET	SEALED CONC	PTD CMU	PTD OSB PLYWOOD	10'-11"	



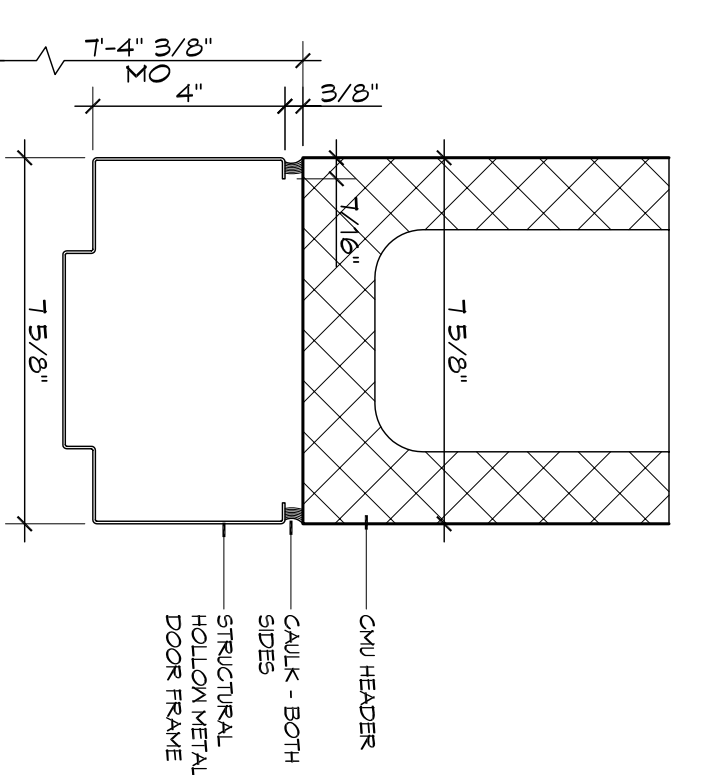
**5 DOOR DETAIL**  
SCALE: 3/8" = 1'-0"  
THRESHOLD



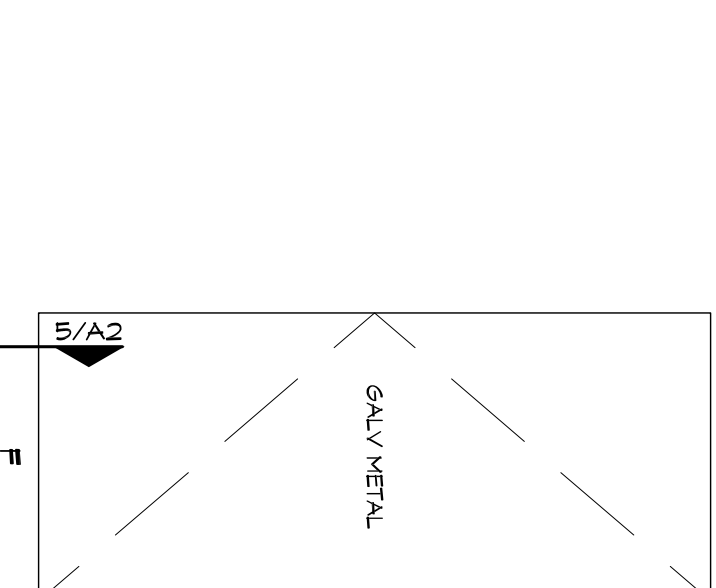
**4 DOOR DETAIL**  
SCALE: 3/8" = 1'-0"  
DOOR JAMB



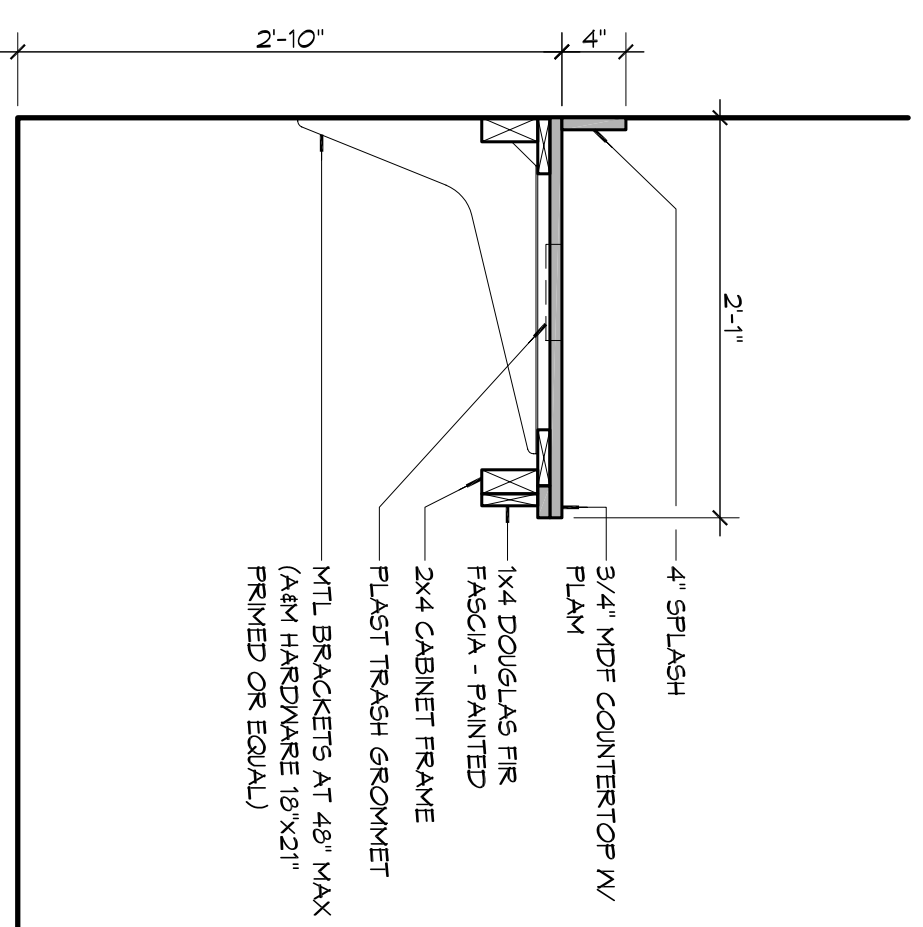
**3 DOOR FRAME TYPE**  
SCALE: 1/2" = 1'-0"



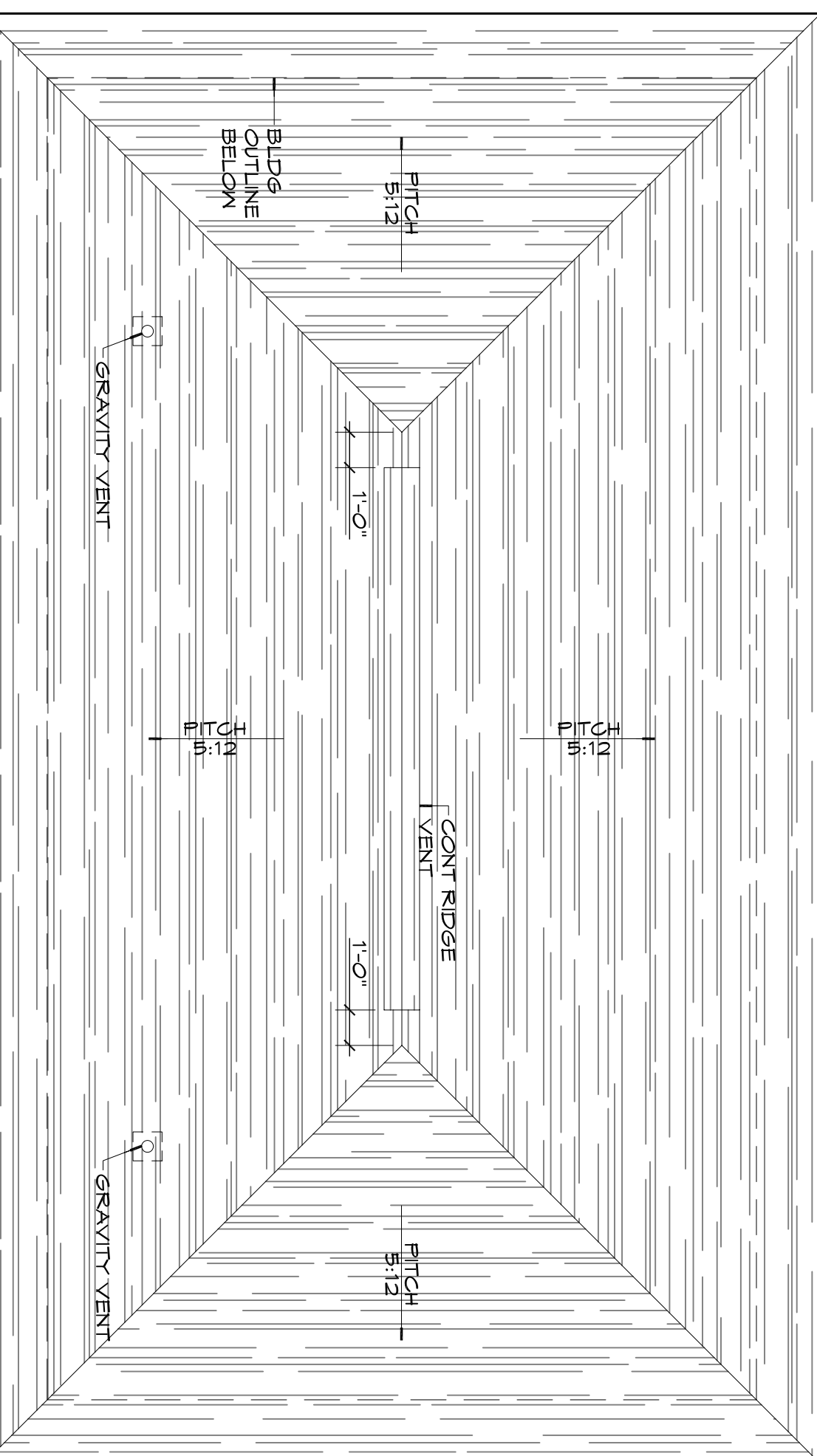
**3 DOOR DETAIL**  
SCALE: 3/8" = 1'-0"  
DOOR HEAD



**2 DOOR TYPE**  
SCALE: 1/2" = 1'-0"



**6 MILLWORK DETAIL**  
SCALE: 1" = 1'-0"



**1 ROOF PLAN**  
SCALE: 1/4" = 1'-0"

REVISIONS		
#	DESCRIPTION	DATE

**DAMMON ENGINEERING, INC.**  
Architects & Engineers  
www.dammoneengineering.com  
info@dammoneengineering.com  
Chief Architect: Kevin J. Kinchen, NCARB  
Chief Engineer: Brian Mistich, PE  
554 Old Spanish Trail  
Slidell, LA 70458  
PH: 985.649.5832  
F: 985.641.5950

CITY OF SLIDELL  
**3RD STREET RESTROOMS / VETERANS PARK IMPROVEMENTS**  
SLIDELL, LOUISIANA  
JOB No: 2110 DATE: 4/2/2014  
DRAWN BY: KJK CHECKED BY: KJK

SHEET TITLE:  
ROOF PLAN & MILLWORK DOOR & FIN SCHEDULE DOOR DETAILS  
DRAWING NUMBER:  
**A2**  
SHEET No: 6 of 8