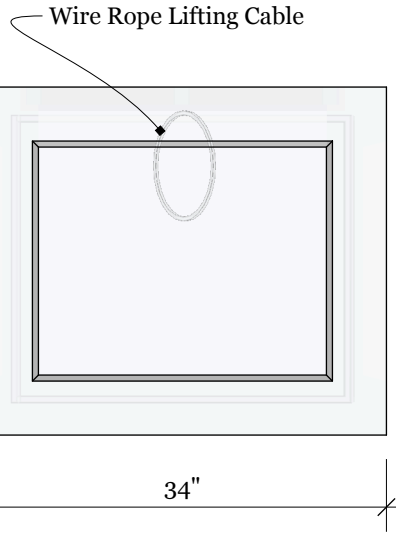
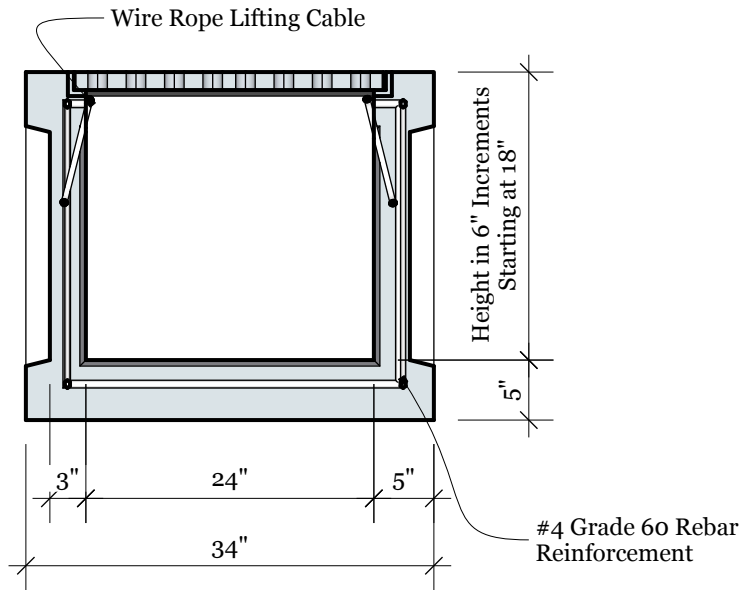


Front View  
scale: 3/4"=1'



Side View  
scale: 3/4"=1'

### SPECIFICATIONS

Self-consolidating concrete containing admixtures meeting ASTM C494 Type D and F used to ensure uniform suspension of aggregates throughout.

Concrete Strength: 5,000psi (min.) @28 days (Avg. 9,013 psi @28 days).

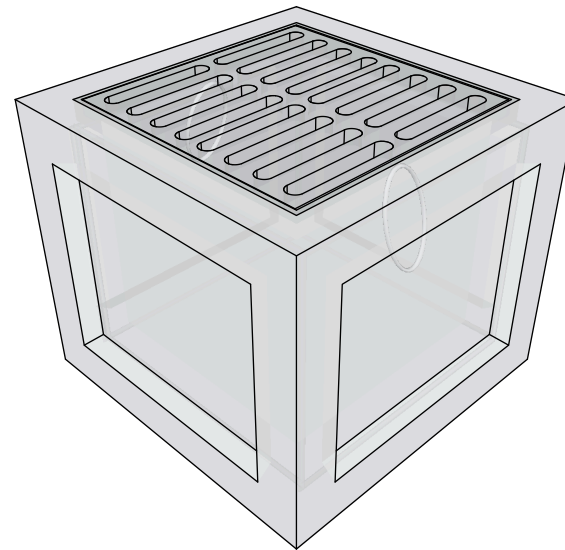
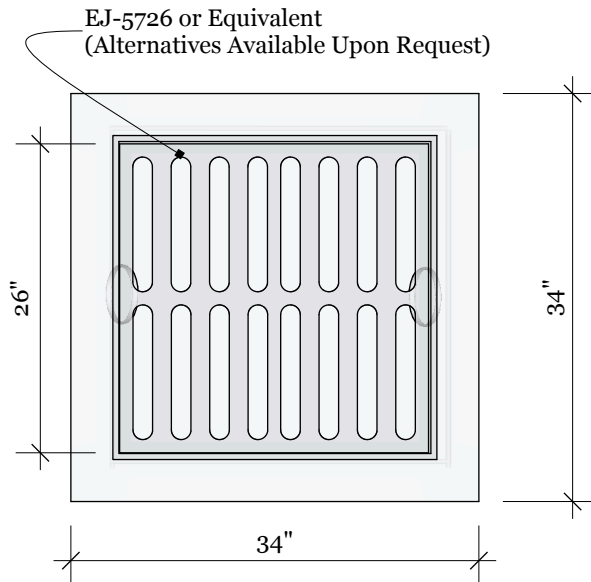
Reinforcing Steel: #4 bar per ASTM A-615, Grade 60.

Wire rope or Galvanized bar lifting anchors on the interior of the drain inlet cast in place to ensure safe lifting during installation. Combined anchor lifting capacity exceeds double the casting weight.

Walls minimum 5" thick in structural areas.

Cast iron frame and grate EJIW 5726 or equivalent meets AASHTO M306 and H20-44 appropriate for general traffic applications.

Top View  
scale: 3/4"=1'



Perspective  
scale: N.T.S

SCI 24x24 Drain Inlet  
With Generic Knockout Walls

www.sciprecast.com  
bidding@sciprecast.com  
Fax 985-641-4912



SCI Precast  
153 Industrial Drive  
Slidell, LA 70460  
985-649-3782

SCI 24x24 Drain Inlet Knockout Walls

#### REVISIONS

	MM/DD/YY	REMARKS
1	--/--/--	...
2	--/--/--	...
3	--/--/--	...
4	--/--/--	...
5	--/--/--	...

001

A