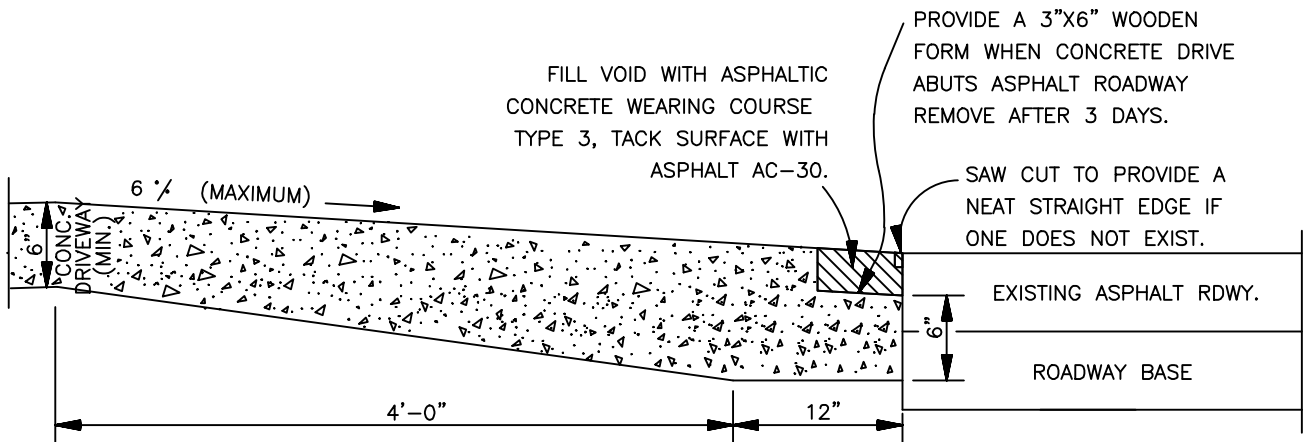


NEW DRIVEWAY CONNECTION TO EXISTING ASPHALT ROADWAY WITH CURB AND GUTTER



NEW DRIVEWAY CONNECTION TO EXISTING ASPHALT ROADWAY WITHOUT CURB



DRIVEWAY CONNECTIONS-ASPHALT

CITY OF SLIDELL ENGINEERING DEPT.

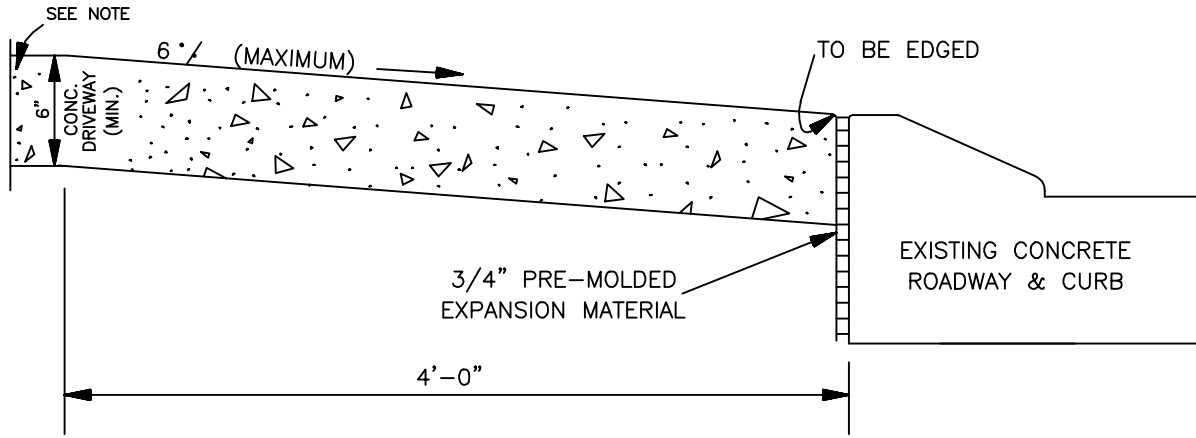
Annual Maintenance Contract FY' 2014

DRAWN BY: JMC
Approved By: DSO

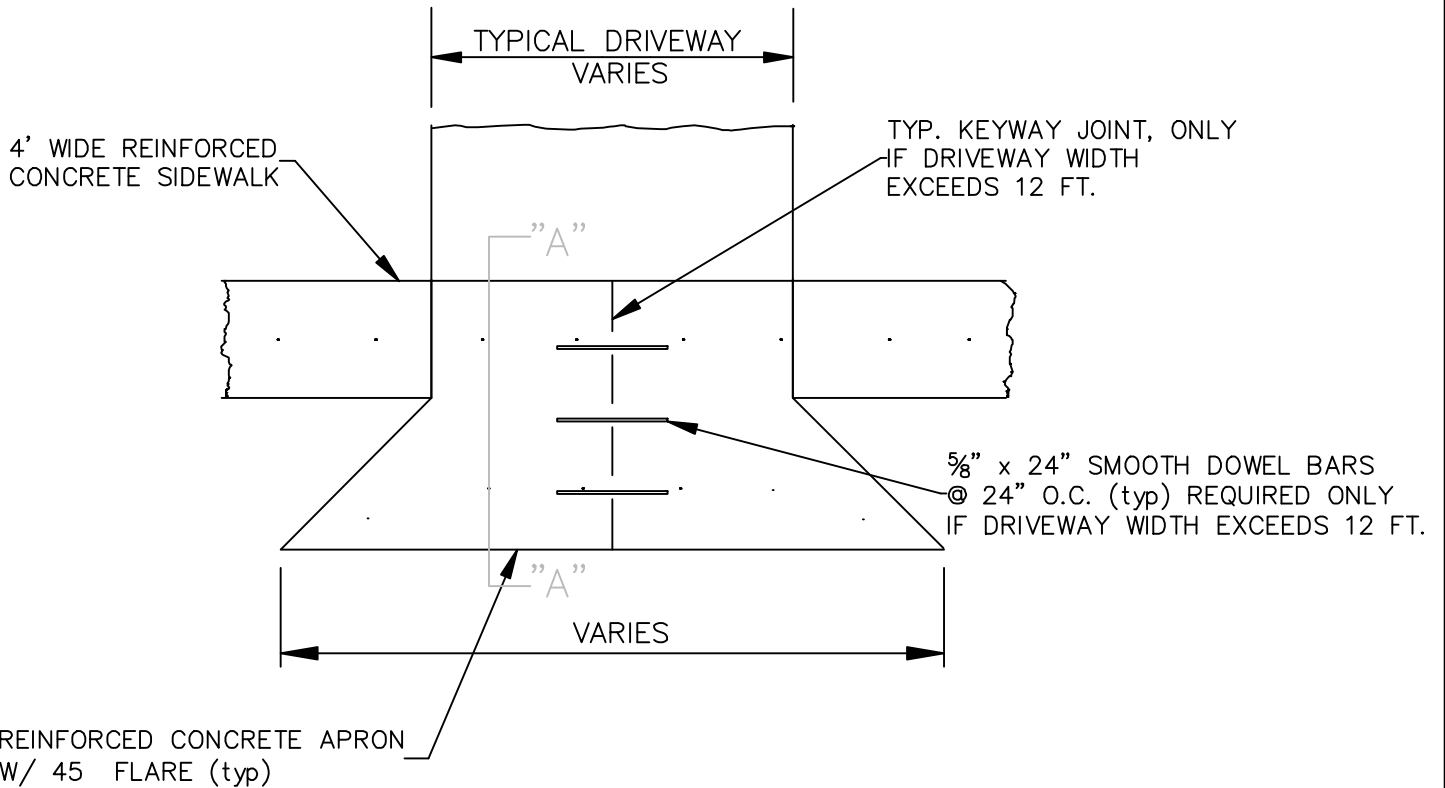
FILE No: 950-41D
DATE: 08/02/10

SHT 1

SECTION "A"



NEW DRIVEWAY CONNECTION TO EXISTING CONCRETE ROADWAY
WITH ROLLOVER CURB (CURB TO REMAIN)
 (NOT APPLICABLE TO MAJOR STREETS
 WHERE EXISTING CURB HEIGHT EXCEEDS 3")



CONCRETE DRIVEWAY APRON
 NTS



DRIVEWAY CONNECTIONS-CONCRETE

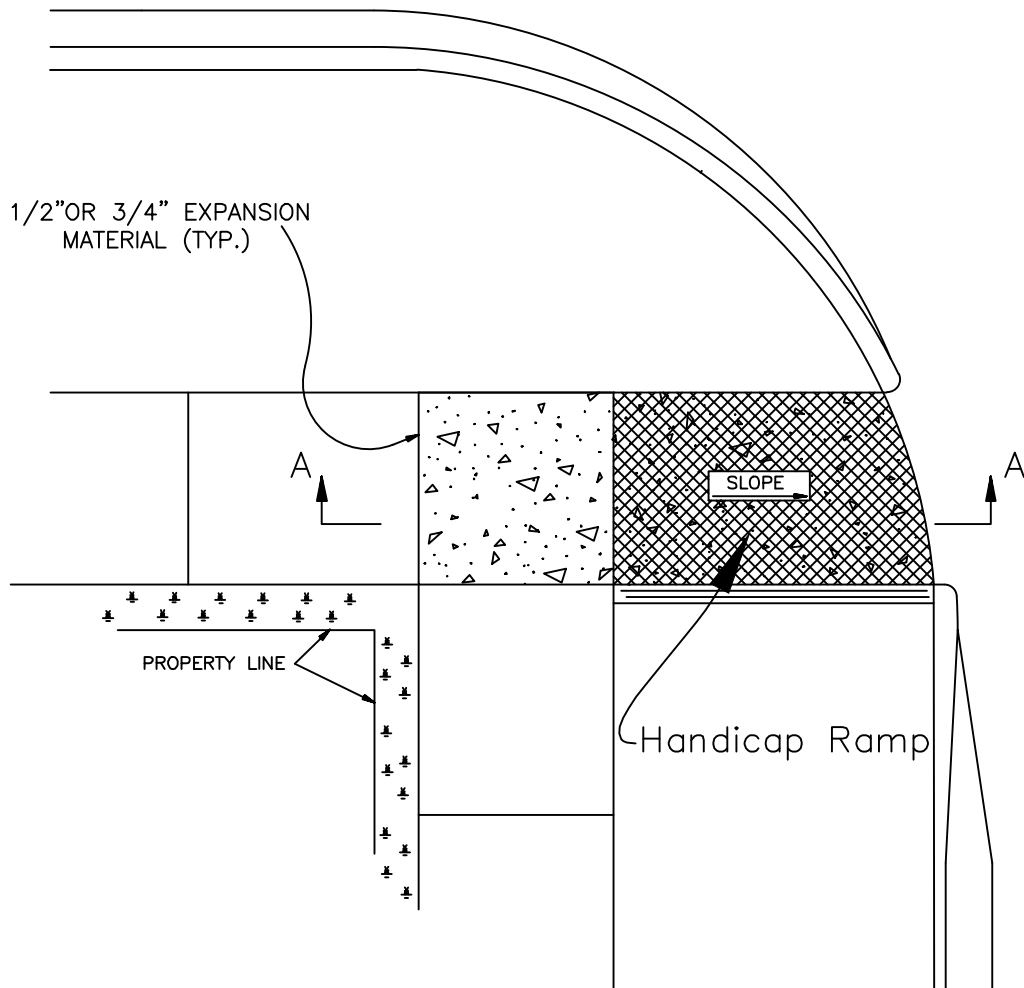
CITY OF SLIDELL ENGINEERING DEPT.

Annual Maintenance Contract FY' 2014

DRAWN BY: JMC FILE No: 950-41D
 Approved By: DSO DATE: 08/02/10

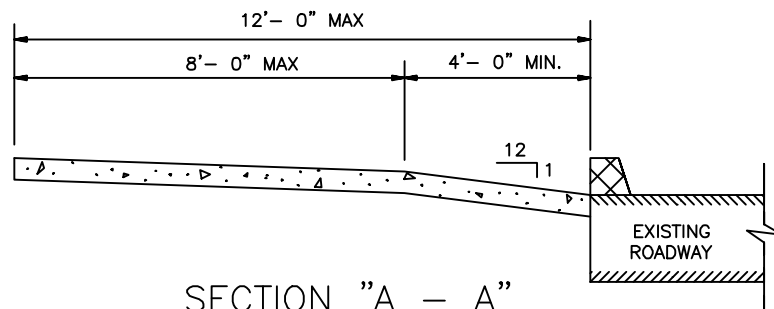
SHT 2

1/2" OR 3/4" EXPANSION MATERIAL (TYP.)



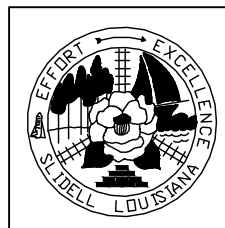
* SLOPE on HC RAMP CANNOT BE STEEPER THAN 1" IN 12"

HANDICAPPED CURB RAMP



SECTION "A - A"

N.T.S.



Handicapped Curb Ramp

CITY OF SLIDELL ENGINEERING DEPT.

Annual Maintenance Contract FY' 2014

DRAWN BY: JMC

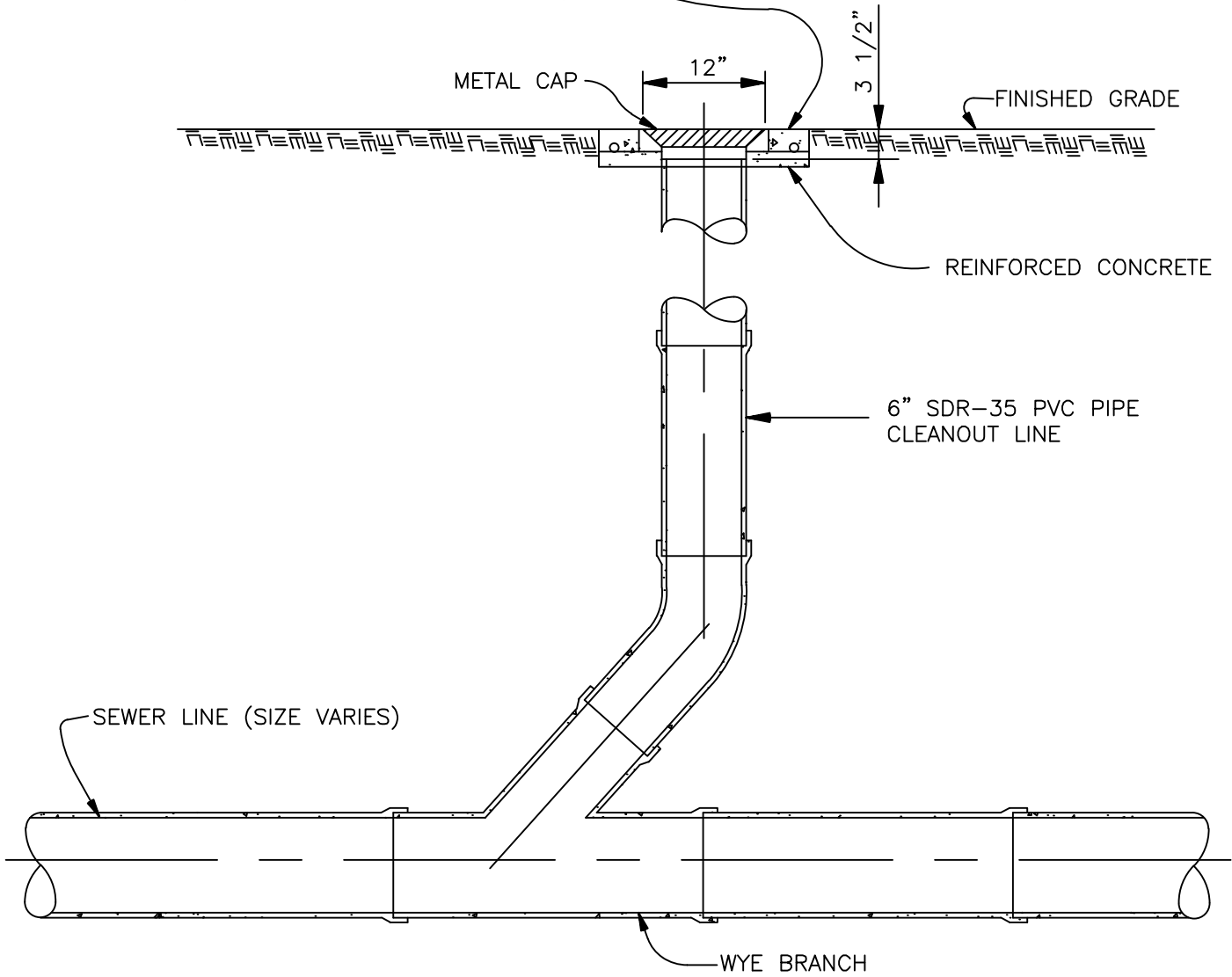
FILE No: 950-41D

SHT 3

Approved By: DSO

DATE: 08/02/10

24" X 24" X 4" THICK CONCRETE PAD. PLACE REBAR IN CONCRETE (FOR LOCATION PURPOSES ONLY.)



SEWER CLEANOUT

N.T.S.



CLEANOUT DETAILS

CITY OF SLIDELL ENGINEERING DEPT.

Annual Maintenance Contract FY' 2014

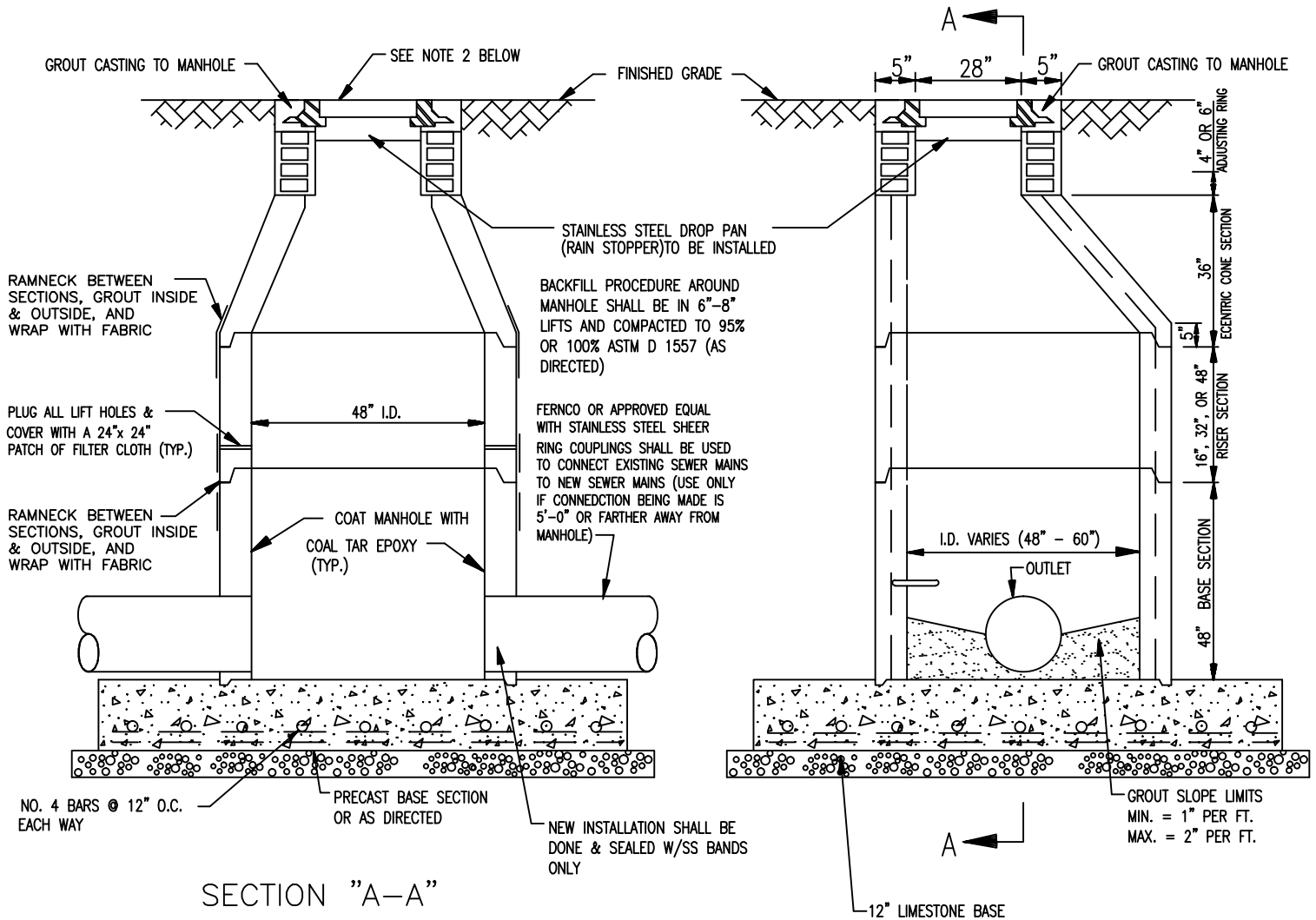
DRAWN BY: JMC

FILE No: 950-41D

SHT 4

Approved By: DSO

DATE: 08/02/10

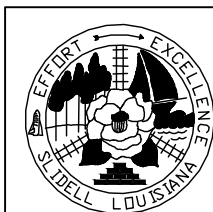


PRECAST CONCRETE SEWER MANHOLE

NTS

NOTES:

1. TO CONNECT TO EXISTING M.H. OLD PIPE IS TO BE BROKEN OUT & NEW PIPE INSERTED COMPLETELY INTO NEW MANHOLE.
2. COVER SHOULD BE VULCAN FOUNDRY OR APPROVED EQUAL RIM AND COVER, WITH LETTERING "SEWER" TO BE CAST ON LID.
3. ALL SEWER MANHOLES SHALL INCLUDE A SS RAINSTOPPER LINER.



SEWER MANHOLE

CITY OF SLIDELL ENGINEERING DEPT.

Annual Maintenance Contract FY' 2014

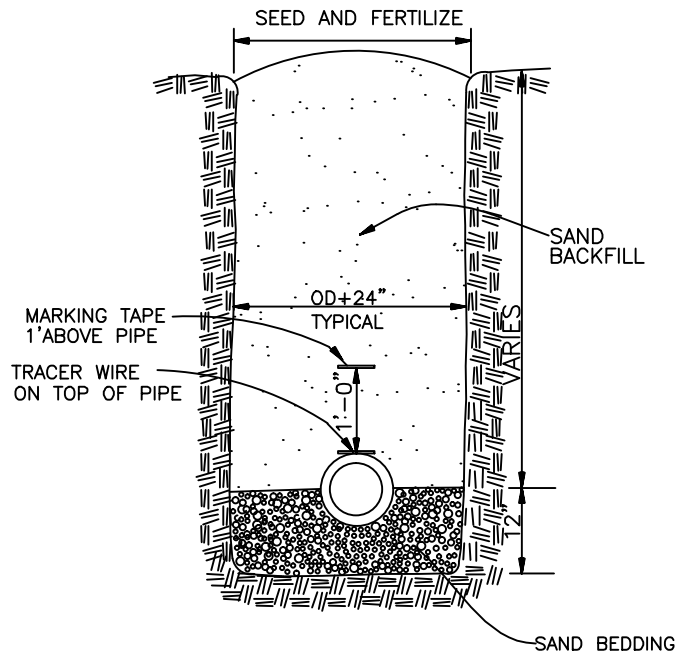
DRAWN BY: JMC

FILE No: 950-41D

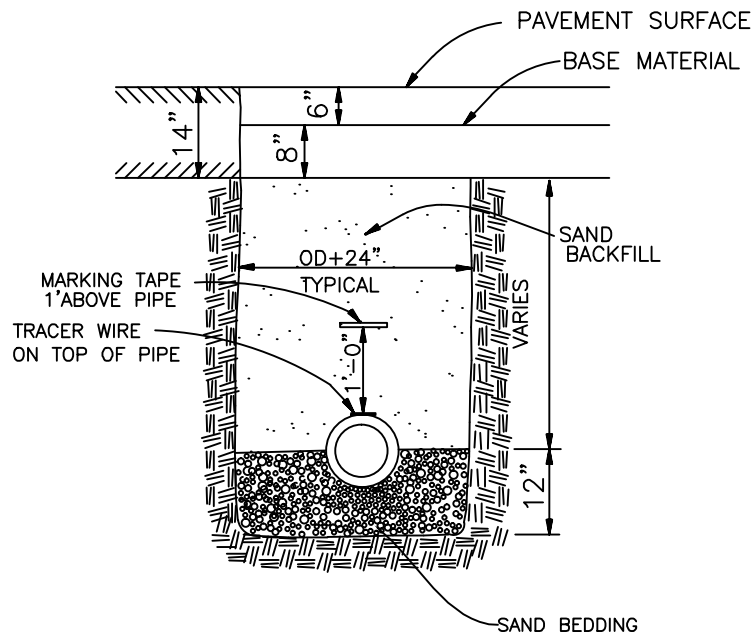
SHT 5

Approved By: DSO

DATE: 08/02/10



WATER OR SANITARY SEWER PIPE FOUNDATION
IN GRASS
N.T.S



WATER OR SANITARY SEWER PIPE FOUNDATION
UNDER PAVEMENT
N.T.S

1. SHORING MAY BE REQUIRED BY SOIL CONDITIONS
2. WATERLINES SHALL BE C-900
3. SEWER FORCE MAIN SHALL BE SDR 26
4. GRAVITY SEWER LINE SHALL BE SDR 35
5. TRACER WIRE REQUIRED ON WATER & FORCE MAINS ONLY



SANITARY SEWER PIPE FOUNDATION

CITY OF SLIDELL ENGINEERING DEPT.

Annual Maintenance Contract FY' 2014

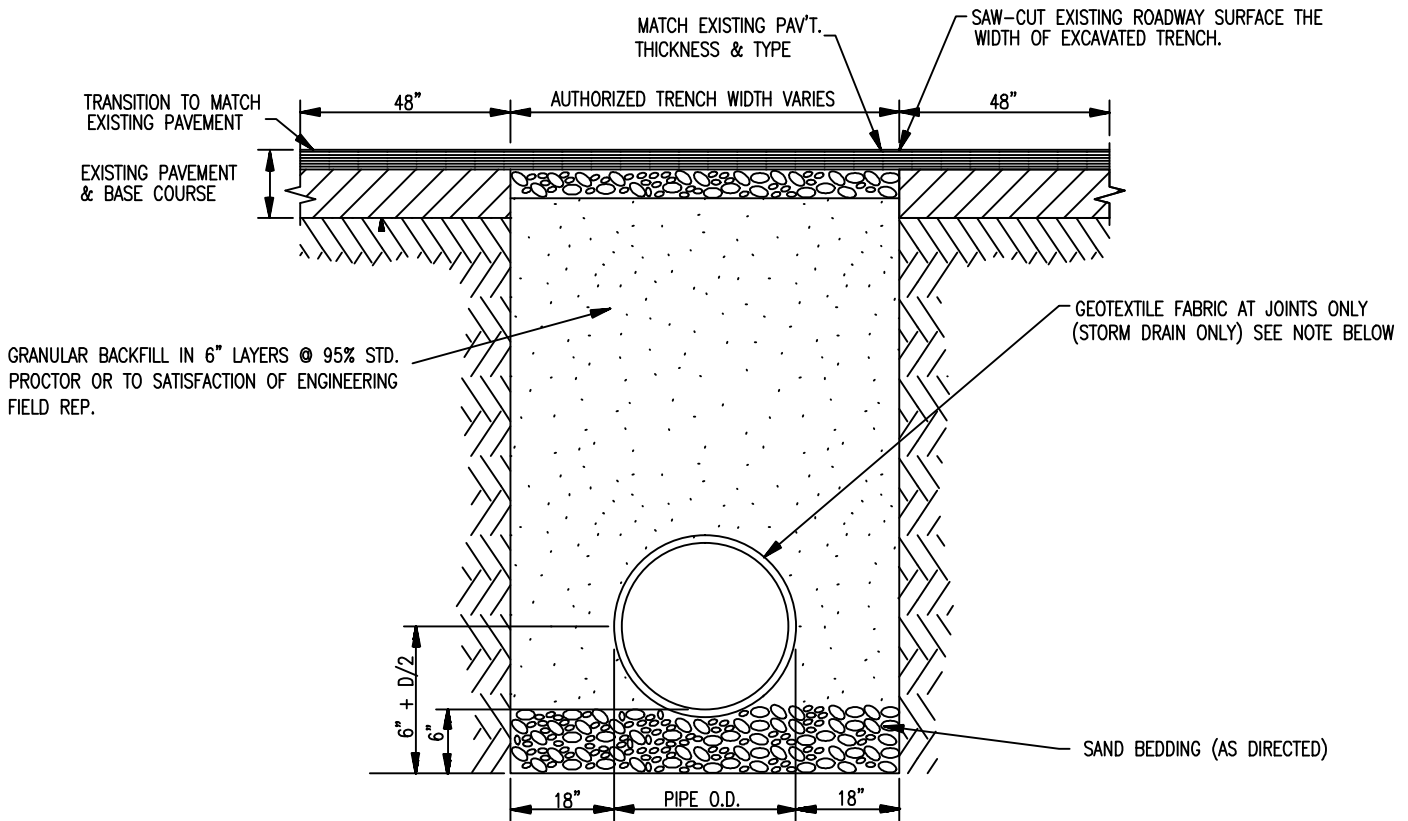
DRAWN BY: JMC

FILE No: 950-41D

SHT 6

Approved By: DSO

DATE: 08/02/10



TYPICAL DETAIL FOR
CULVERTS IN ROADWAYS

N.T.S.

NOTES:

1. ALL GEOTEXTILE FABRIC TO BE 3'-0" WIDE AND TO OVERLAP NO LESS THAN 1/2 OF PIPE DIAMETER. COST OF FABRIC IS TO BE ABSORBED IN THE UNIT PRICE OF DRAIN PIPE AND SHALL NOT BE MEASURED FOR SEPERATE PAYMENT.
2. ADDITIONAL BEDDING MATERIAL MAY BE REQUIRED AS DIRECTED BY THE ENGINEER.
3. TIMBER PLANKING UNDER CULVERTS MAY BE REQUIRED BY ENGINEER.



BEDDING DETAILS

CITY OF SLIDELL ENGINEERING DEPT.

Annual Maintenance Contract FY' 2014

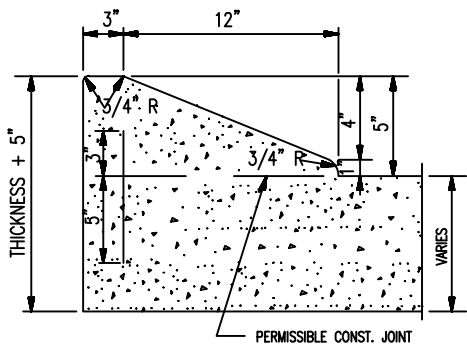
DRAWN BY: JMC

FILE No: 950-41D

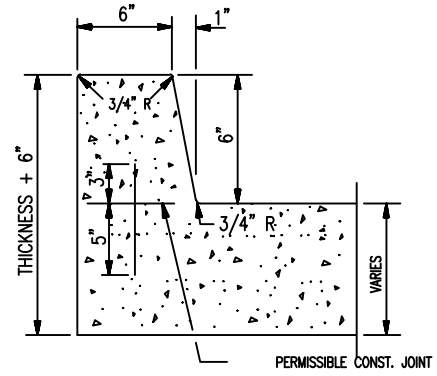
Approved By: DSO

DATE: 08/02/10

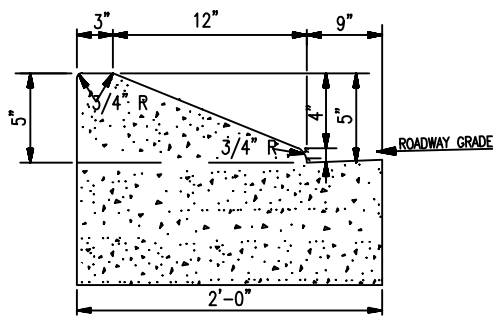
SHT 7



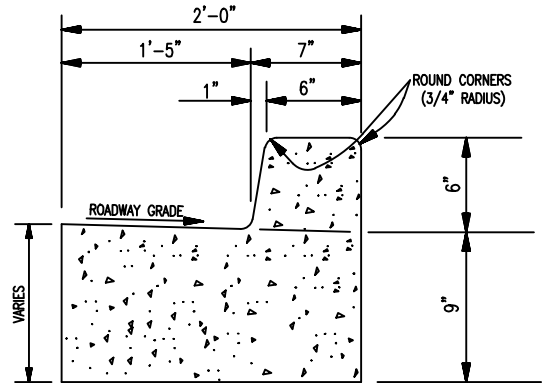
5" ROLLOVER TYPE
CONCRETE CURB
(CONCRETE PAVEMENT ROADWAY)



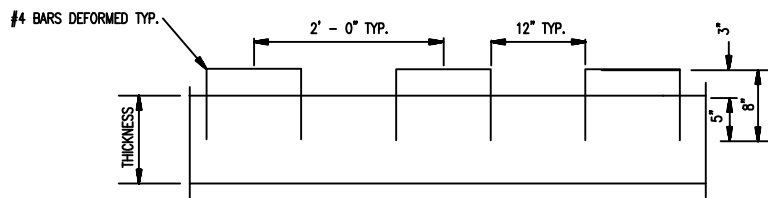
6" BARRIER TYPE
CONCRETE CURB
(CONCRETE PAVEMENT ROADWAY)



5" ROLLOVER TYPE
CONCRETE CURB & GUTTER
(ASPHALT PAVEMENT ROADWAY)



6" BARRIER TYPE
CONCRETE CURB & GUTTER
(ASPHALT PAVEMENT ROADWAY)



CURB DOWELS



CURB DETAILS

CITY OF SLIDELL ENGINEERING DEPT.

Annual Maintenance Contract FY' 2014

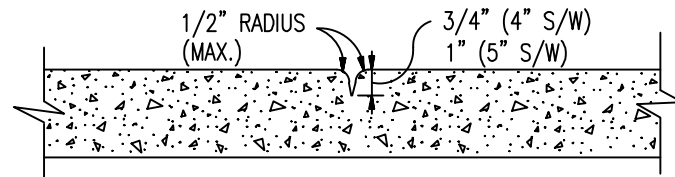
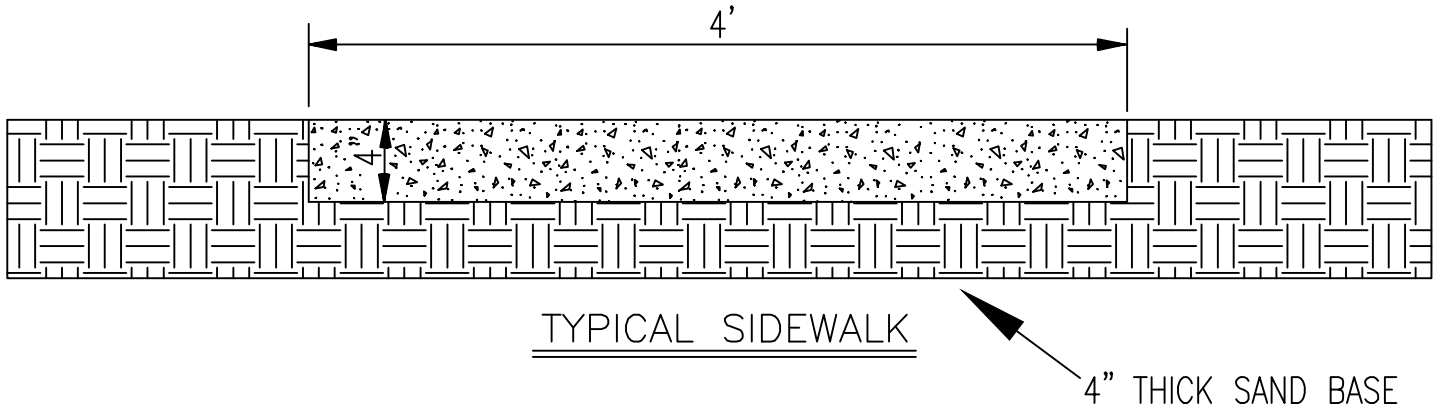
DRAWN BY: JMC

FILE No: 950-41D

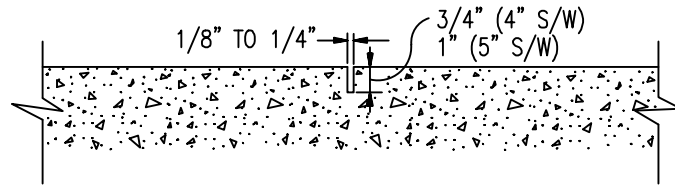
SHT 8

Approved By: DSO

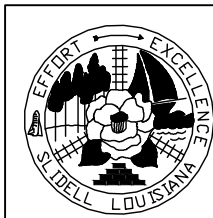
DATE: 08/02/10



HAND TOOLED CONTRACTION JOINT
(MINIMUM SPACING = 4'-0")



SAWED CONTRACTION JOINT
(MINIMUM SPACING = 4'-0")



SIDEWALK DETAILS

CITY OF SLIDELL ENGINEERING DEPT.

Annual Maintenance Contract FY' 2014

DRAWN BY: JMC

FILE No: 950-41D

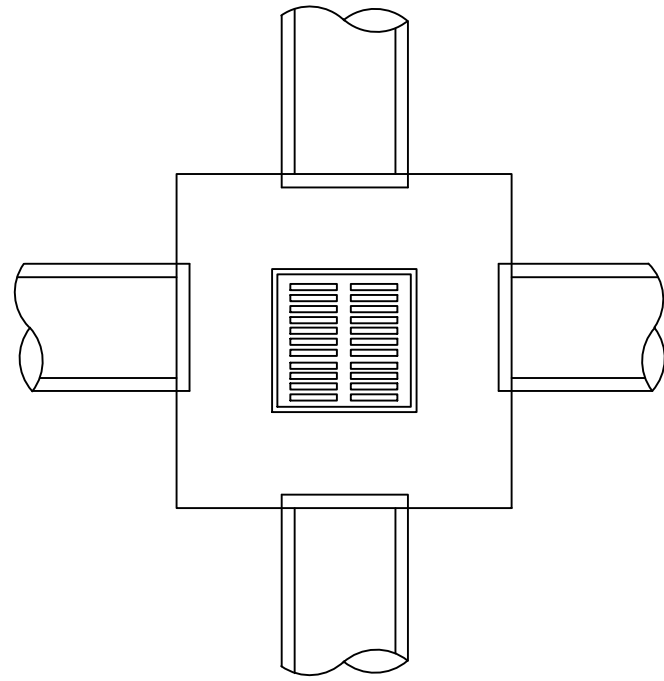
SHT 9

Approved By: DSO

DATE: 08/02/10

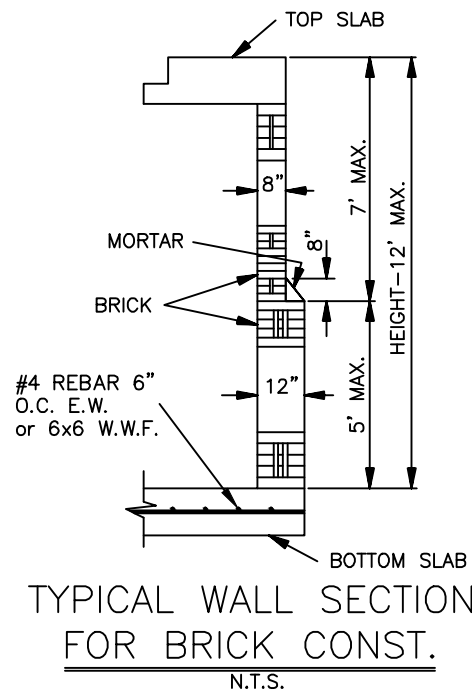
Donna O'Dell, Ph.D., P.E., City Engineer
 P.O. Box 828 Slidell, LA 70459
 FAX (985) 646-6124

Freddy Drennan- Mayor
 1330 Bayou Lane, Suite 112
 (985) 646-4270



TYPICAL DROP INLET
 NTS

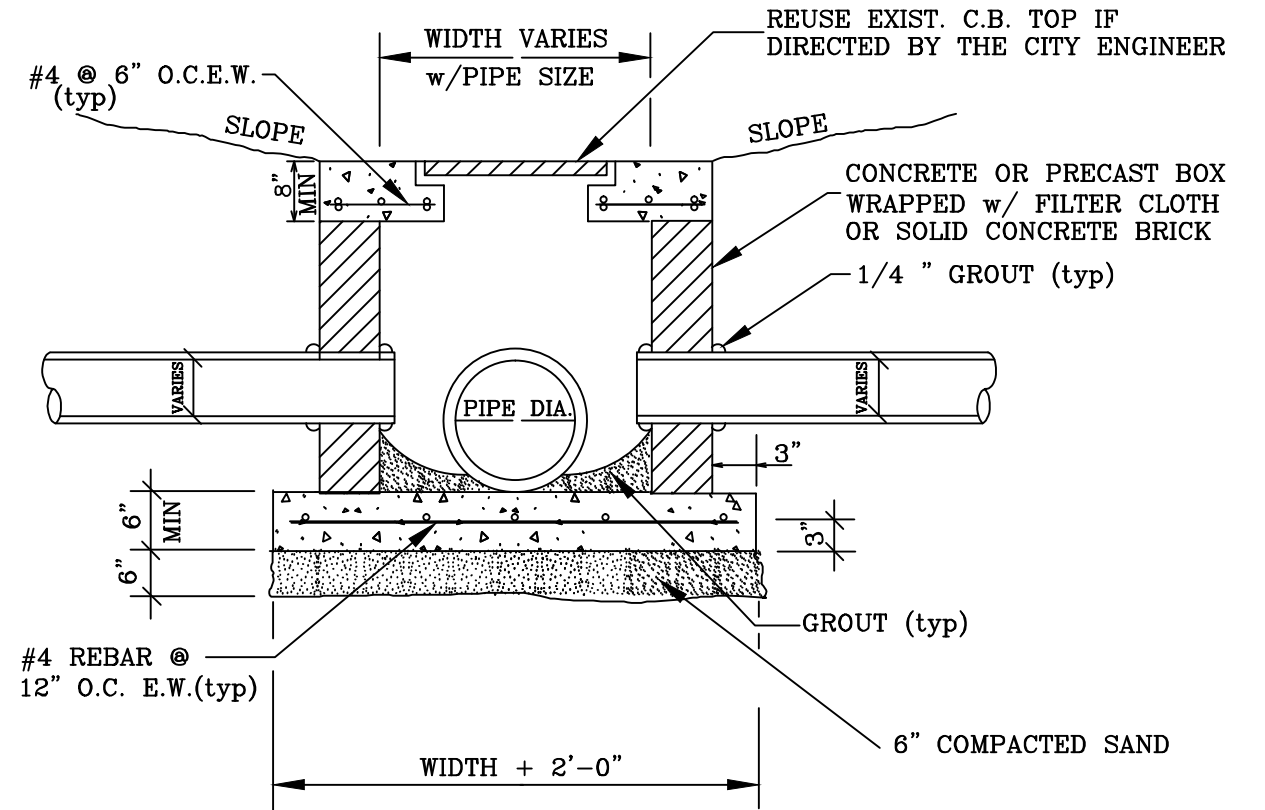
NOTE: NUMBER OF CULVERTS INTO/OUT OF BOX WILL VARY.



TYPICAL WALL SECTION FOR BRICK CONST.
 N.T.S.

NOTES:

1. CATCH BASIN SHALL BE PRECAST, CAST-IN-PLACE, OR SOLID BRICK CONSTRUCTION, AS SHOWN IN DETAIL.
2. CONCRETE STRENGTH TO BE 3,000 PSI (MIN)
3. WHEN BOX IS 7'-0" OR LESS IN HEIGHT, WALLS ARE TO BE 8" THICK. WHEN BOX'S HEIGHT IS GREATER THAN 7'-0" BUT LESS THAN 12'-0" SEE WALL SECTION.
4. ALL MASONRY TO BE LAID WITH RUNNING BOND AND HEADER COURSE (EVERY FOURTH LAYER).
5. ALL WALLS TO BE PLASTERED 1/2" THICK INSIDE AND OUTSIDE.
6. 12" THICK CRUSHED STONE BEDDING FOUNDATION SHALL BE REQUIRED UNDER ALL MANHOLES AND CATCH BASINS. (NOT SHOWN ON PLANS)
7. CAST-IN-PLACE CATCH BASINS SHALL COMPLY WITH DOTD STANDARD PLANS AND SPECIFICATIONS.



SECTION DROP INLET
 NTS

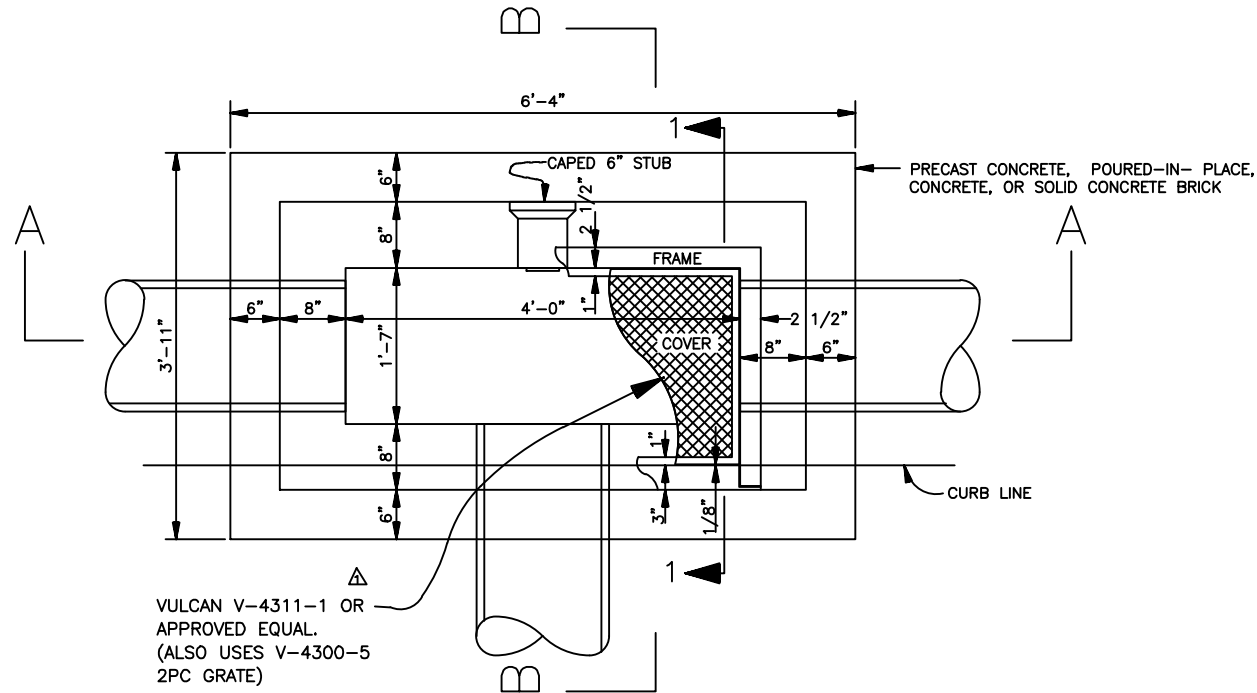


| | | |
|--------------------------------------|------------------|--------|
| DROP INLET | | |
| CITY OF SLIDELL ENGINEERING DEPT. | | |
| Annual Maintenance Contract FY' 2014 | | |
| DRAWN BY: JMC | FILE No: 950-41D | SHT 10 |
| Approved By: DSO | DATE: 08/02/10 | |

Donna O'Dell, Ph.D., P.E., City Engineer
 P.O. Box 828 Slidell, LA 70459
 FAX (985) 646-6124

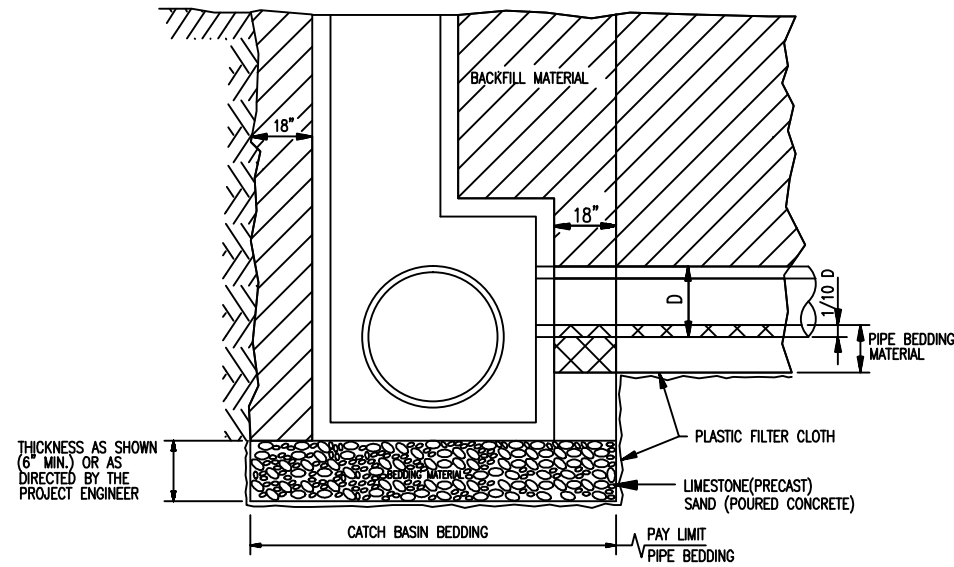
Freddy Drennan- Mayor
 1330 Bayou Lane, Suite 112
 (985) 646-4270

NOTE: 1. NUMBER OF CULVERTS INTO/OUT BOX WILL VARY.
 2. SEE SHT 13 FOR SECTION 1-1.



TYPICAL PLAN OF CURB SIDE CATCH BASIN

N.T.S.



PROFILE OF TYPICAL CURB SIDE SECTION B-B CATCH BASIN & PIPE

N.T.S.



FRONT ELEVATION CURB SIDE CATCH BASIN SECTION A'-A'

N.T.S.



CURB SIDE INLET DETAILS

CITY OF SLIDELL ENGINEERING DEPT.

Annual Maintenance Contract FY' 2014

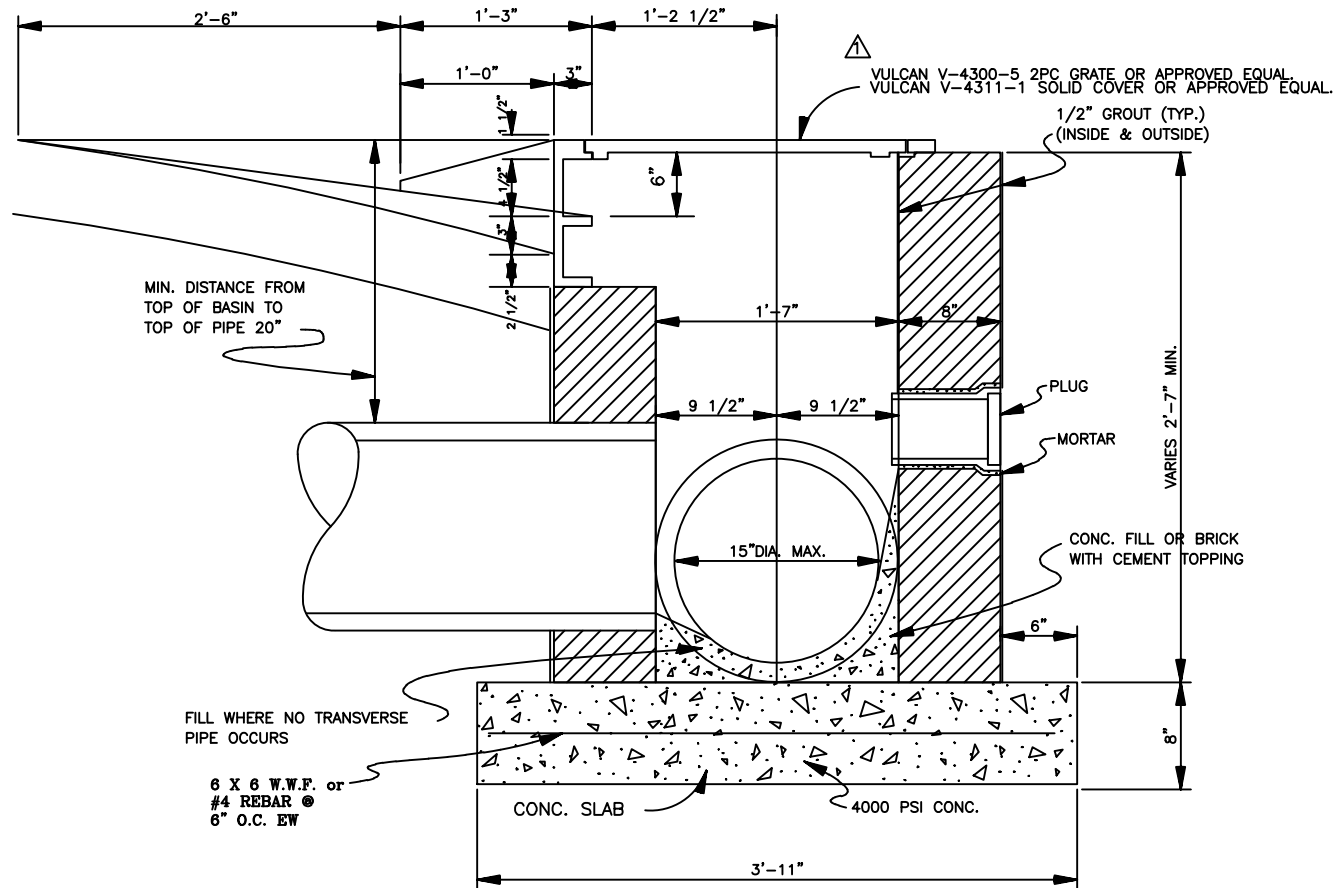
DRAWN BY: JMC FILE No: 950-41D

Approved By: DSO DATE: 08/02/10

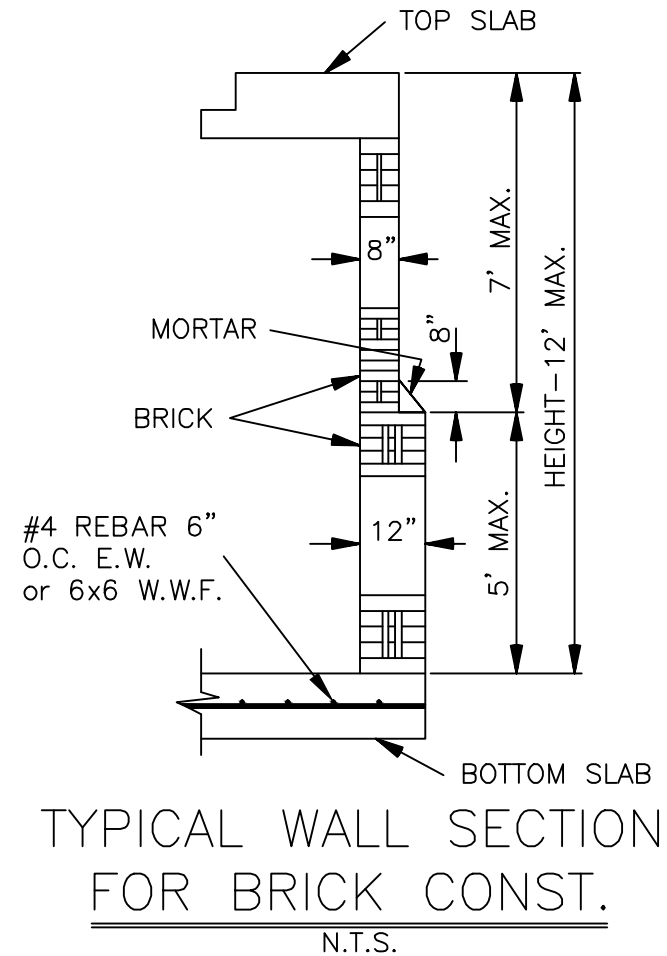
SHT 11

Donna O'Dell, Ph.D., P.E., City Engineer
 Slidell, LA 70459
 P.O. Box 828
 FAX (985) 646-6124

Freddy Drennan- Mayor
 1330 Bayou Lane, Suite 112
 (985) 646-4270



CURB SIDE DROP INLET SECTION 1
 N.T.S.



TYPICAL WALL SECTION FOR BRICK CONST.
 N.T.S.

NOTES:

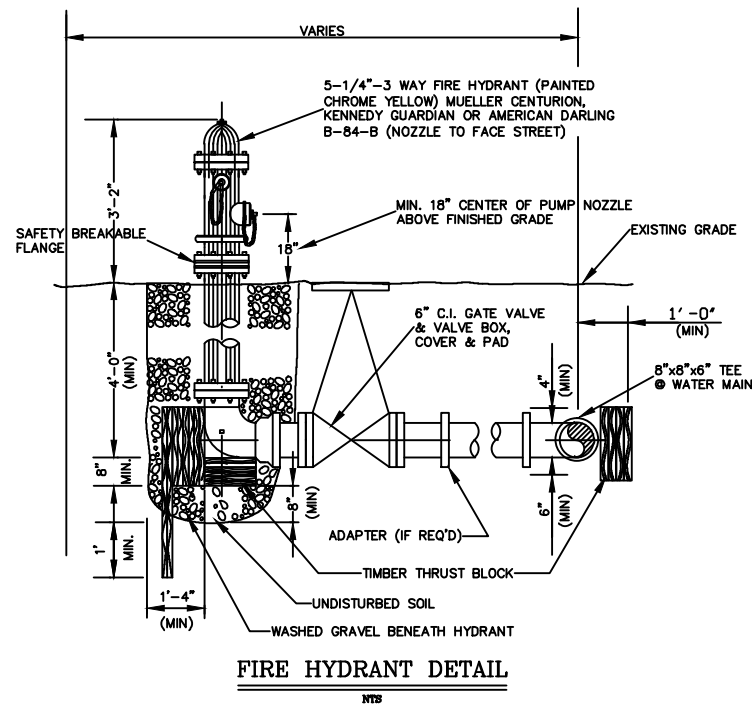
1. CATCH BASIN SHALL BE PRECAST, CAST-IN-PLACE, OR SOLID BRICK CONSTRUCTION, AS SHOWN IN DETAIL.
2. CONCRETE STRENGTH TO BE 3,000 PSI (MIN)
3. WHEN BOX IS 7'-0" OR LESS IN HEIGHT, WALLS ARE TO BE 8" THICK. WHEN BOX'S HEIGHT IS GREATER THAN 7'-0" BUT LESS THAN 12'-0" SEE WALL SECTION.
4. ALL MASONRY TO BE LAID WITH RUNNING BOND AND HEADER COURSE (EVERY FOURTH LAYER).
5. ALL WALLS TO BE PLASTERED 1/2" THICK INSIDE AND OUTSIDE.
6. 12" THICK CRUSHED STONE BEDDING FOUNDATION SHALL BE REQUIRED UNDER ALL MANHOLES AND CATCH BASINS. (NOT SHOWN ON PLANS)
7. CAST-IN-PLACE CATCH BASINS SHALL COMPLY WITH DOTD STANDARD PLANS AND SPECIFICATIONS.



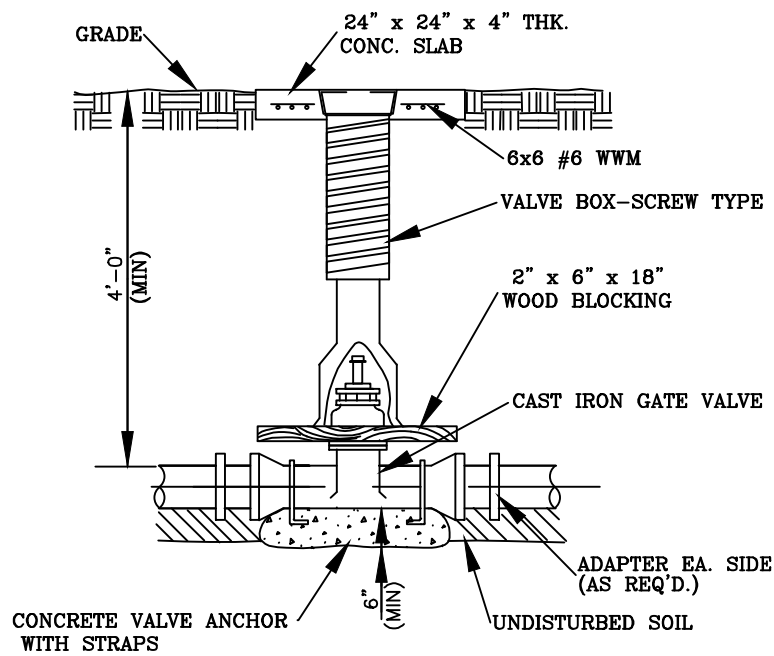
| | | |
|--------------------------------------|------------------|--------|
| BEDDING DETAILS | | |
| CITY OF SLIDELL ENGINEERING DEPT. | | |
| Annual Maintenance Contract FY' 2014 | | |
| DRAWN BY: JMC | FILE No: 950-41D | SHT 12 |
| Approved By: DSO | DATE: 08/02/10 | |

Donna O'Dell, Ph.D., P.E., City Engineer
 Slidell, LA 70459
 P.O. Box 828
 FAX (985) 646-6124

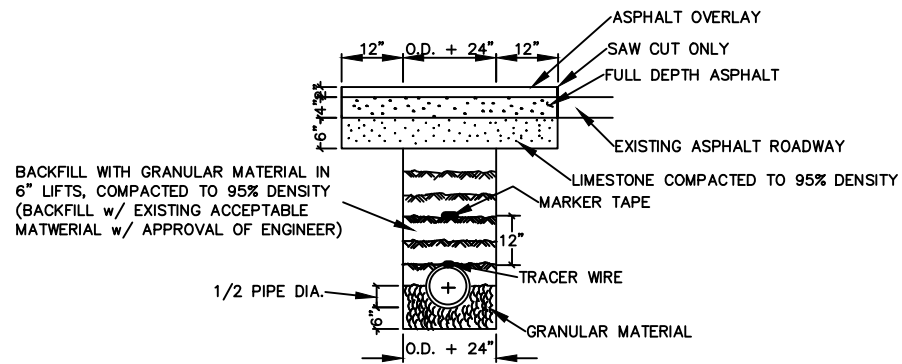
Freddy Drennan- Mayor
 1330 Bayou Lane, Suite 112
 (985) 646-4270



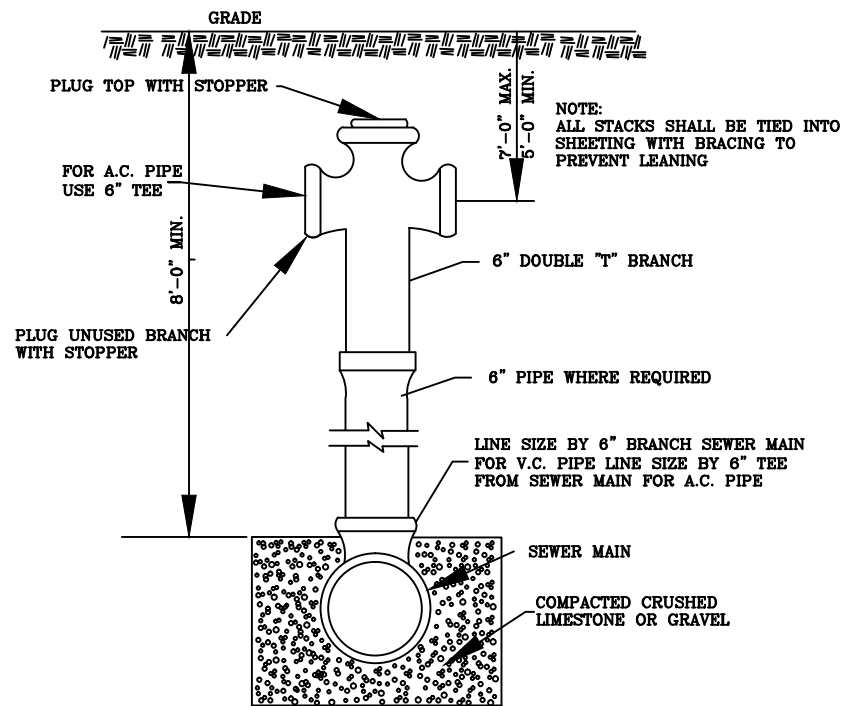
FIRE HYDRANT DETAIL
NTS



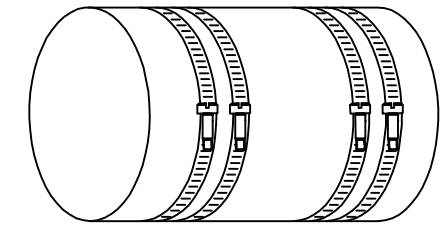
TYPICAL VALVE BOX DETAIL
NTS



TYPICAL ASPHALT ROADWAY SAW CUT SECTION FOR WATER OR SEWER LINES
NTS

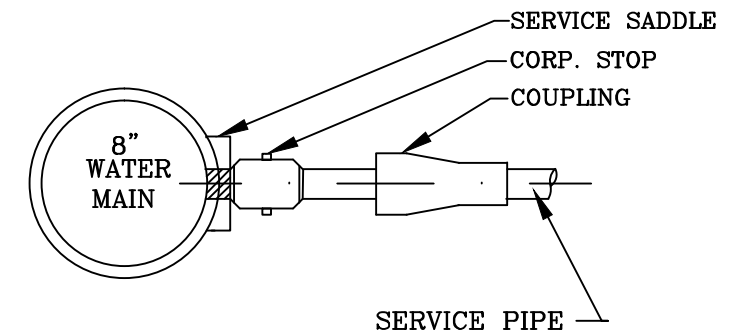


DETAIL OF RISER
NTS

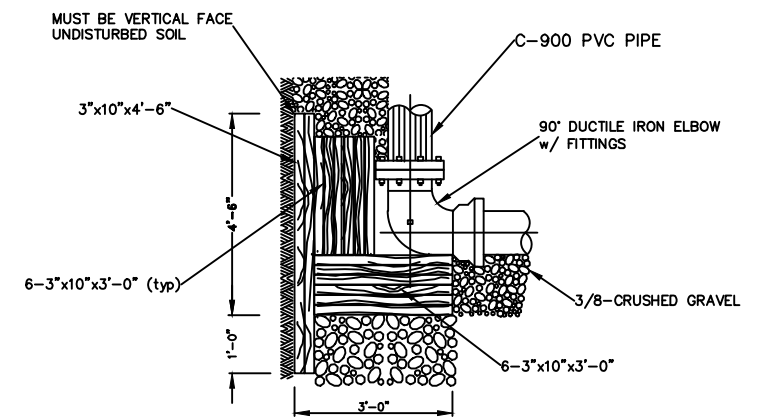


Sewer Repair Coupling

NTS
 NOTE: STAINLESS STEEL SHEAR RING IN 6", 8", 10" AND 12" SIZES REQ'D.



DETAIL OF SERVICE CONNECTION FOR TAPS TO MAINS
NTS



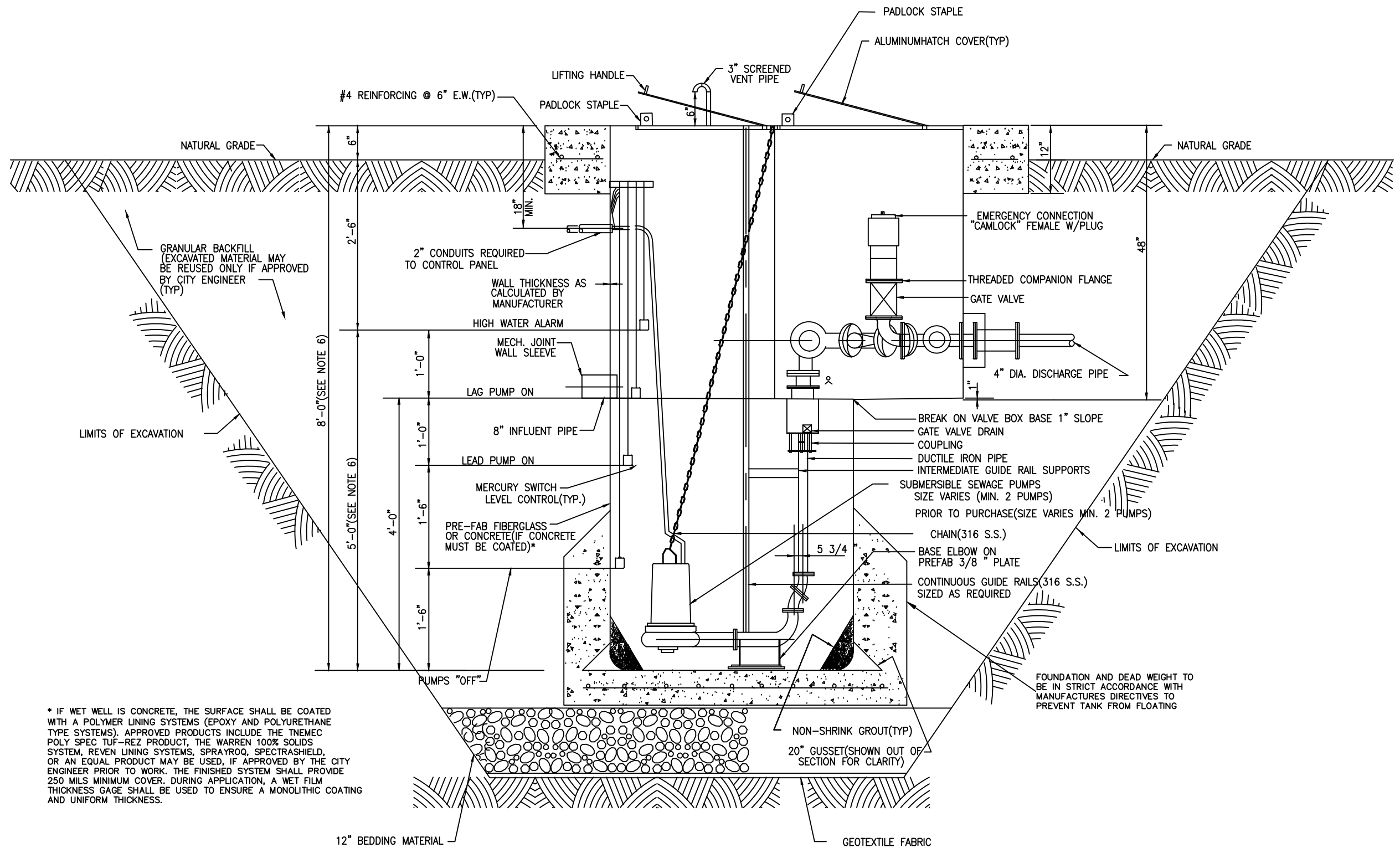
TIMBER THRUST BLOCK DETAIL
NTS

NOTE:
 TIMBER BLOCKING REQUIRED AT ALL CHANGES IN DIRECTION GREATER THAN 22 1/2°. ALL TIMBER BLOCKING SHALL BE TREATED LUMBER.

| | | |
|------------------|--------------------------------------|------------------|
| | WATER DETAILS | |
| | CITY OF SLIDELL ENGINEERING DEPT. | |
| | Annual Maintenance Contract FY' 2014 | |
| | DRAWN BY: JMC | FILE No: 950-41D |
| Approved By: DSO | DATE: 08/02/10 | |

Donna O'Dell, Ph.D., P.E., City Engineer
 Slidell, LA 70459
 P.O. Box 828
 FAX (985) 646-6124

Freddy Drennan- Mayor
 1330 Bayou Lane, Suite 112
 (985) 646-4270



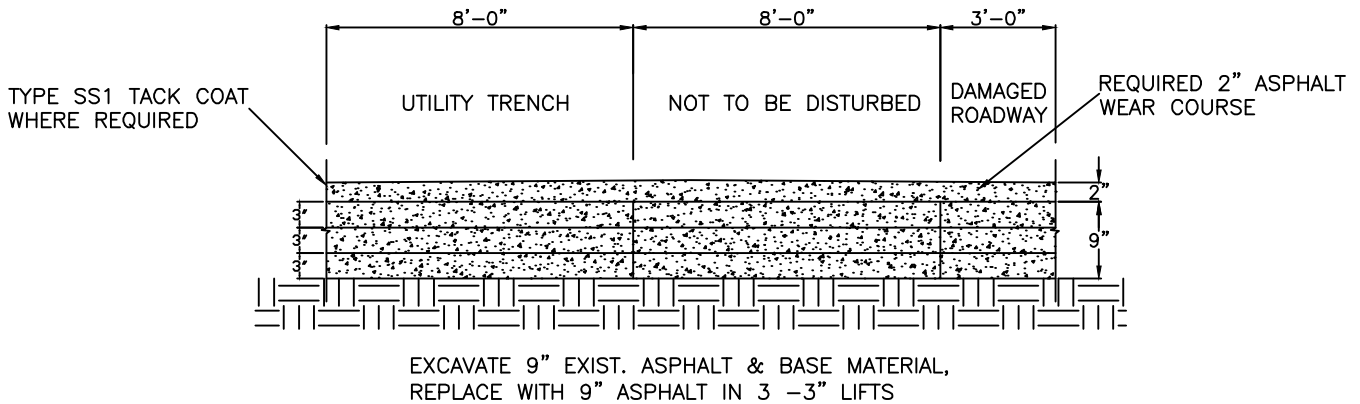
* IF WET WELL IS CONCRETE, THE SURFACE SHALL BE COATED WITH A POLYMER LINING SYSTEMS (EPOXY AND POLYURETHANE TYPE SYSTEMS). APPROVED PRODUCTS INCLUDE THE TNEPEC POLY SPEC TUF-REZ PRODUCT, THE WARREN 100% SOLIDS SYSTEM, REVEN LINING SYSTEMS, SPRAYROQ, SPECTRASHIELD, OR AN EQUAL PRODUCT MAY BE USED, IF APPROVED BY THE CITY ENGINEER PRIOR TO WORK. THE FINISHED SYSTEM SHALL PROVIDE 250 MILS MINIMUM COVER. DURING APPLICATION, A WET FILM THICKNESS GAGE SHALL BE USED TO ENSURE A MONOLITHIC COATING AND UNIFORM THICKNESS.

TYPICAL LIFT STATION DETAILS

NTS



| | | |
|--------------------------------------|------------------|--------|
| LIFT STATION DETAILS | | |
| CITY OF SLIDELL ENGINEERING DEPT. | | |
| Annual Maintenance Contract FY' 2014 | | |
| DRAWN BY: JMC | FILE No: 950-41D | SHT 14 |
| Approved By: DSO | DATE: 08/02/10 | |



ASPHALT ROADWAY DEEP PATCH FOR REPAIRS

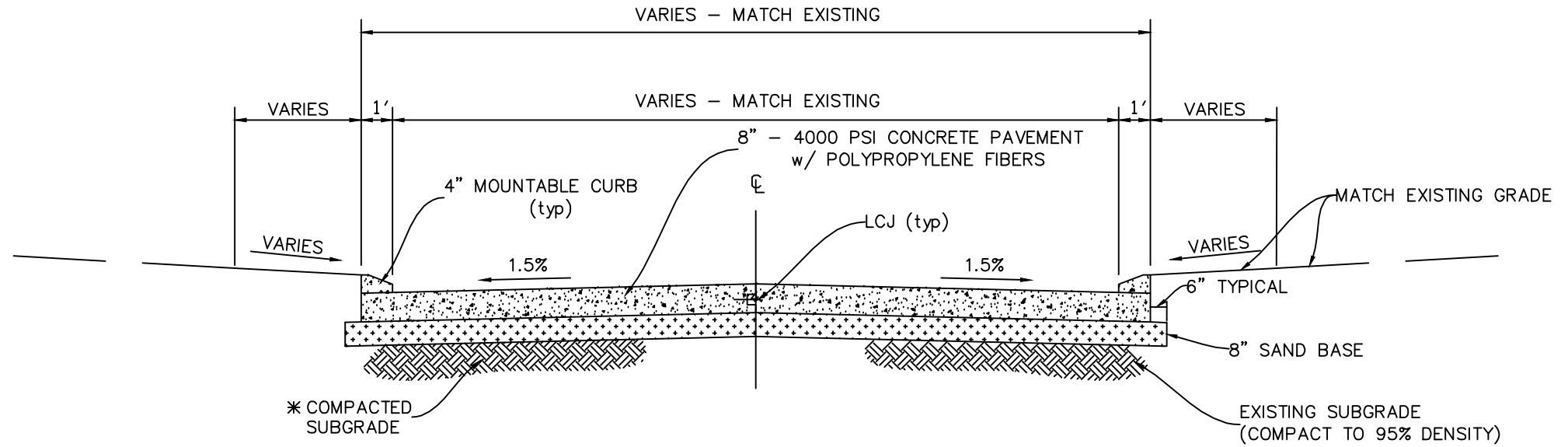
NTS

NOTES FOR BASE REPAIRS:

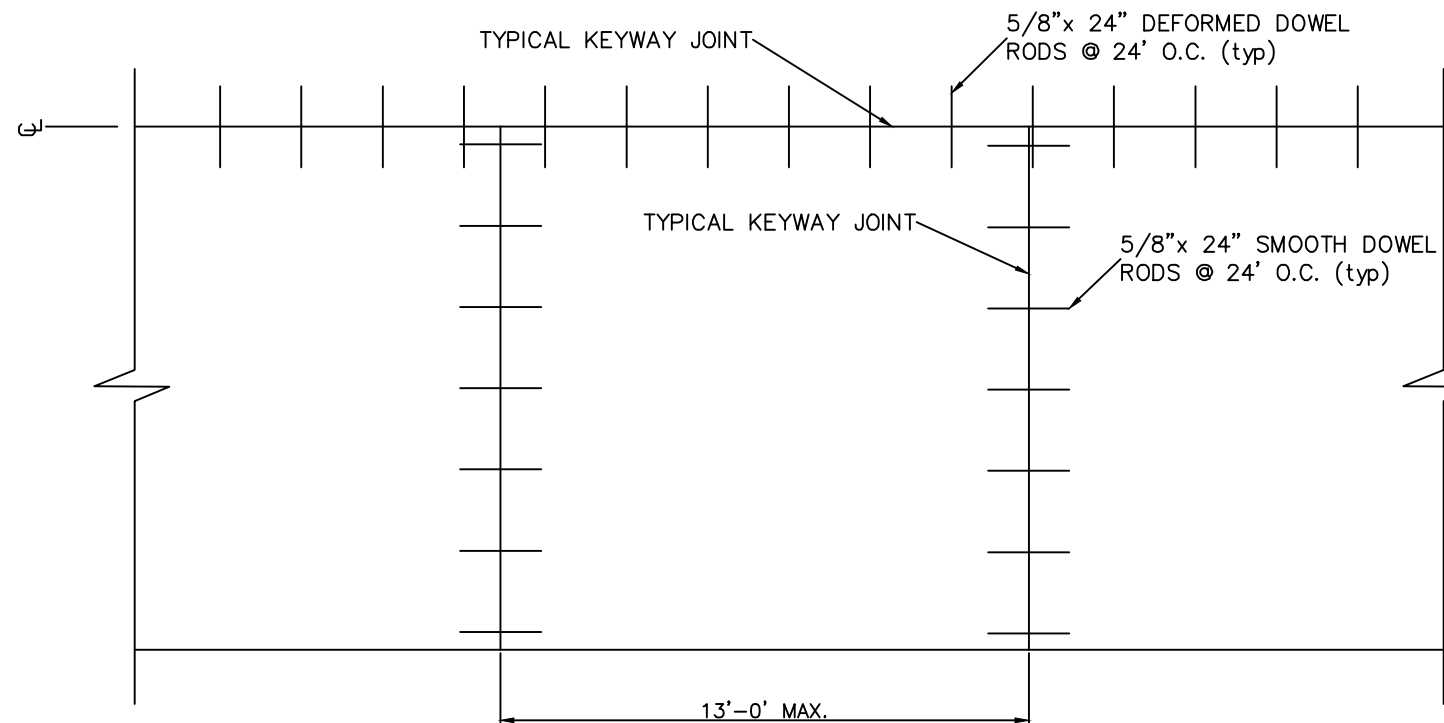
1. AREAS OF PATCHING AND POTHOLE REPAIR TO BE DETERMINED IN THE FIELD WITH THE ENGINEER OR REPRESENTATIVE PRESENT PRIOR TO REPAIR.
2. REMOVE THE SURFACING AND BASE MATERIAL TO THE DEPTH AT WHICH BASE FAILURE OCCURRED.
3. THE CUT AROUND THE FAILED AREAS SHOULD BE RETANGULAR WITH FACES STRAIGHT AND VERTICAL AND SHOULD EXTEND AT LEAST 12" INTO GOOD PAVEMENT OUTSIDE THE FAILED AREA.
4. TACK COAT THE PREPARED EDGES OF THE SURFACE SURROUNDING THE AREA BEING REPAIRED TO ENSURE A BOND BETWEEN THEM AND THE PATCH MATERIAL.

ASPHALT ROADWAY DETAILS

| | | |
|------------------|--------------------------------------|------------------|
| | DRIVEWAY CONNECTIONS-ASPHALT | |
| | CITY OF SLIDELL ENGINEERING DEPT. | |
| | Annual Maintenance Contract FY' 2014 | |
| | DRAWN BY: JMC | FILE No: 950-41D |
| Approved By: DSO | DATE: 05/04/10 | SHT 15 |



TYPICAL PROPOSED ROADWAY SECTION



STANDARD SPLIT STREET DETAIL



| | | |
|--------------------------------------|------------------|--------|
| STANDARD STREET REPAIRS | | |
| CITY OF SLIDELL ENGINEERING DEPT. | | |
| Annual Maintenance Contract FY' 2014 | | |
| DRAWN BY: JMC | FILE No: 950-41D | SHT 16 |
| Approved By: DSO | DATE: 08/02/10 | |