

FIFTH FLOOR PLAN
 SCALE: 1/8" = 1'-0"

FINISH SCHEDULE

ROOM	FLOOR	BASE	WALLS	Ceilings	CLG HT	REMARKS
500	CONCRETE	VINYL TILE	CONCRETE	GYPSUM BOARD	8'-6"	CARPET & PAD
501	CARPET	CARPET	PAINTED WOOD	GREENBOARD	9'-0"	
502	CARPET	CARPET	PAINTED WOOD	PAINT	9'-0"	
503	CARPET	CARPET	PAINTED WOOD	CONCRETE	9'-0"	
504	CARPET	CARPET	PAINTED WOOD	ACQUSTIC TILE	9'-0"	
505	CARPET	CARPET	PAINTED WOOD	GYPSUM BOARD	9'-0"	
506	CARPET	CARPET	PAINTED WOOD	FRP BOARD	9'-0"	
507	CARPET	CARPET	PAINTED WOOD	OPEN	9'-0"	
508	CARPET	CARPET	PAINTED WOOD	TEXT. CONC.	9'-0"	
510	CARPET	CARPET	PAINTED WOOD		9'-0"	
511	CARPET	CARPET	PAINTED WOOD		9'-0"	
512	CARPET	CARPET	PAINTED WOOD		9'-0"	
513	CARPET	CARPET	PAINTED WOOD		9'-0"	
514	CARPET	CARPET	PAINTED WOOD		9'-0"	

NOTE: KITCHEN CABINETS SHALL BE MEDIUM COMMERCIAL GRADE, FACTORY BUILT. COUNTER TOPS SHALL BE MANMADE MARBLE OR EQUAL.

*PEEL & STICK CUSHION BACK CARPET
 CARPET SHALL HAVE CUSHION BACK
 ROOMS 500,501,507,508
 UNDERCUT ALL DOORS 3/4" TO ALL FOR
 PROPER EXHAUST AIR FLOW

NOTE: INSTALL DOORWORK, ENTRANCES AS REQUIRED. SEE DWG M-5 FOR A/E DETAILS

DOOR & HARDWARE SCHEDULE

NO.	TYPE	FRAME	HINGE	LOOK	ACCESSORIES	REMARKS
1	DOOR	SOLID WOOD				STAIN & VARNISH
2	DOOR	HOLLOW				
3	DOOR	ALUM./GLASS				
4	DOOR	STEEL				
5	DOOR	MASONITE				
6	DOOR	STEEL ALUMINUM				
7	DOOR	WOOD				
8	DOOR	CASED OPENING				
9	DOOR	DBL SWING				
10	DOOR	BUTT 1 1/2"				
11	DOOR	BURGLARPROOF				
12	DOOR	SLIDING				
13	DOOR	MAGNETIC				
14	DOOR	PRIVACY				
15	DOOR	DEADBOLT				
16	DOOR	KEYED HANDLE				
17	DOOR	PUSH PULL				
18	DOOR	PANIC				
19	DOOR	THRESHOLD				
20	DOOR	WEATHERSTRIP				
21	DOOR	DOOR STOP				
22	DOOR	CLOSER				
23	DOOR	WIRED GLASS				
24	DOOR	GLASS LIGHT				

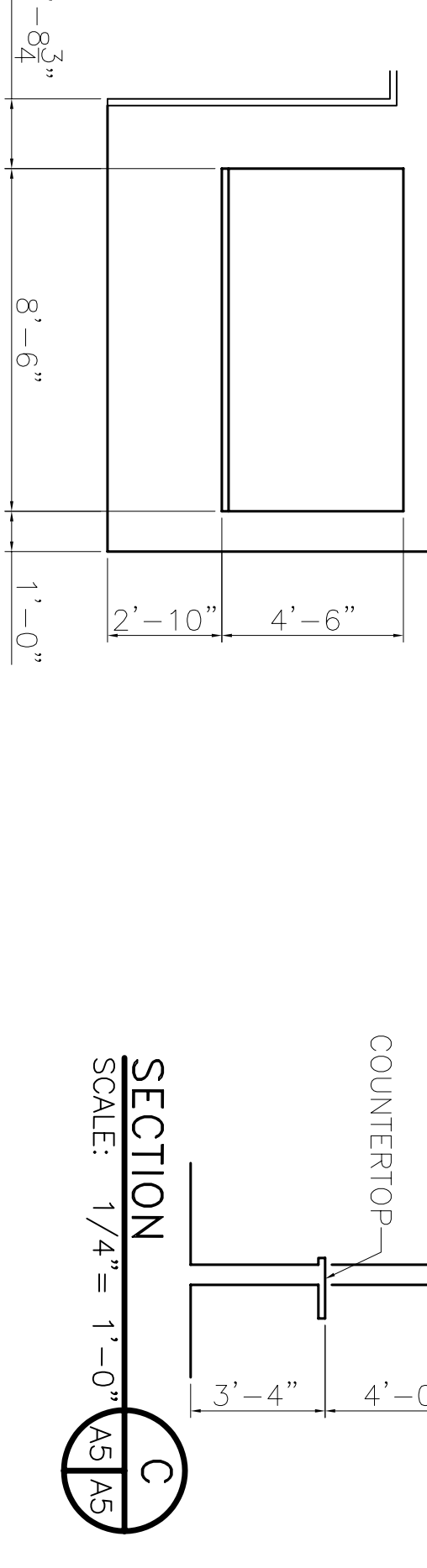
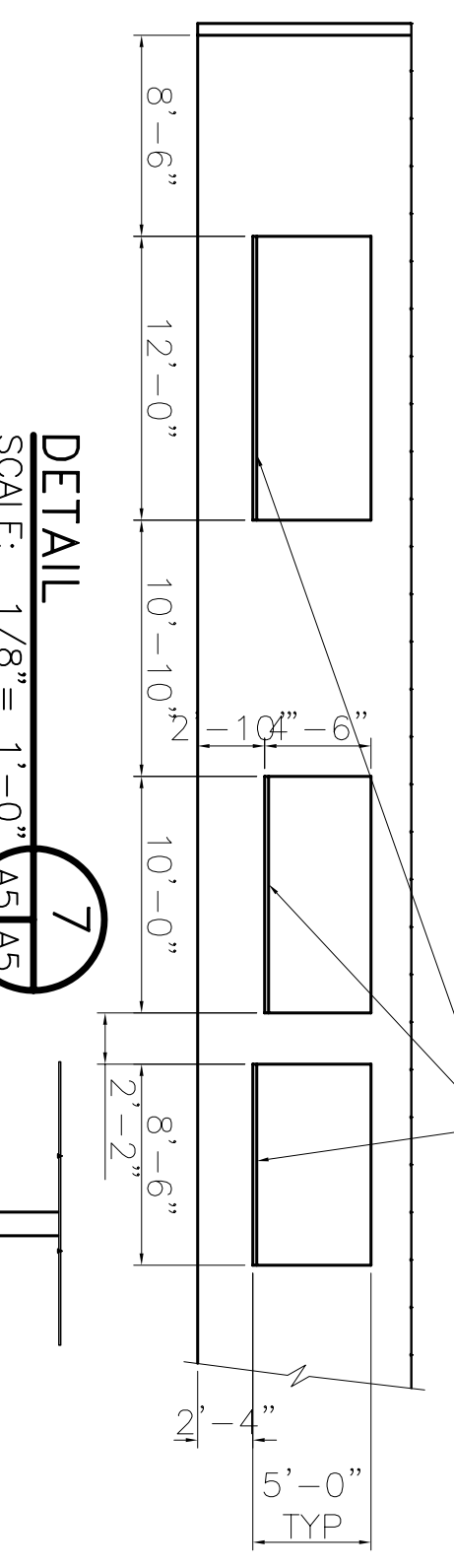
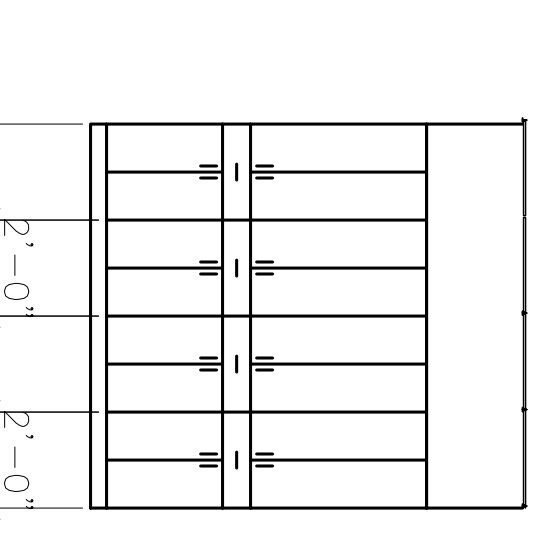
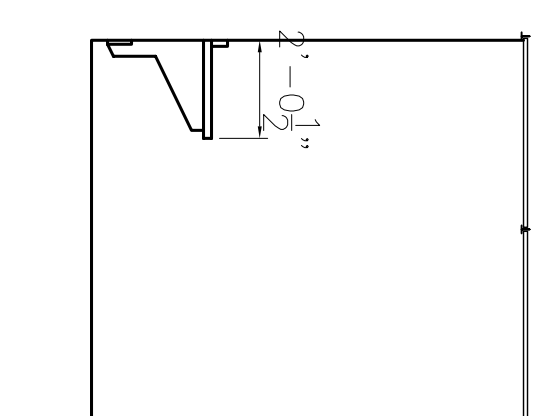
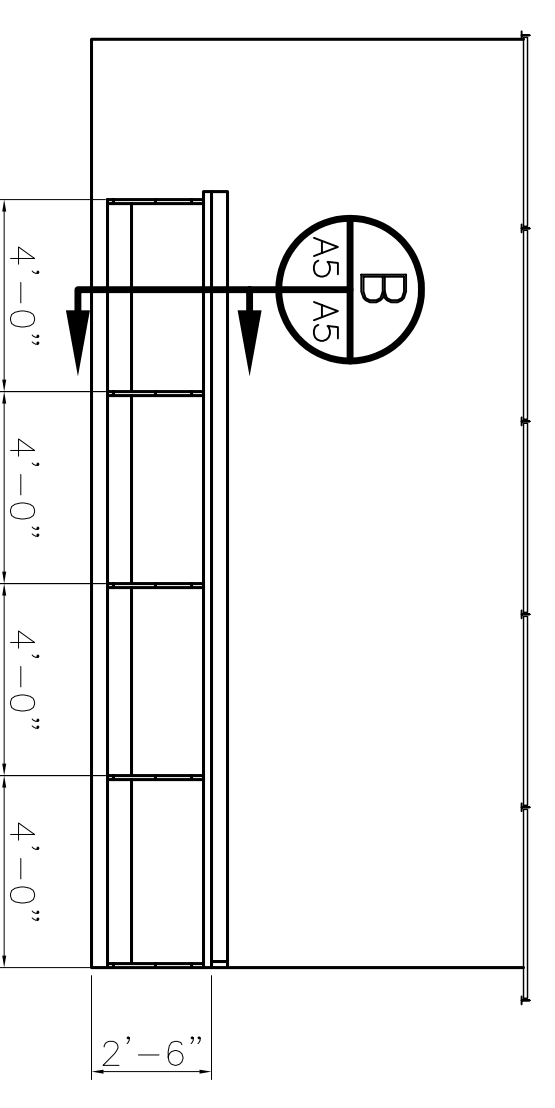
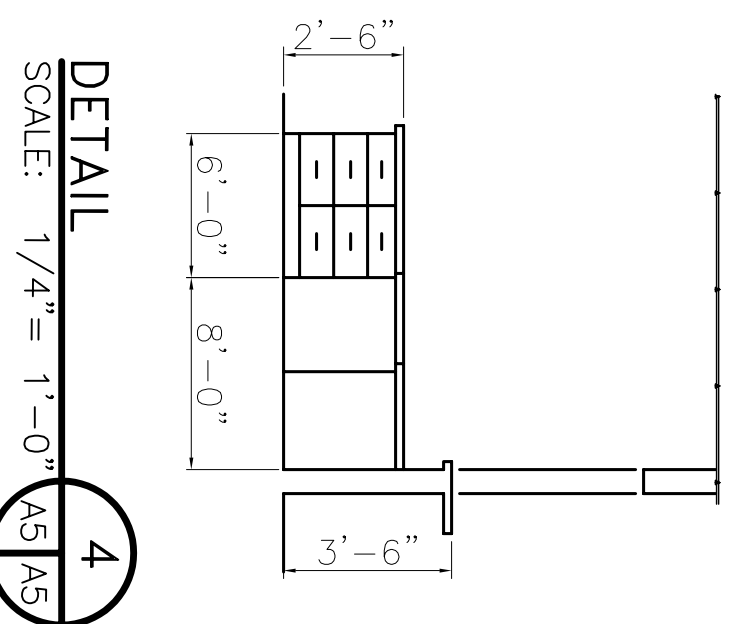
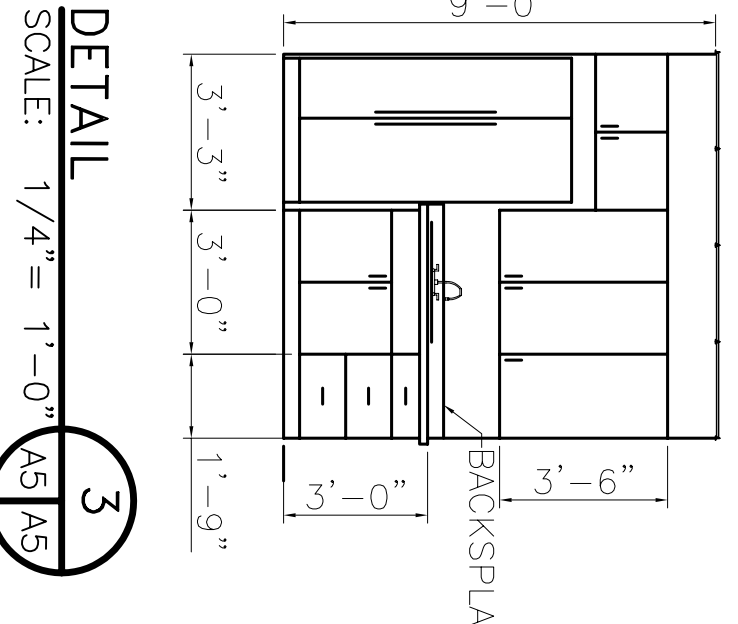
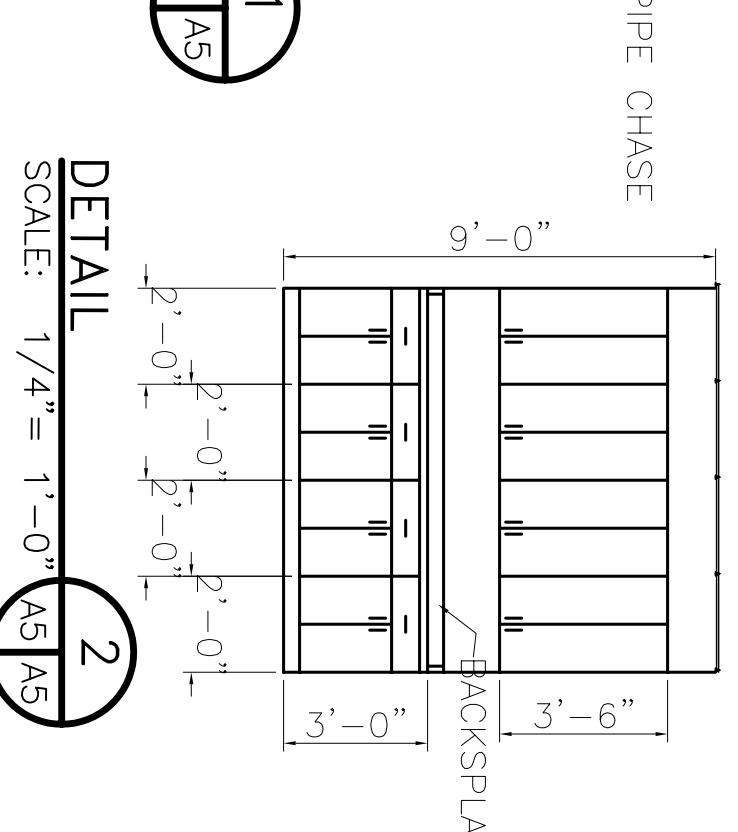
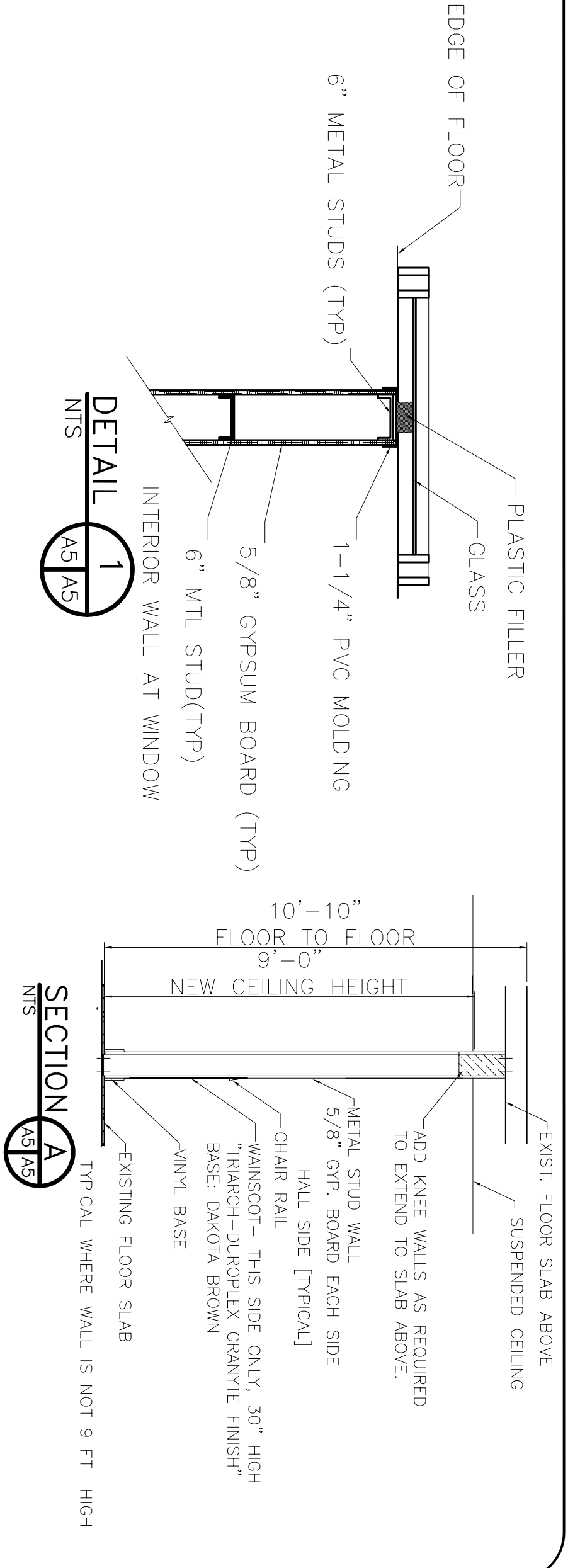
DOORS SHOWN WITH ▲ SHALL BE EQUIPPED WITH ELECTRIC STRIKE FOR CARD READER

WINDOW SCHEDULE

NO.	TYPE	FRAME	GLASS	LITES	ACCESSORIES	REMARKS
1	WINDOW	FIXED				APPROXIMATELY 3,700 SQ. FT.
2	WINDOW	HORIZONTAL SLIDE				
3	WINDOW	STORE FRONT				
4	WINDOW	STEEL ALUMINUM				
5	WINDOW	WOOD				
6	WINDOW	TINTED				
7	WINDOW	PLAIN				
8	WINDOW	GLAZED				
9	WINDOW	WIREGLASS				
10	WINDOW	NONE				
11	WINDOW	2/2				
12	WINDOW	4/4				
13	WINDOW	6/6				
14	WINDOW	8/8				
15	WINDOW	ALARM				
16	WINDOW	SCREEN				
17	WINDOW	SHUTTER				
18	WINDOW	LOCK				
19	WINDOW	VENETIAN BLINDS				
20	WINDOW					SLIDING SERVICE WINDOW

* FINAL SIZES TO BE DETERMINED BY VENDOR FROM FIELD MEASUREMENTS [TYP. ALL FLOORS]

▲ = ADDENDUM 4 CHANGE
 ☁ = 09/19/07 CHANGE



REVISIONS:
 REVISED: 03/18/09cd
 REVISED: 11/05/07ab
 REVISED: 10/10/07ab
 REVISED: 09/19/07ab
 REVISED: 08/20/07ab
 REVISED: 05/17/07ab
 REVISED: 02/19/07
 REVISED: 01/23/07

CONTRACT SET- 10/10/07