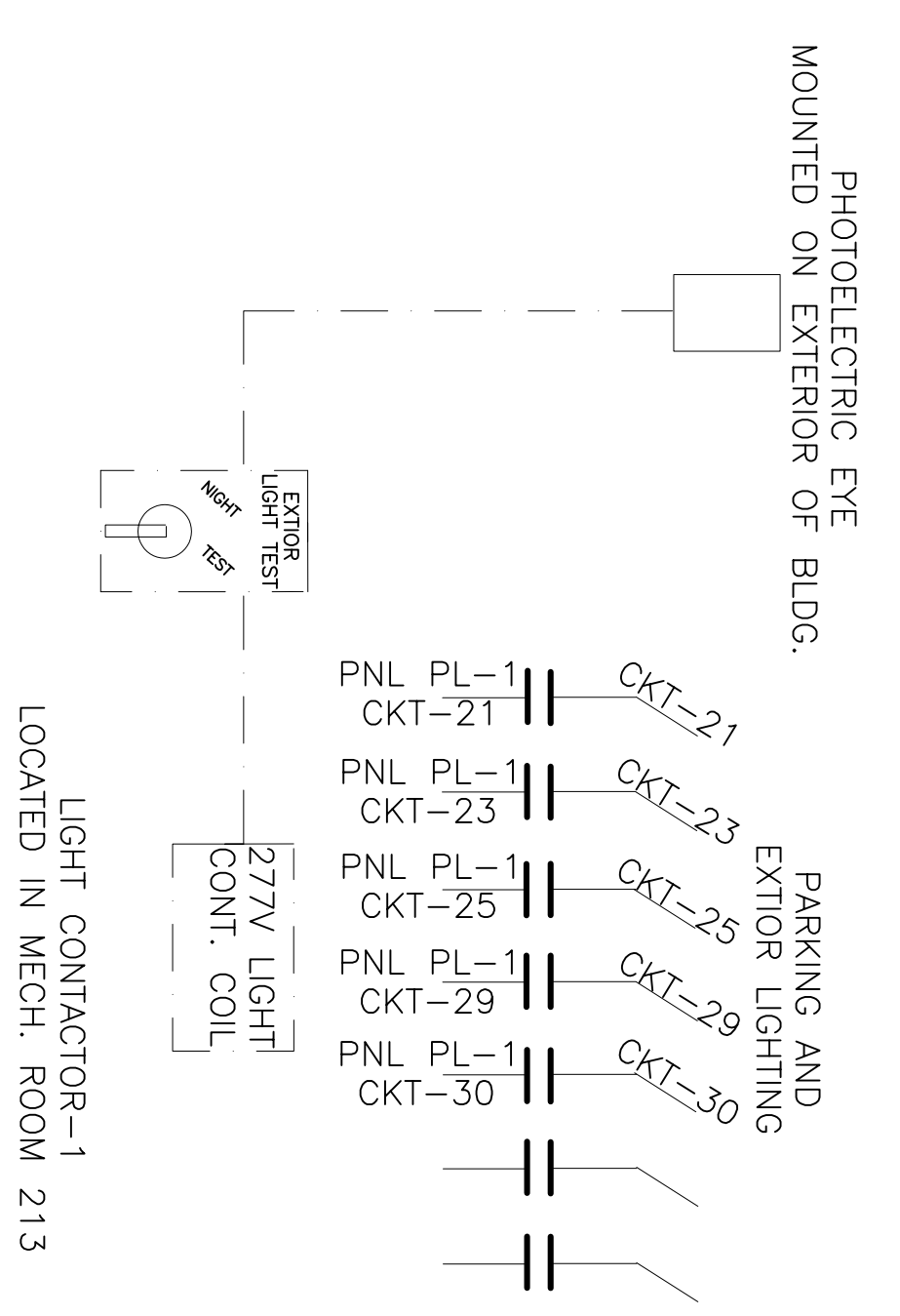


SGT ALFRED DRIVE



LIGHT CONTRACTOR-1
LOCATED IN MECH. ROOM 213

PHOTOELECTRIC EYE
MOUNTED ON EXTERIOR OF BLDG.

PARKING AND
EXTERIOR LIGHTING

- PNL PL-1 CKT-21
- CKT-21
- PNL PL-1 CKT-23
- CKT-23
- PNL PL-1 CKT-25
- CKT-25
- PNL PL-1 CKT-29
- CKT-29
- PNL PL-1 CKT-30
- CKT-30

277V LIGHT
CONT. COIL

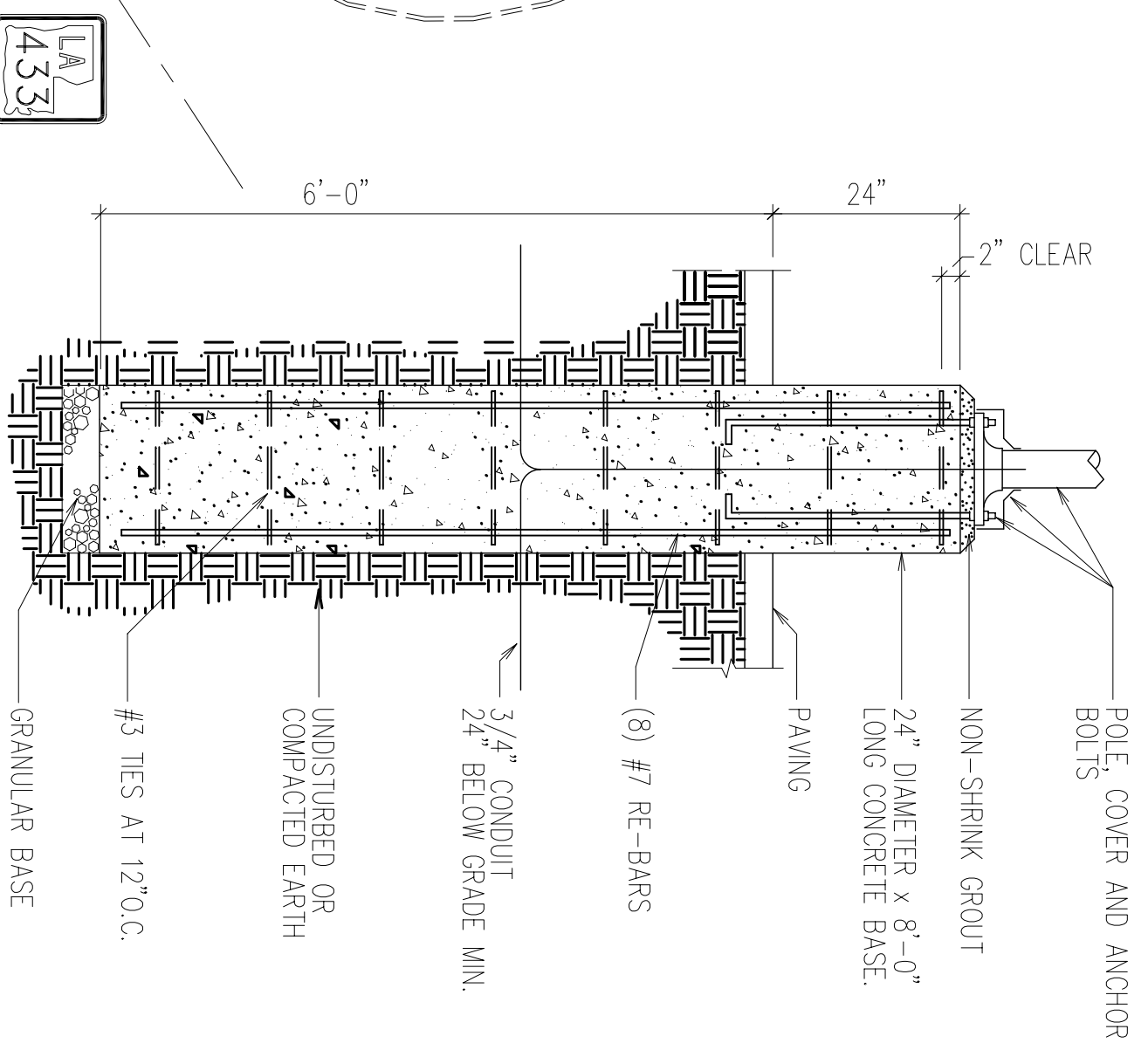
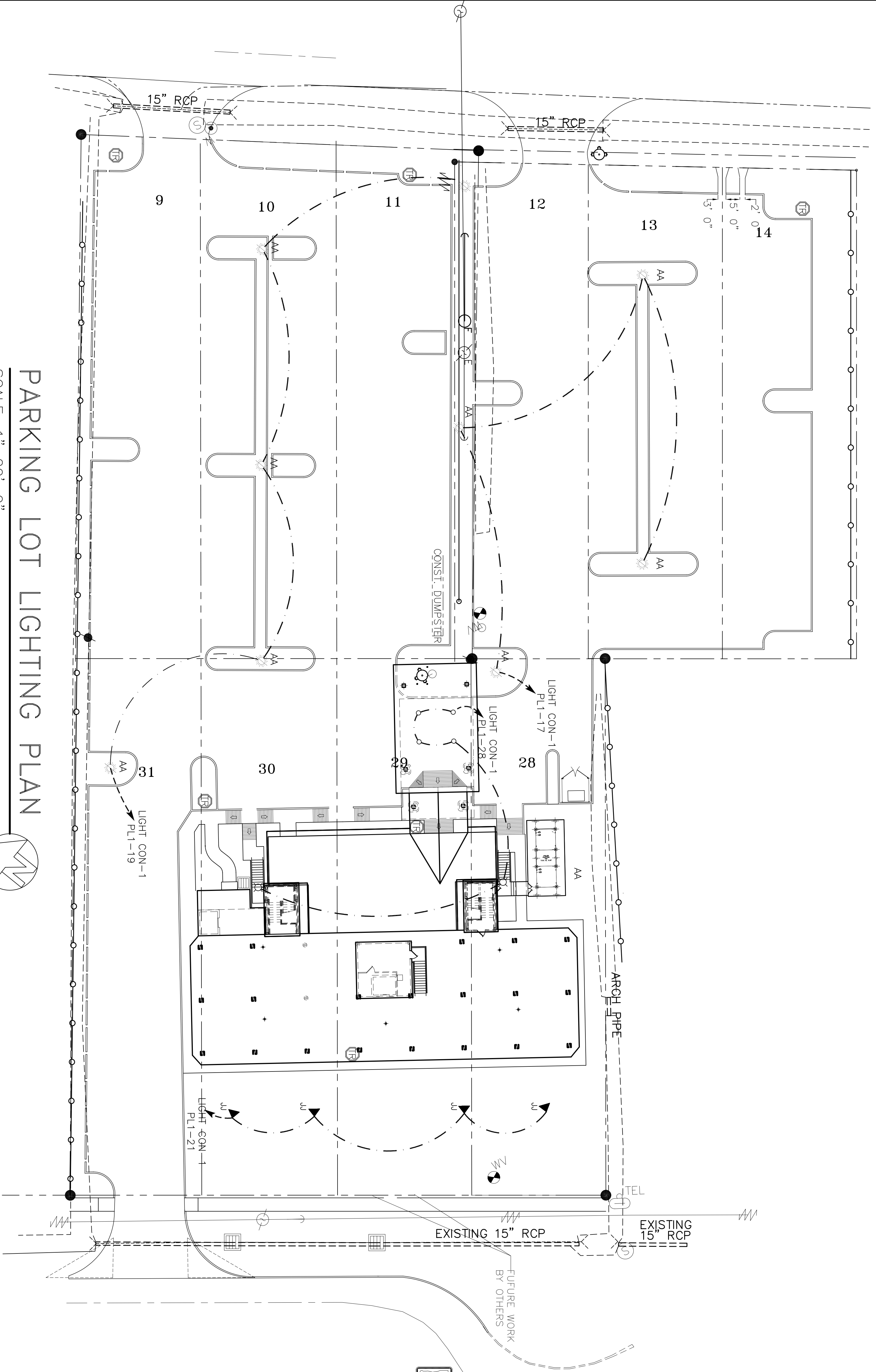
NOTE:
ALL UTILITIES SHALL BE INSTALLED UNDERGROUND.

SITE LIGHTING

EXTERIOR LIGHTING SHALL BE SHADED OR INWARDLY DIRECTED IN SUCH A MANNER SO THAT NO DIRECT LIGHTING OR GLARE IS CAST BEYOND THE PROPERTY LINE. THE INTENSITY OF SUCH LIGHTING SHALL NOT EXCEED ONE FOOT CANDLE AS MEASURED AT THE ABUTTING PROPERTY LINE.

LUMINAIRE TYPE SUMMARY

TYPE	BRAND NAME	CATALOG NUMBER	QUANTITY
AA	LITHONIA	KVR2	10
BB	-	-	4
BB1	-	-	2
JJ	CONSOLIDATED ARCH. LIGHTING	DCM-B2-AN1-BLACK	4
AA	ON A 30' POLE WITH A 2 FOOT PERISTACK	-	9
JJ	GROUND MOUNTED	-	9



LIGHT POLE DETAIL

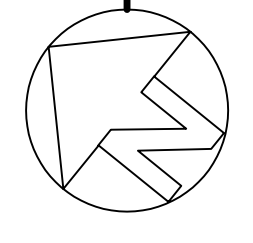
N. T. S.

LEGEND

- PROPERTY LINE
- FENCE LINE
- WIRING
- 2 @ 90° LUMINAIRE
- 250W 277V HP SODIUM
- LANDSCAPE UPLIGHT

PARKING LOT LIGHTING PLAN

SCALE: 1"=20'-0"



PARKING LOT LIGHTING PLAN

ST. TAMMANY PARISH OFFICE BUILDING
520 OLD SPANISH TRAIL
SLIDELL, LOUISIANA

RENOVATE OFFICE BUILDING

DAMMON ENGINEERING. INC.

1095 FLORIDA AVENUE 985-649-5832 SLIDELL, LA. 70458
DAMMONENGINEERING.COM

SCALE: 1"=20'
FILE:
JOB NO. 1729
DATE: 1-8-07
SHEET
E. 14
OF

CONTRACT SET- 10/10/07

REVISED: 03-07-07ab