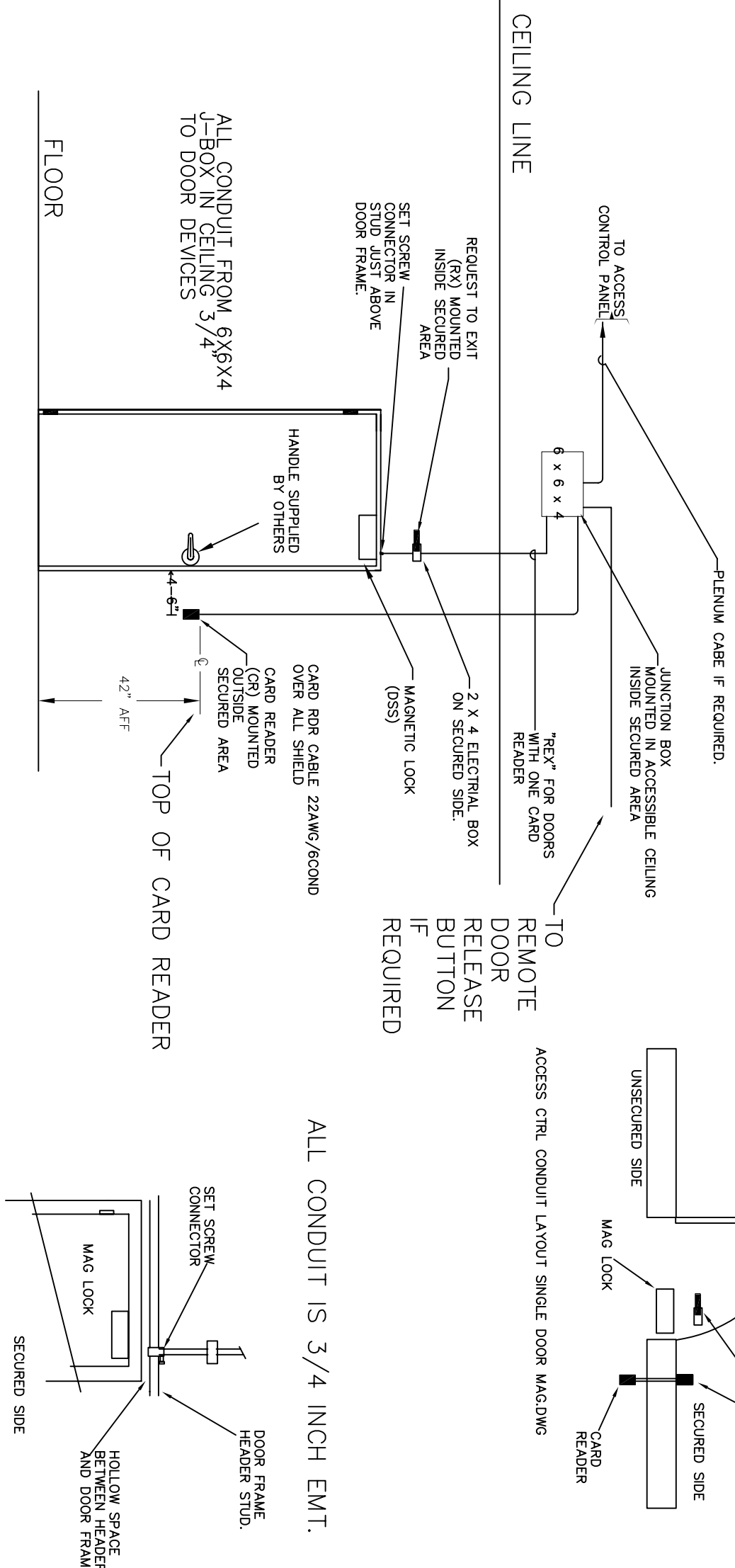


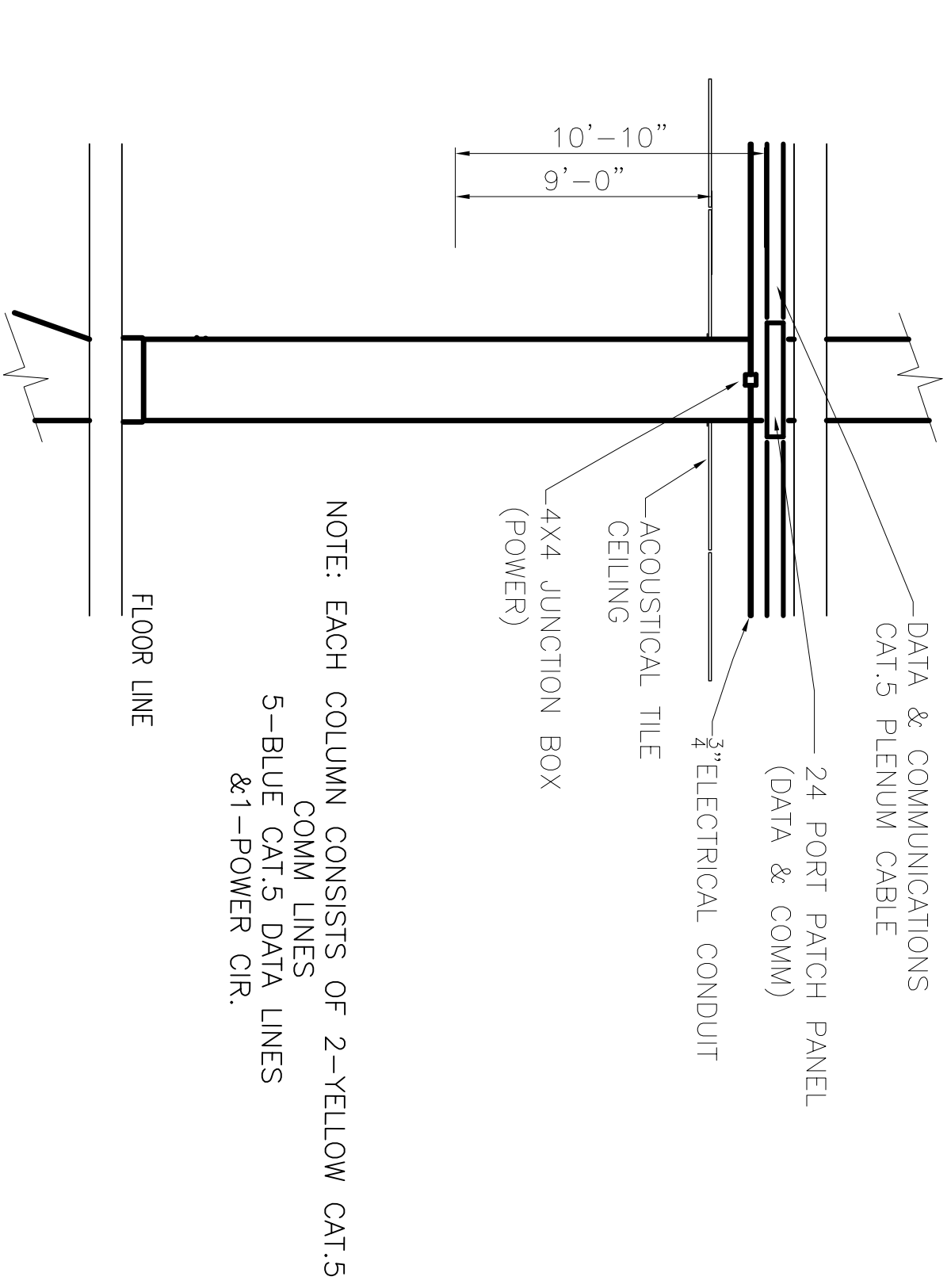
- LEGEND**
- ⊕ NEW DUPLEX RECEPTACLE
 - ⊙ EXHAUST FAN
 - ▴ SECURITY ACCESS DOOR (SCANNER BY OTHERS)
 - ◀ COMM & DATA
 - Ⓜ COLUMN MOUNTED UTILITY
- NOTES**
- ALL NEW POWER PANELS ARE TO BE MOUNTED ON THE NORTH WALL OF THE MECHANICAL ROOMS

ACCESS CONTROL
SINGLE DOOR WITH CARD READER,
MAGNETIC LOCK, REX, JUNCTION
BOX, DOOR CONTACT



FOURTH FLOOR POWER PLAN
SCALE: 3/16" = 1'-0"

- Ⓜ - INDICATES ITEMS CHANGED - 06/27/08
- Ⓜ - INDICATES ITEMS CHANGED - 05/29/08
- A = ADDED



COLUMN MOUNTED UTILITY DETAIL
SCALE: NTS

STAR HVAC REVISED: 05/29/08 db
HVAC REVISED: 11/04/07 ab
REVISED: 01/23/07

RFP #2 11-13-07

4TH FLOOR POWER PLAN
ST. TAMMANY PARISH ADMIN. COMPLEX
OLD SPANISH TRAIL
SLIDELL, LOUISIANA

RENOVATE OFFICE BUILDING

DAMMON ENGINEERING, INC.

1095 FLORIDA AVENUE 985-649-5832 SLIDELL, LA. 70458
DAMMONENGINEERING.COM

SCALE: AS NOTED
FILE:
JOB NO. 1729
DATE: 1-8-07
SHEET
E4P
OF