

**4.6 PARKING AND PASSENGER LOADING ZONES.**

**4.6.1 MINIMUM NUMBER.** Parking spaces required to be accessible by 4.1 shall comply with 4.6.2 and 4.6.3. Loading zones required to be accessible by 4.1 shall comply with 4.6.4 and 4.6.5.

**4.6.2 LOCATION.** Accessible parking spaces shall be provided in a particular building shall be located on the shortest accessible route of travel from adjacent parking to an accessible destination. Accessible parking spaces shall be provided in a particular building with adjacent parking. Accessible passenger loading spaces shall be dispersed and located adjacent to the accessible entrance.

**4.6.3 PARKING SPACES.** Parking spaces for disabled people shall be at least 9'6" (2900 mm) wide and shall have an adjacent access aisle of 12' (3650 mm) wide. Minimum facility entrance and shall comply with 4.2. Two accessible parking spaces shall be provided for every 250 parking spaces. Accessible passenger loading spaces shall be at least 9'6" (2900 mm) wide and shall have an adjacent access aisle of 12' (3650 mm) wide. Exception: If accessible parking spaces for vans were designed for handicapped persons and are not used for accessible access.

**4.7 CURB RAMPS.**

**4.7.1 LOCATION.** Curb ramps complying with 4.7 shall be provided wherever an accessible route crosses a curb.

**4.7.2 SLOPE.** Slopes of curb ramps shall comply with 4.8.2. The slope shall be at least 1:12 (8.33%) and not more than 1:20 (5.00%).

**4.7.3 WIDTH.** The minimum width of a curb ramp shall be 36" (915 mm), exclusive of flared sides.

**4.7.4 SURFACE.** Surfaces of curb ramps shall comply with 4.5.

**4.7.5 SLOPE OF CURB RAMP.** If a curb ramp is located where pedestrians must walk, the curb ramp shall be at least 1:12 (8.33%) and not more than 1:20 (5.00%).

**4.7.6 BUILT-UP CURB RAMP.** Built-up curb ramps shall be located so that they do not project into vehicular traffic lanes (see fig. 13).

**4.7.7 WARNING TEXTURES.** (Reserved & Reserved).

**4.7.8 OBSTRUCTIONS.** Curb ramps shall be located or protected to prevent their obstruction by parked vehicles.

**4.7.9 LOCATION AT MARKED CROSSINGS.** Curb ramps at marked crossings shall be wholly contained within the crosswalk.

**4.7.10 OUTSIDE CURB RAMPS.** If outside (or corner type) curb ramps have returned to the sidewalk, they shall be at least 1:12 (8.33%) and not more than 1:20 (5.00%).

**4.7.11 STAIRS.** Any stairs within a crossing shall be at least 48" (1220 mm) wide and shall be at least 1:12 (8.33%) and not more than 1:20 (5.00%).

**4.7.12 UNDESIRABLE INTERSECTIONS.** (Reserved & Reserved).

**4.8 RAMPS.** Any part of an accessible route with a slope greater than 1:20 shall be considered a ramp and shall comply with 4.8.

**4.8.1 GENERAL.** Ramps shall have level landings at the bottom and top of each landing. Landings shall have the following features:

- (1) The landing length shall be a minimum of 60" (1525 mm) clear.
- (2) If a doorway is located at a landing, the minimum landing size shall be 60" (1525 mm) by 60" (1525 mm) at a landing, then the area in front of the doorway shall comply with 4.11.3.

**4.8.2 HANDRAILS.** If a ramp run has a rise greater than 6" (150 mm) or a horizontal projection greater than 27" (690 mm), it shall have handrails on both sides of the ramp. Handrails shall have the following features:

- (1) Handrails shall be continuous, they shall extend at least 12" (300 mm) beyond the top and bottom of the ramp segment and shall be parallel with the top and bottom of the ramp segment and shall be 1-1/2" (38 mm).
- (2) If handrails are not continuous, they shall extend at least 12" (300 mm) beyond the top and bottom of the ramp segment and shall be 1-1/2" (38 mm).
- (3) The clear space between the handrail and the wall shall be 1-1/2" (38 mm).
- (4) Gripping surfaces shall be continuous.
- (5) Top of handrail gripping surfaces shall be located between 30" & 34" (760 mm & 860 mm) above ramp surfaces.
- (6) Handrails shall be either rounded or returned smoothly to floor, wall, or post.
- (7) Handrails shall not rotate when their fittings.

**4.8.3 CROSS SLOPE & SURFACES.** The cross slope of ramp surfaces shall be no greater than 1:50. Ramp surfaces shall comply with 4.5.

**4.8.4 EDGE PROTECTION.** Ramps and landings with drop-offs shall have curbs, walls, or other edge protection that prevents people from slipping off the ramp.

**4.8.5 OUTSIDE CONTROLS.** Outside controls shall be provided for ramps.

**4.9 STAIRS.** Stairs required to be accessible by 4.1 shall comply with 4.9.

**4.9.1 MINIMUM NUMBER.** Stairs required to be accessible by 4.1 shall comply with 4.9.

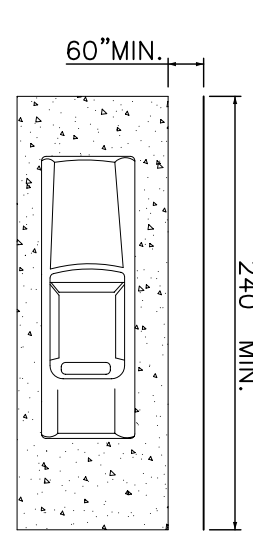
**4.9.2 TREADS & RISES.** Treads and risers shall have the following features:

- (1) Treads shall be at least 11" (280 mm) wide and shall be continuous across the entire width of the stair.
- (2) Rises shall be at least 4" (100 mm) and not more than 6" (150 mm).
- (3) The clear space between treads and walls shall be 1-1/2" (38 mm).
- (4) Gripping surfaces shall be uninterfered by nail points, other construction elements, or obstructions.
- (5) Surface shall be mounted between 30" & 34" (760 mm & 860 mm) above stair nosings.
- (6) Nosings shall not rotate when their fittings.
- (7) Handrails shall not rotate when their fittings.

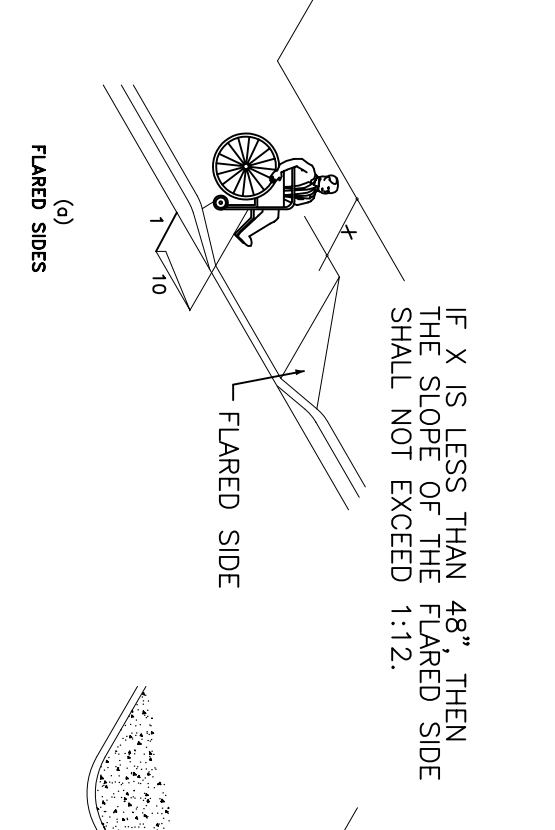
**4.9.3 TACTILE WARNINGS AT STAIRS.** (Reserved & Reserved).

**4.9.4 OUTSIDE CONTROLS.** Outside controls shall be provided for stairs.

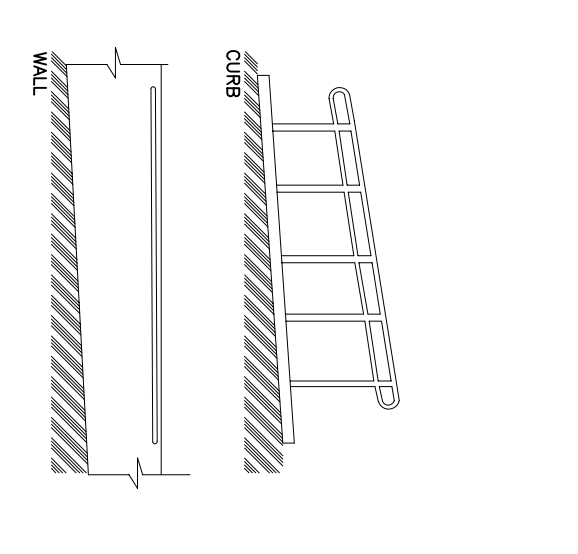
**4.9.5 TACTILE WARNINGS AT STAIRS.** (Reserved & Reserved).



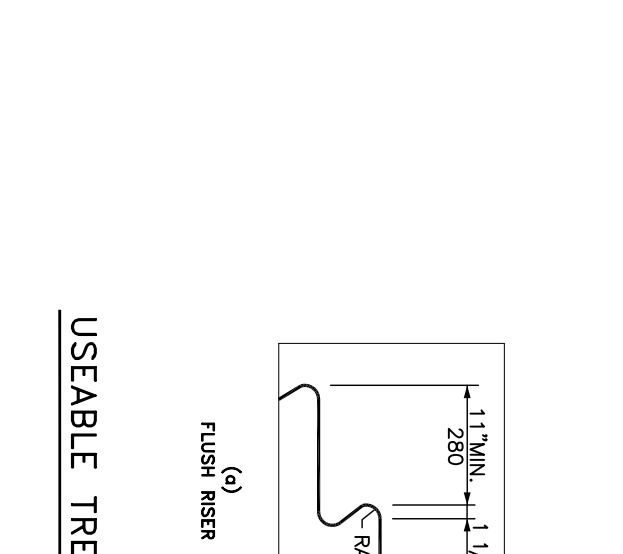
**FIG. 10**  
ACCESS AISLE AT PASSENGER LOADING ZONES



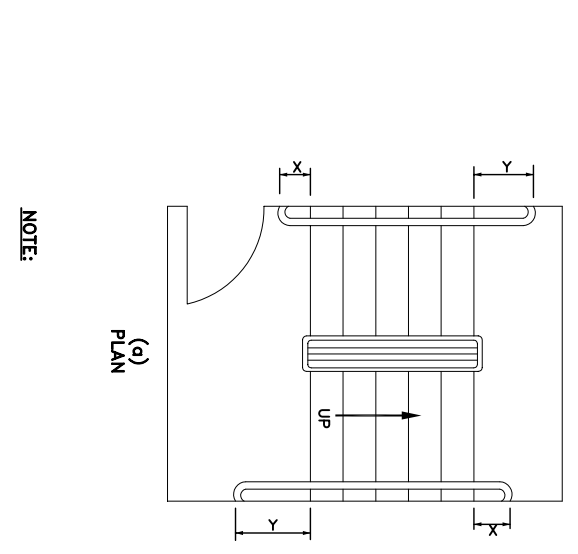
**FIG. 11**  
MEASUREMENT OF CURB RAMP SLOPES



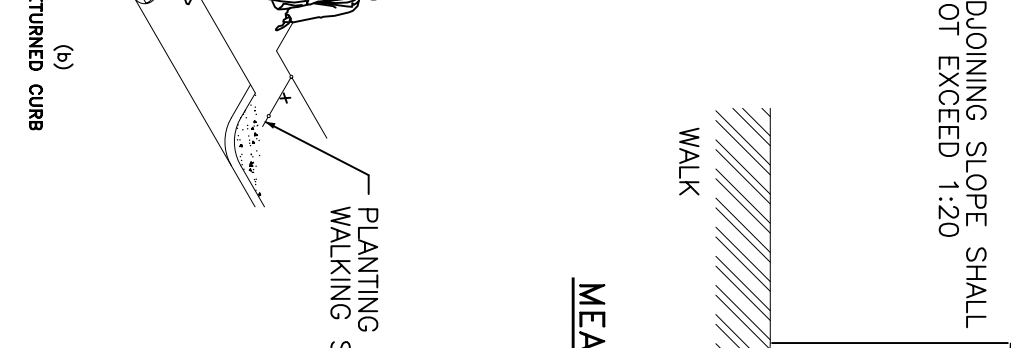
**FIG. 17**  
EXAMPLES OF EDGE PROTECTION AND HANDRAIL EXTENSIONS



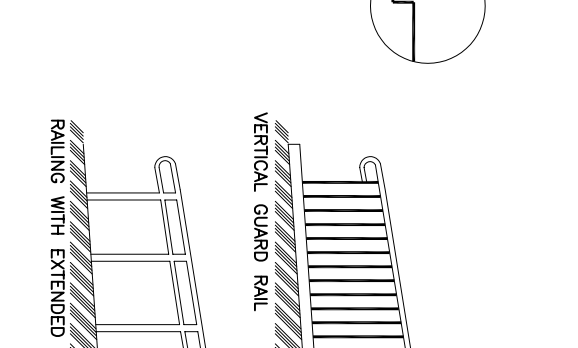
**FIG. 18**  
USEABLE TREAD WIDTH AND EXAMPLES OF ACCEPTABLE NOSINGS



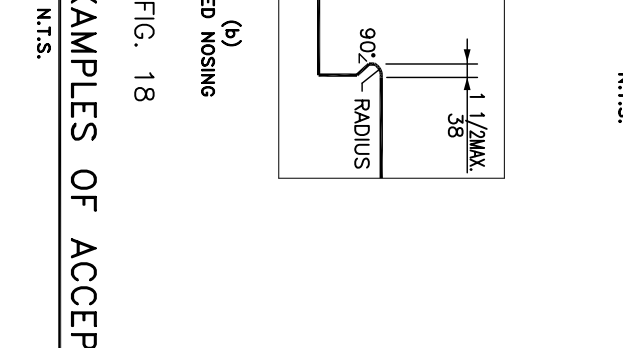
**FIG. 19**  
STAIR HANDRAILS



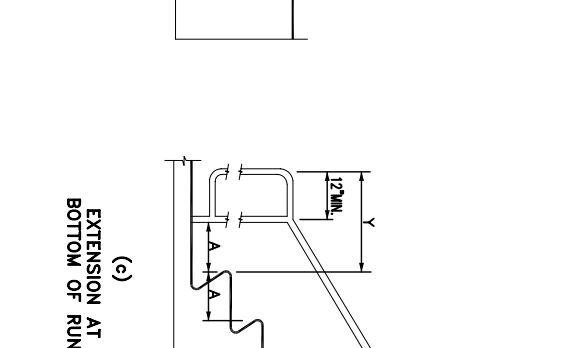
**FIG. 11**  
MEASUREMENT OF CURB RAMP SLOPES



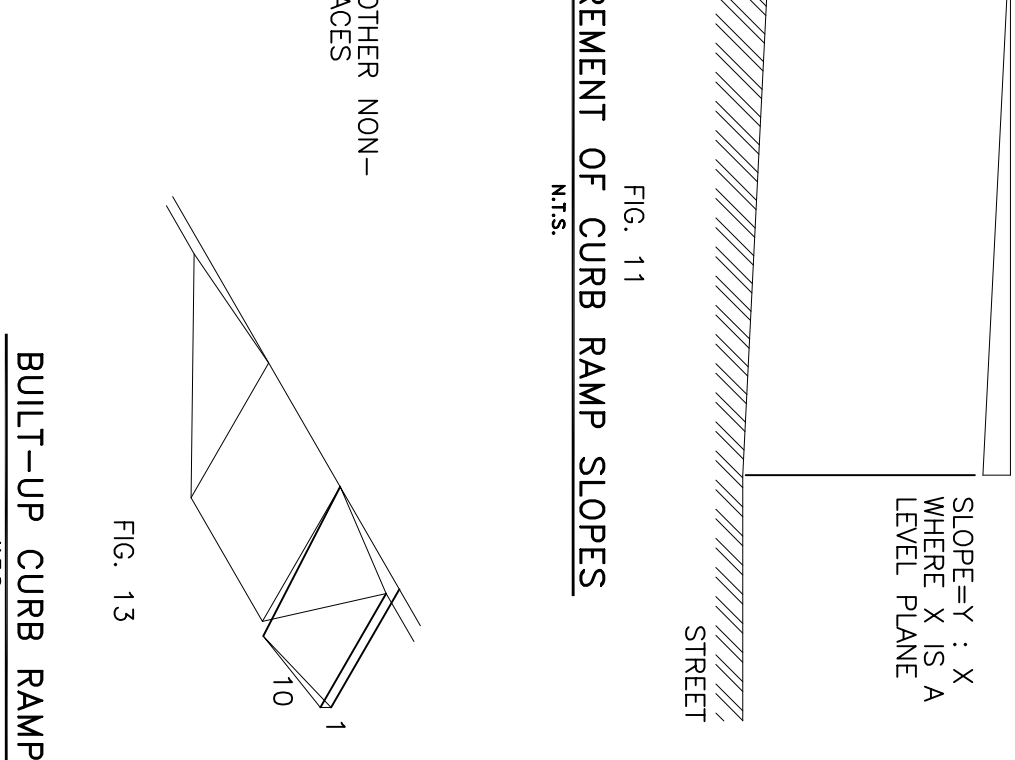
**FIG. 17**  
EXAMPLES OF EDGE PROTECTION AND HANDRAIL EXTENSIONS



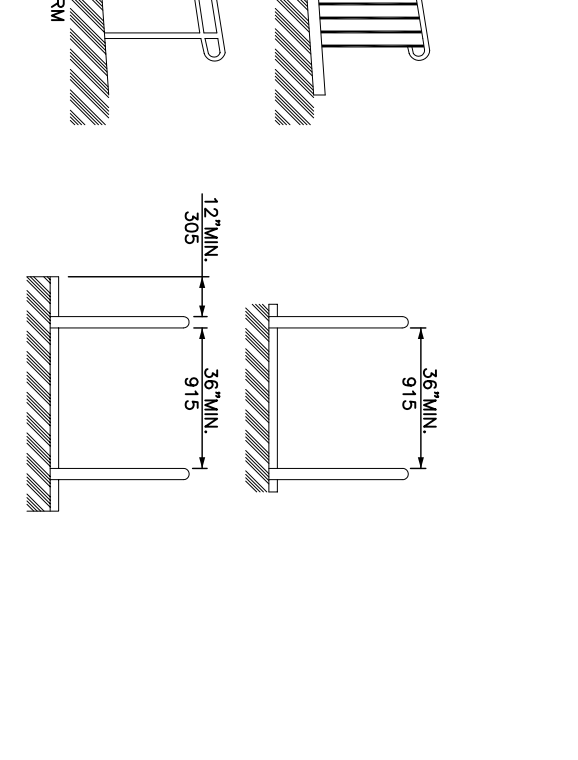
**FIG. 18**  
USEABLE TREAD WIDTH AND EXAMPLES OF ACCEPTABLE NOSINGS



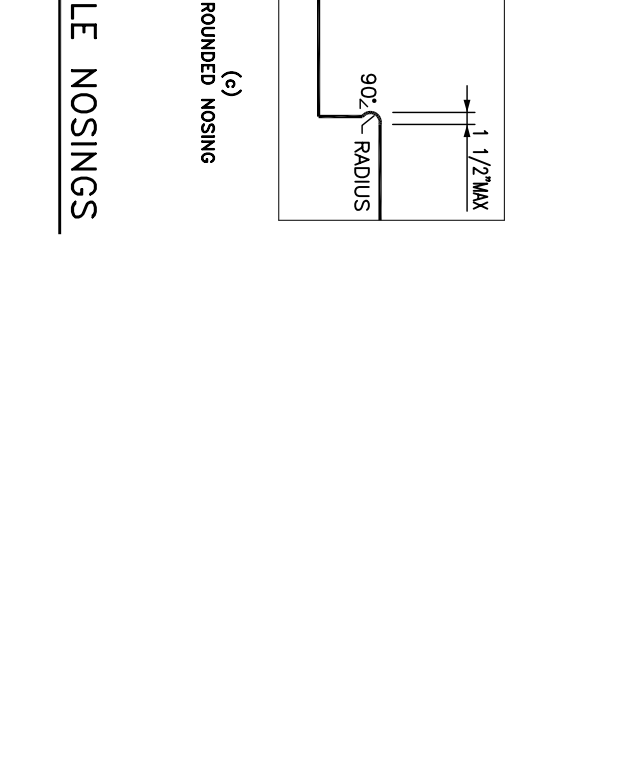
**FIG. 19**  
STAIR HANDRAILS



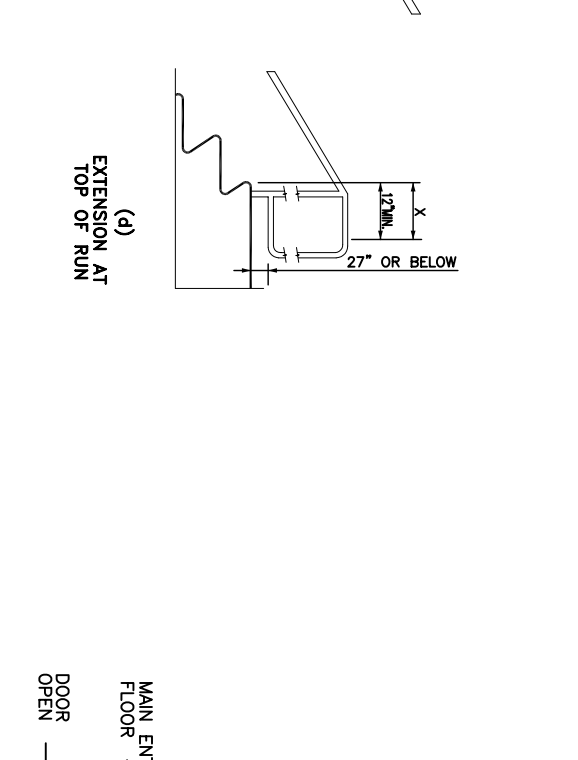
**FIG. 11**  
MEASUREMENT OF CURB RAMP SLOPES



**FIG. 17**  
EXAMPLES OF EDGE PROTECTION AND HANDRAIL EXTENSIONS



**FIG. 18**  
USEABLE TREAD WIDTH AND EXAMPLES OF ACCEPTABLE NOSINGS



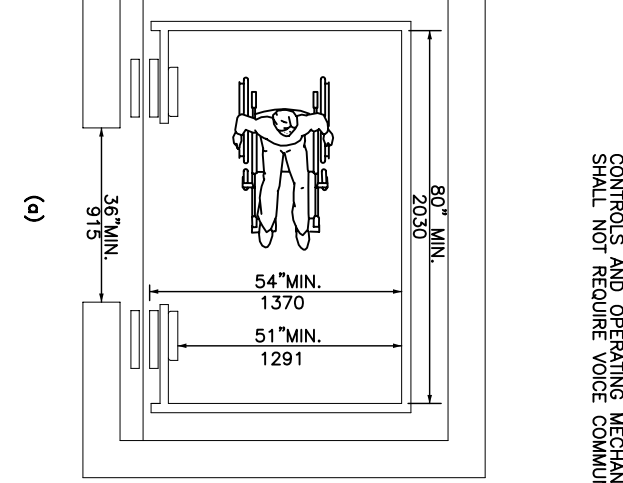
**FIG. 19**  
STAIR HANDRAILS



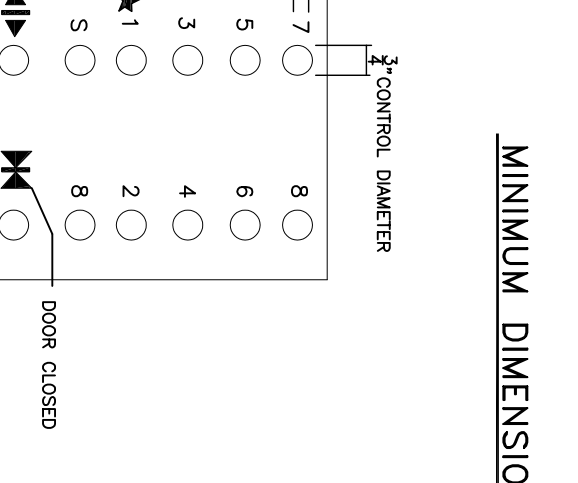
**FIG. 11**  
MEASUREMENT OF CURB RAMP SLOPES



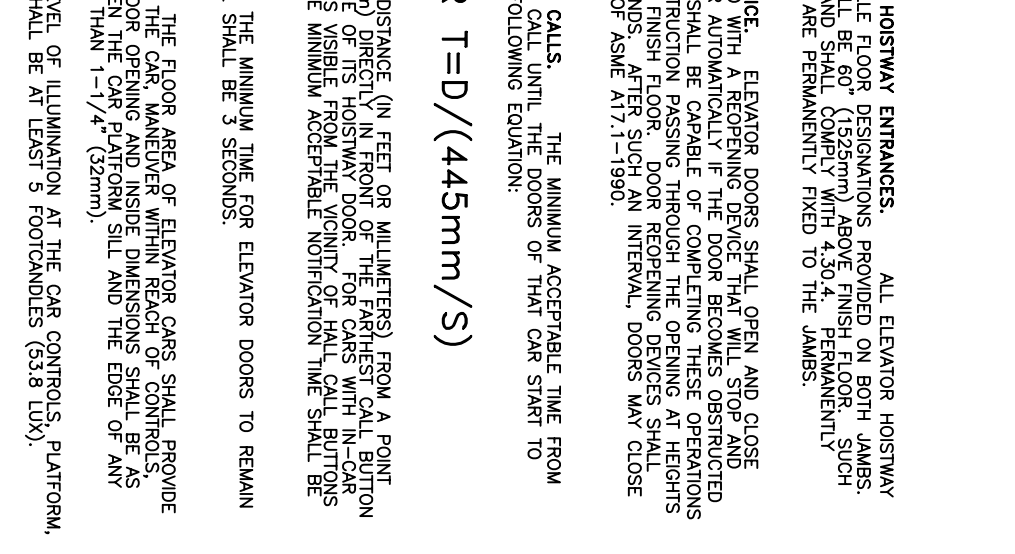
**FIG. 17**  
EXAMPLES OF EDGE PROTECTION AND HANDRAIL EXTENSIONS



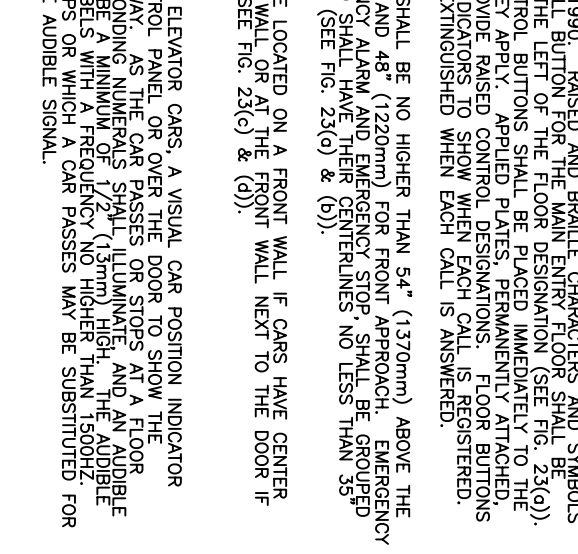
**FIG. 18**  
USEABLE TREAD WIDTH AND EXAMPLES OF ACCEPTABLE NOSINGS



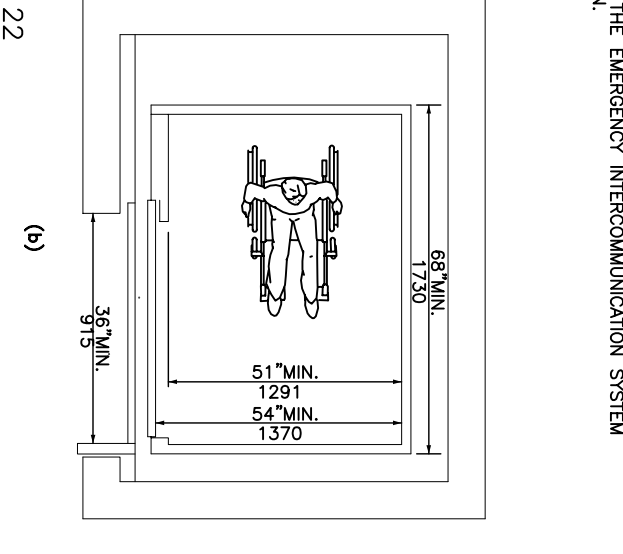
**FIG. 19**  
STAIR HANDRAILS



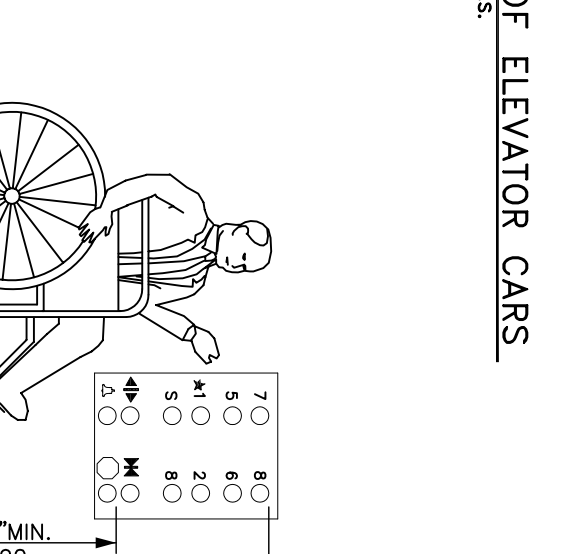
**FIG. 11**  
MEASUREMENT OF CURB RAMP SLOPES



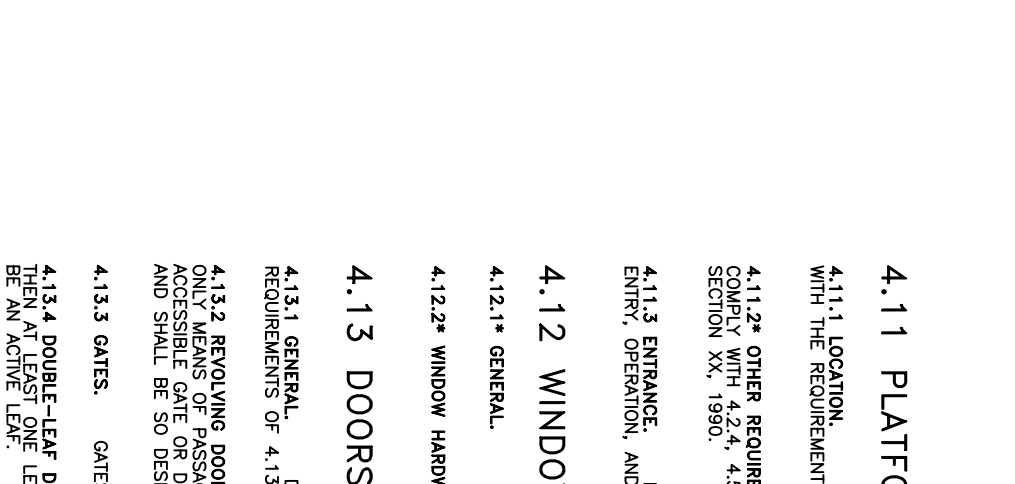
**FIG. 17**  
EXAMPLES OF EDGE PROTECTION AND HANDRAIL EXTENSIONS



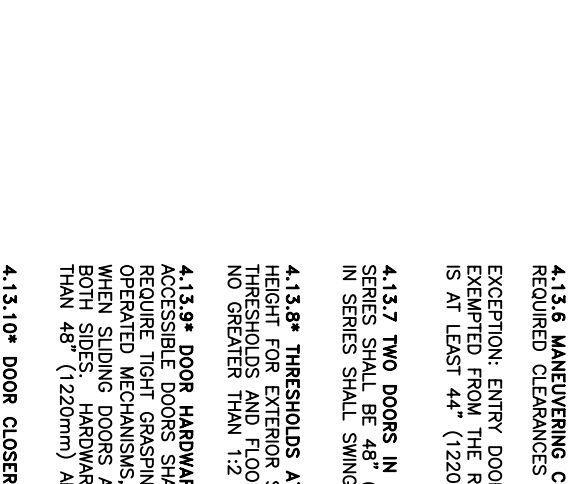
**FIG. 18**  
USEABLE TREAD WIDTH AND EXAMPLES OF ACCEPTABLE NOSINGS



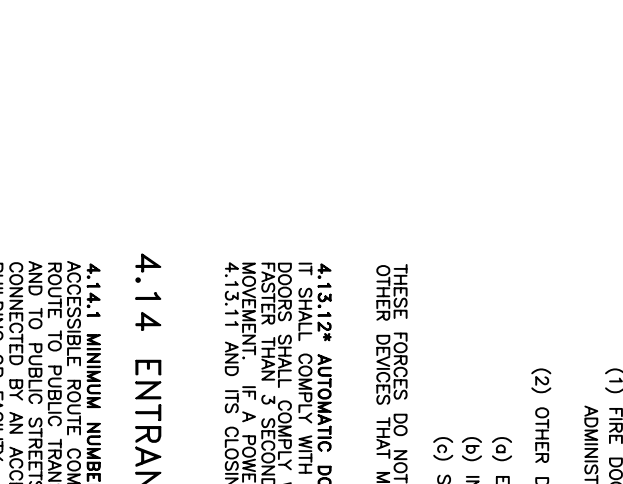
**FIG. 19**  
STAIR HANDRAILS



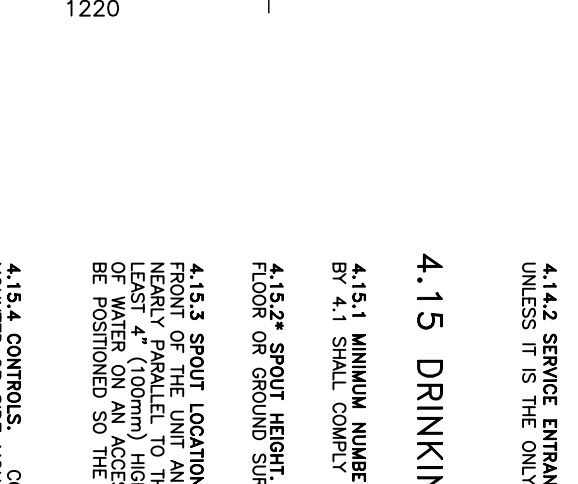
**FIG. 11**  
MEASUREMENT OF CURB RAMP SLOPES



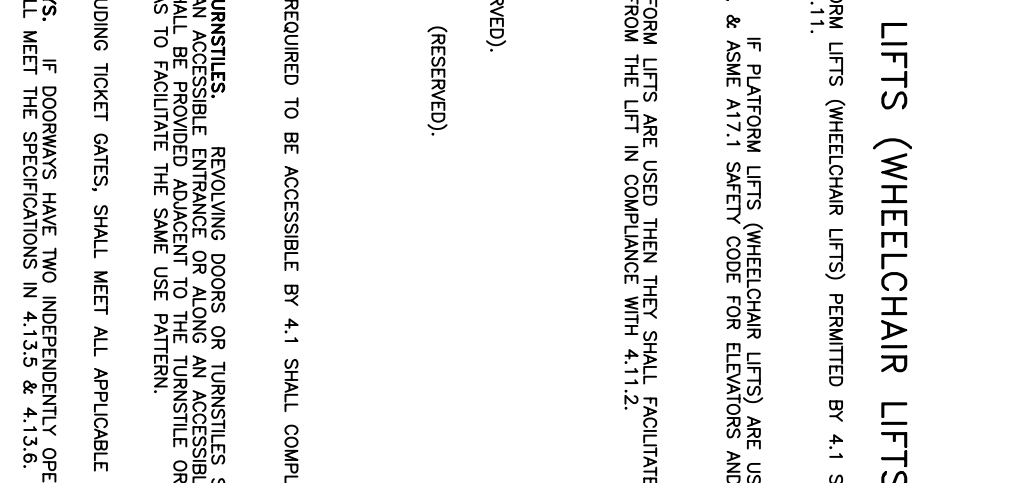
**FIG. 17**  
EXAMPLES OF EDGE PROTECTION AND HANDRAIL EXTENSIONS



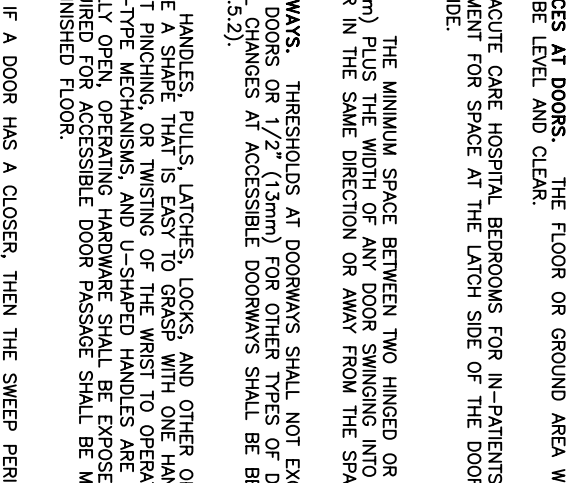
**FIG. 18**  
USEABLE TREAD WIDTH AND EXAMPLES OF ACCEPTABLE NOSINGS



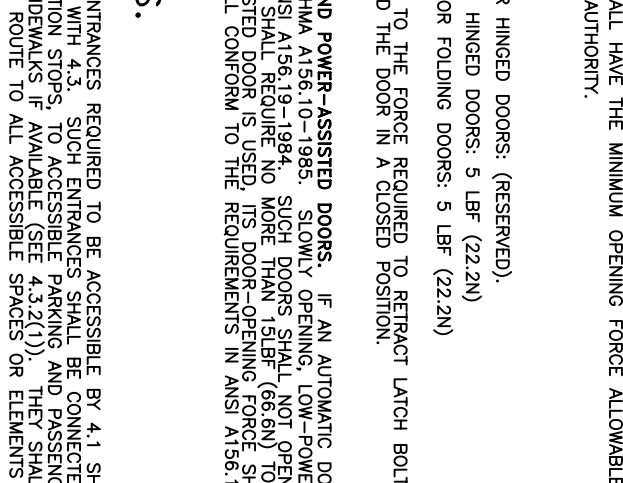
**FIG. 19**  
STAIR HANDRAILS



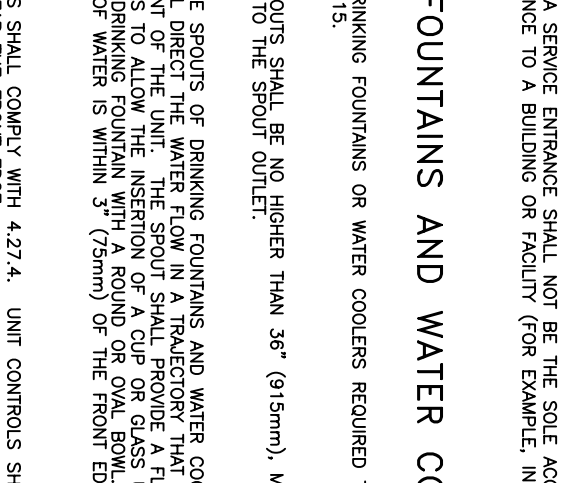
**FIG. 11**  
MEASUREMENT OF CURB RAMP SLOPES



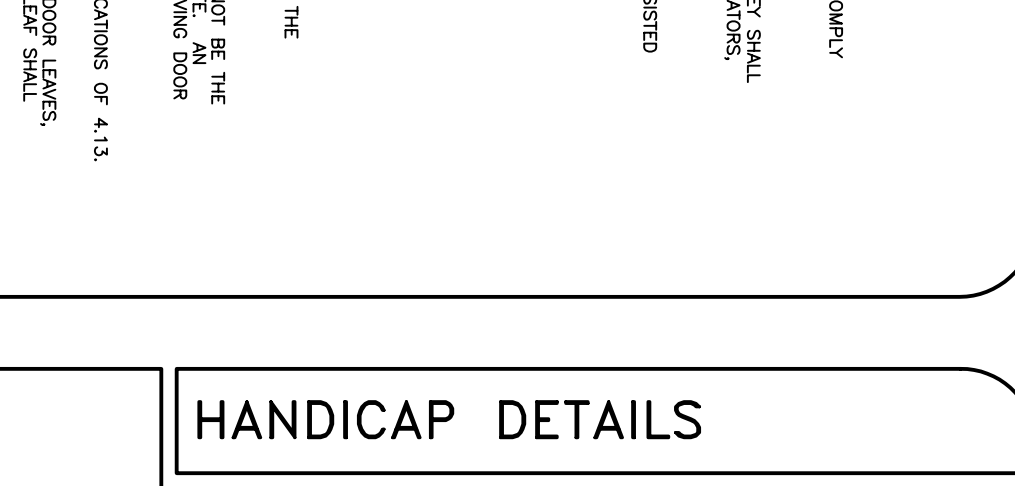
**FIG. 17**  
EXAMPLES OF EDGE PROTECTION AND HANDRAIL EXTENSIONS



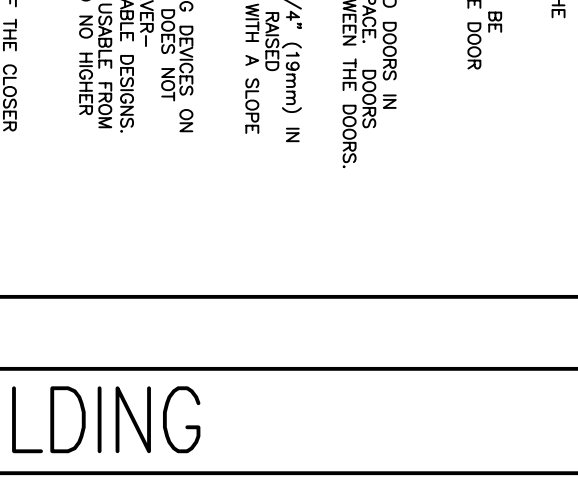
**FIG. 18**  
USEABLE TREAD WIDTH AND EXAMPLES OF ACCEPTABLE NOSINGS



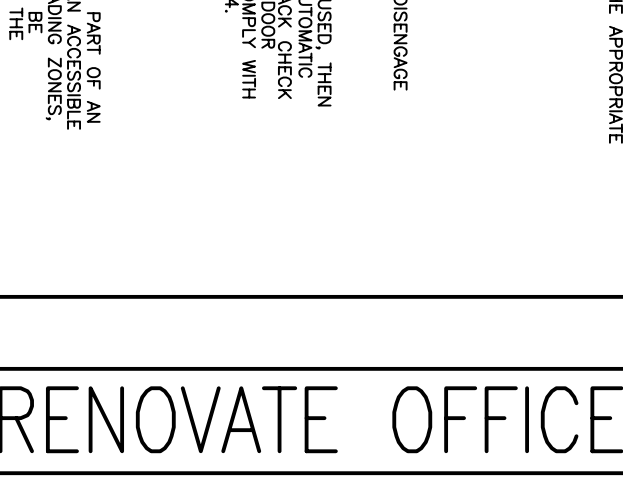
**FIG. 19**  
STAIR HANDRAILS



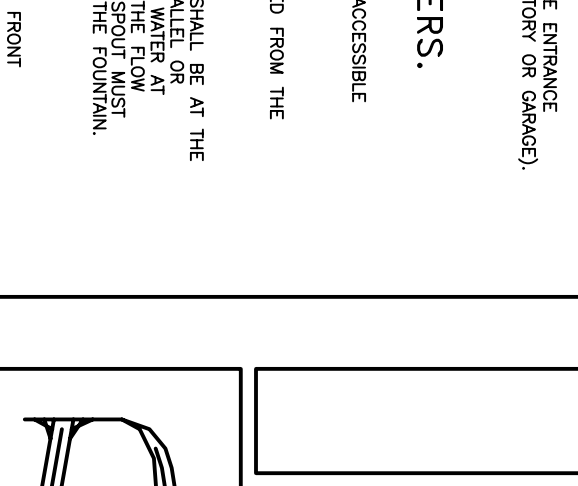
**FIG. 11**  
MEASUREMENT OF CURB RAMP SLOPES



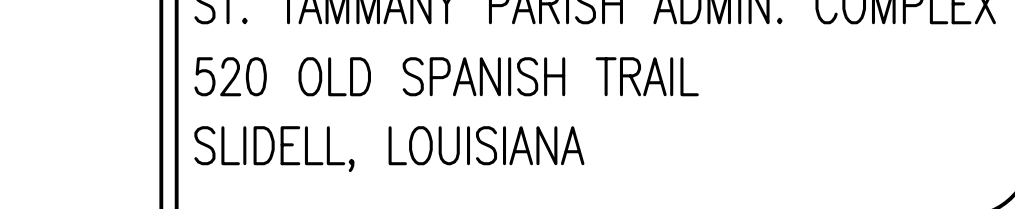
**FIG. 17**  
EXAMPLES OF EDGE PROTECTION AND HANDRAIL EXTENSIONS



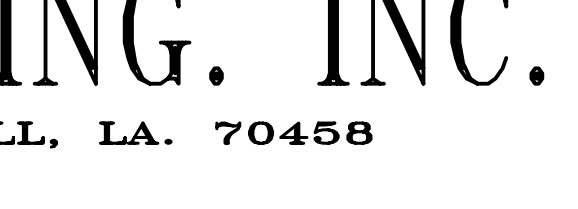
**FIG. 18**  
USEABLE TREAD WIDTH AND EXAMPLES OF ACCEPTABLE NOSINGS



**FIG. 19**  
STAIR HANDRAILS



**FIG. 11**  
MEASUREMENT OF CURB RAMP SLOPES



**FIG. 17**  
EXAMPLES OF EDGE PROTECTION AND HANDRAIL EXTENSIONS



**FIG. 18**  
USEABLE TREAD WIDTH AND EXAMPLES OF ACCEPTABLE NOSINGS



**FIG. 19**  
STAIR HANDRAILS

**4.11 PLATFORM LIFTS (WHEELCHAIR LIFTS).**

**4.11.1 LOCATION.** Platform lifts (wheelchair lifts) required by 4.1 shall comply with 4.11.2.

**4.11.2 OTHER REQUIREMENTS.** Platform lifts (wheelchair lifts) are used, they shall comply with 4.2.4, 4.2.7, & ASME A17.1 Safety Code for Elevators and Escalators, ASME A17.1-1998.

**4.11.3 ENTRANCE.** If platform lifts are used, they shall have a wheelchair and lift in compliance with 4.11.2.

**4.12 WINDOWS.** (Reserved).

**4.12.1 WINDOW HARDWARE.** (Reserved).

**4.13 DOORS.** Doors required to be accessible by 4.1 shall comply with the requirements of 4.13.

**4.13.1 GENERAL.** (Reserved).

**4.13.2 REVOLVING DOORS & TURNSTILES.** Revolving doors or turnstiles shall not be the accessible route of travel to the entrance or exit of a building.

**4.13.3 GATES.** Gates, including ticket gates, shall meet all applicable specifications of 4.13.

**4.13.4 DOUBLE-LEAF DOORWAYS.** If doorways have two independently operated door leaves, the door leaves shall meet the requirements of 4.13.1, 4.13.2, 4.13.3, 4.13.4, 4.13.5, 4.13.6, 4.13.7, 4.13.8, 4.13.9, 4.13.10, 4.13.11, 4.13.12, 4.13.13, 4.13.14, 4.13.15, 4.13.16, 4.13.17, 4.13.18, 4.13.19, 4.13.20, 4.13.21, 4.13.22, 4.13.23, 4.13.24, 4.13.25, 4.13.26, 4.13.27, 4.13.28, 4.13.29, 4.13.30, 4.13.31, 4.13.32, 4.13.33, 4.13.34, 4.13.35, 4.13.36, 4.13.37, 4.13.38, 4.13.39, 4.13.40, 4.13.41, 4.13.42, 4.13.43, 4.13.44, 4.13.45, 4.13.46, 4.13.47, 4.13.48, 4.13.49, 4.13.50, 4.13.51, 4.13.52, 4.13.53, 4.13.54, 4.13.55, 4.13.56, 4.13.57, 4.13.58, 4.13.59, 4.13.60, 4.13.61, 4.13.62, 4.13.63, 4.13.64, 4.13.65, 4.13.66, 4.13.67, 4.13.68, 4.13.69, 4.13.70, 4.13.71, 4.13.72, 4.13.73, 4.13.74, 4.13.75, 4.13.76, 4.13.77, 4.13.78, 4.13.79, 4.13.80, 4.13.81, 4.13.82, 4.13.83, 4.13.84, 4.13.85, 4.13.86, 4.13.87, 4.13.88, 4.13.89, 4.13.90, 4.13.91, 4.13.92, 4.13.93, 4.13.94, 4.13.95, 4.13.96, 4.13.97, 4.13.98, 4.13.99, 4.13.100.

**4.13.5 CLEAR WIDTH.** Doorways shall have a minimum clear opening of 32" (810 mm) with the door open. If doorways have two independently operated door leaves, the door leaves shall meet the requirements of 4.13.1, 4.13.2, 4.13.3, 4.13.4, 4.13.5, 4.13.6, 4.13.7, 4.13.8, 4.13.9, 4.13.10, 4.13.11, 4.13.12, 4.13.13, 4.13.14, 4.13.15, 4.13.16, 4.13.17, 4.13.18, 4.13.19, 4.13.20, 4.13.21, 4.13.22, 4.13.23, 4.13.24, 4.13.25, 4.13.26, 4.13.27, 4.13.28, 4.13.29, 4.13.30, 4.13.31, 4.13.32, 4.13.33, 4.13.34, 4.13.35, 4.13.36, 4.13.37, 4.13.38, 4.13.39, 4.13.40, 4.13.41, 4.13.42, 4.13.43, 4.13.44, 4.13.45, 4.13.46, 4.13.47, 4.13.48, 4.13.49, 4.13.50, 4.13.51, 4.13.52, 4.13.53, 4.13.54, 4.13.55, 4.13.56, 4.13.57, 4.13.58, 4.13.59, 4.13.60, 4.13.61, 4.13.62, 4.13.63, 4.13.64, 4.13.65, 4.13.66, 4.13.67, 4.13.68, 4.13.69, 4.13.70, 4.13.71, 4.13.72, 4.13.73, 4.13.74, 4.13.75, 4.13.76, 4.13.77, 4.13.78, 4.13.79, 4.13.80, 4.13.81, 4.13.82, 4.13.83, 4.13.84, 4.13.85, 4.13.86, 4.13.87, 4.13.88, 4.13.89, 4.13.90, 4.13.91, 4.13.92, 4.13.93, 4.13.94, 4.13.95, 4.13.96, 4.13.97, 4.13.98, 4.13.99, 4.13.100.

**4.13.6 MAINTENANCE EQUIPMENT AT DOORS.** The floor or ground area within the required clearances shall be level and clear.

**4.13.7 TWO DOORS IN SERIES.** The minimum space between two hinges on pivoted doors in series shall be at least 30" (760 mm) from the hinge to the edge of the door.

**4.13.8 TEMPERATURE AT DOORS.** Temperature at doors shall not exceed 95°F (35°C) in winter or 120°F (49°C) in summer.

**4.13.9 DOOR HARDWARE.** Handles, latches, locks, and other operating devices on accessible doors shall have a shape that is easy to grasp with one hand and does not require a tight grip. Operating devices shall be located between 48" (1220 mm) and 54" (1370 mm) above the floor.

**4.13.10 OPERATING FORCE.** The maximum force for pushing or pulling on a door shall be 5 lb (22 N).

**4.13.11 ONE DOOR FORCE.** The maximum force for pushing or pulling on a door shall be 5 lb (22 N).

**4.13.12 OPERATING FORCE.** The maximum force for pushing or pulling on a door shall be 5 lb (22 N).

**4.13.13 OPERATING FORCE.** The maximum force for pushing or pulling on a door shall be 5 lb (22 N).

**4.14 ENTRANCES.**

**4.14.1 MINIMUM NUMBER.** Entrances required to be accessible by 4.1 shall be part of an accessible route to public transportation stops to accessible parking and passenger loading zones.

**4.14.2 SERVICE ENTRANCES.** A service entrance shall not be the sole accessible entrance unless it is the only entrance to a building or facility.

**4.14.3 SERVICE ENTRANCES.** A service entrance shall not be the sole accessible entrance unless it is the only entrance to a building or facility.

**4.14.4 SERVICE ENTRANCES.** A service entrance shall not be the sole accessible entrance unless it is the only entrance to a building or facility.

**4.14.5 SERVICE ENTRANCES.** A service entrance shall not be the sole accessible entrance unless it is the only entrance to a building or facility.

**4.14.6 SERVICE ENTRANCES.** A service entrance shall not be the sole accessible entrance unless it is the only entrance to a building or facility.

**4.14.7 SERVICE ENTRANCES.** A service entrance shall not be the sole accessible entrance unless it is the only entrance to a building or facility.

**4.14.8 SERVICE ENTRANCES.** A service entrance shall not be the sole accessible entrance unless it is the only entrance to a building or facility.

**4.14.9 SERVICE ENTRANCES.** A service entrance shall not be the sole accessible entrance unless it is the only entrance to a building or facility.

**4.14.10 SERVICE ENTRANCES.** A service entrance