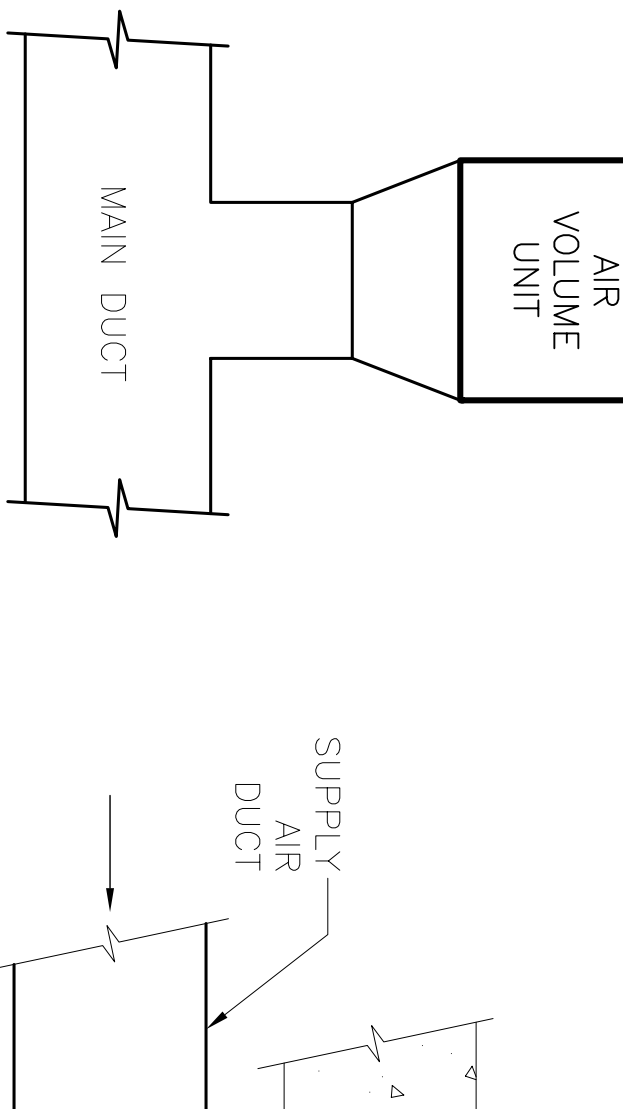
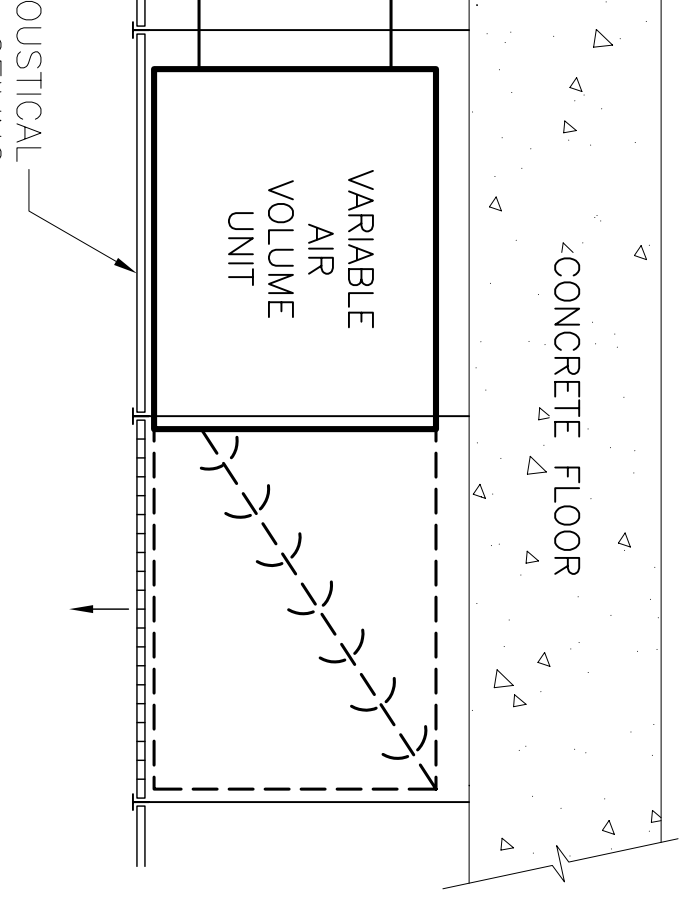


TYPICAL AIR HANDLER
N. T. S. (W8 M2 M6)



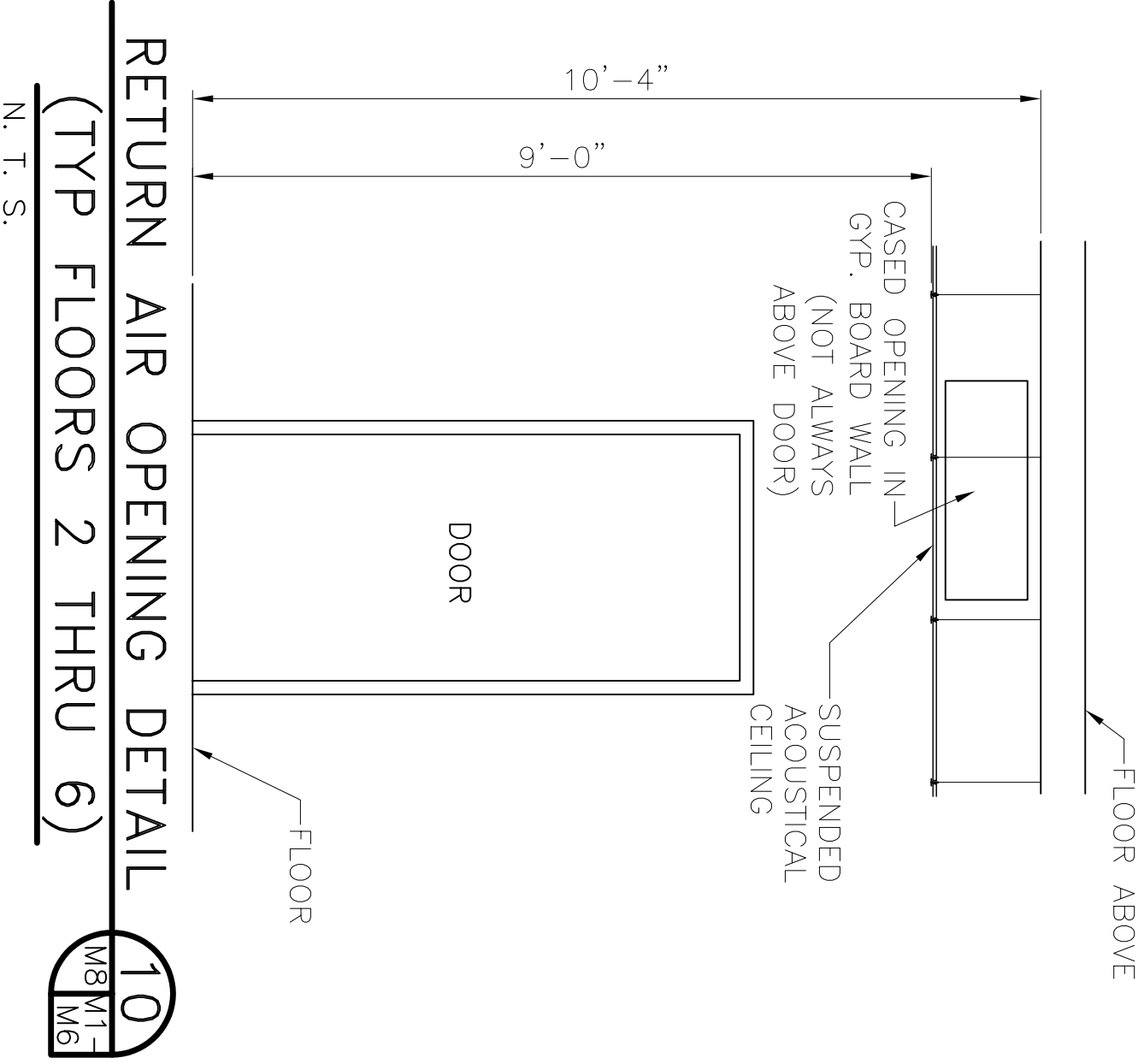
TYPICAL ROOM DUCT
N. T. S.



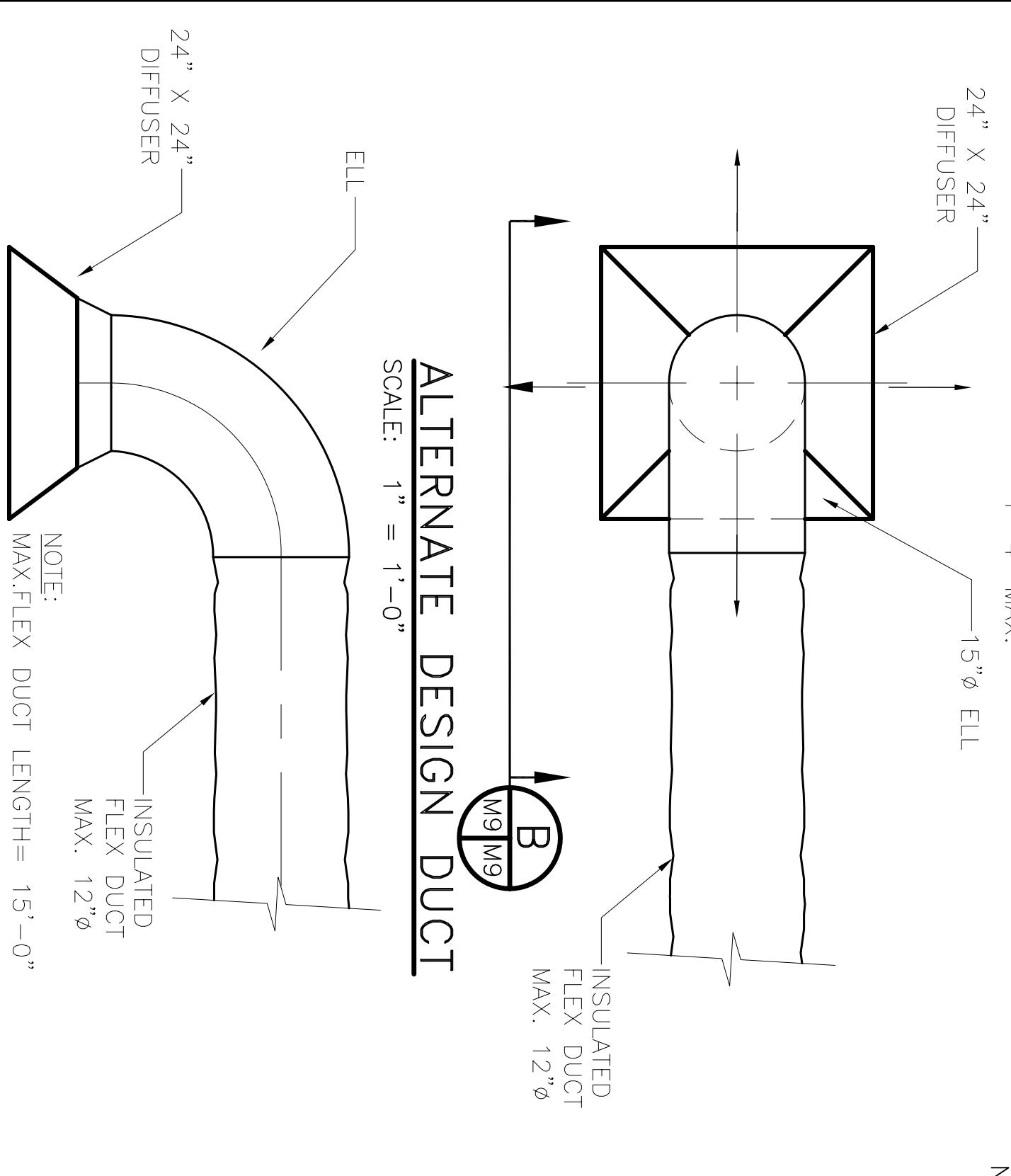
TYPICAL VAV UNIT DETAIL
N. T. S.

SYMBOL LEGEND
SYMBOL LEGEND APPLIES TO ALL MECHANICAL & PIPING.

- |— GATE VALVE
- |— BALL VALVE
- |— ELECTRIC 3-WAY VALVE
- ⊕ THERMOSTAT
- |— Y-STRAINER



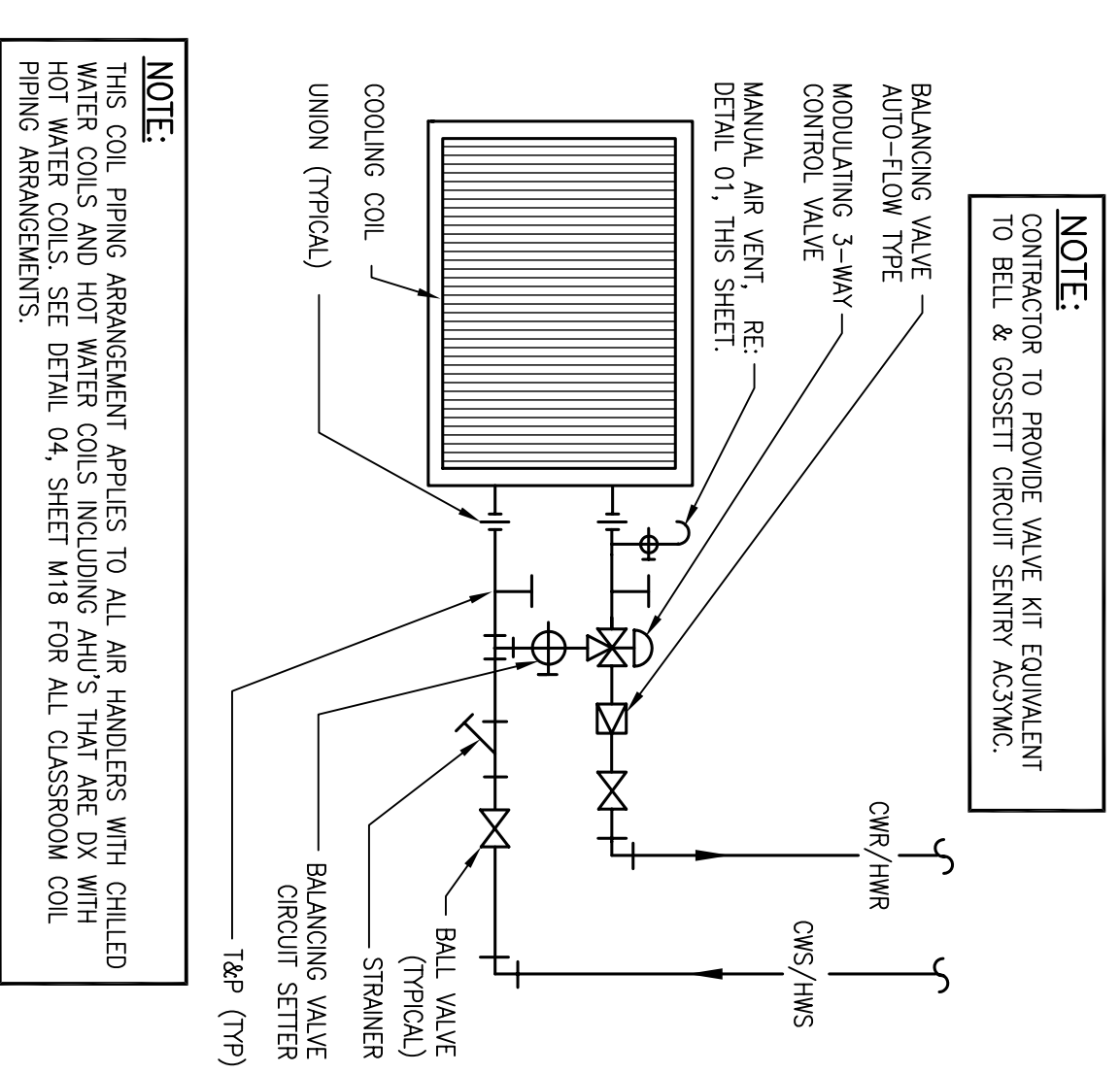
RETURN AIR OPENING DETAIL
(TYP FLOORS 2 THRU 6)
N. T. S. (W8 M1 M6)



ALTERNATE DESIGN DUCT
SCALE: 1" = 1'-0"

SECTION
SCALE: 1" = 1'-0" (W9 M9)

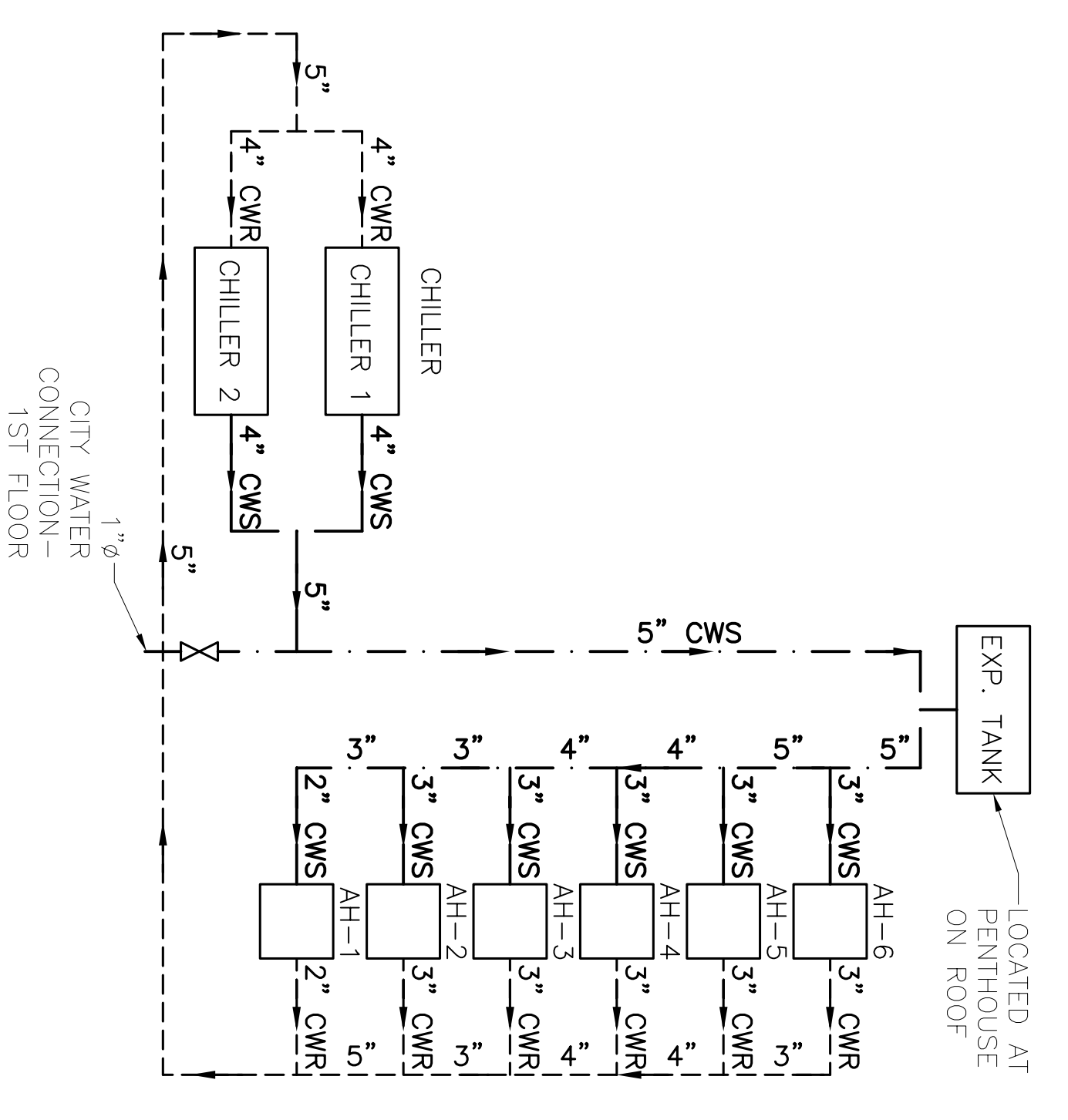
SCHEDULE OF AHU UNITS										
FLOOR	COOLING BTU/H					FAN				
	CFM	SEN	LAT	TOTAL	ESP	GPM	IN. W.G.	HP	CFM	TRANE MG SERIES
1	5846	141.6	43.62	185.2	30.0	2.5	7.5	800	800	CONSTANT VOLUME
2	11,000	266.4	87.38	353.8	70.5	3	15	1,000	1,000	VARIABLE AIR VOLUME
3	11,000	266.4	87.38	353.8	70.5	3	15	1,000	1,000	VARIABLE AIR VOLUME
4	11,000	266.4	87.38	353.8	70.5	3	15	1,000	1,000	VARIABLE AIR VOLUME
5	11,000	266.4	87.38	353.8	70.5	3	15	1,000	1,000	VARIABLE AIR VOLUME
6	11,000	266.4	87.38	353.8	70.5	3	15	1,000	1,000	VARIABLE AIR VOLUME



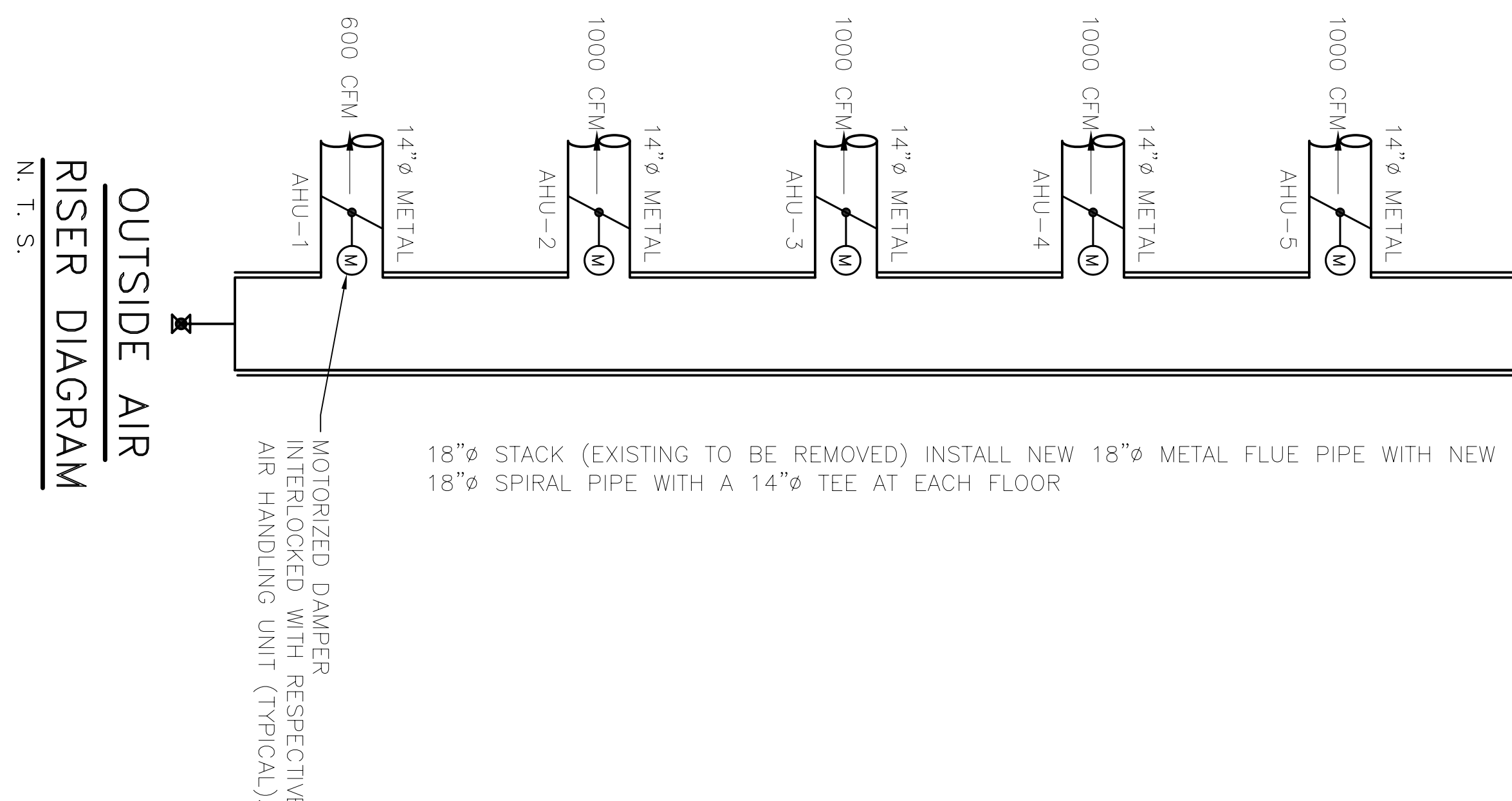
TYPICAL PIPING AT AHU
N. T. S.

TOILET ROOM EXHAUST FAN SCHEDULE			
FLOOR	CFM	ESP IN. W.G.	TYPE
1	210	0.5"	CEILING MTD. W/ DUCT OUT (2 RECD.)
1	80	0.5"	CEILING MTD. W/ DUCT OUT (1 RECD.)
2	300	0.5"	CEILING MTD. W/ DUCT OUT (2 RECD.)
3	300	0.5"	CEILING MTD. W/ DUCT OUT (2 RECD.)
3	80	0.5"	CEILING MTD. W/ DUCT OUT (1 RECD.)
4	300	0.5"	CEILING MTD. W/ DUCT OUT (2 RECD.)
5	300	0.5"	CEILING MTD. W/ DUCT OUT (2 RECD.)
6	80	0.25"	CEILING MTD. W/ DUCT OUT (2 RECD.)
6	300	0.5"	CEILING MTD. W/ DUCT OUT (2 RECD.)
7	*	0.25"	CEILING MTD. W/ DUCT OUT (1 RECD.)

*COORDINATE WITH PENTHOUSE REQUIREMENTS.



CHILLED WATER PIPING DIAGRAM
N. T. S.



OUTSIDE AIR
RISER DIAGRAM
N. T. S.

HVAC EQUIPMENT SCHEDULE - SCREW CHILLERS					
NUMBER REQUIRED	TONS	TEMPERATURES ° FAHRENHEIT	MAX. GPM FLOW	HEAD PRESSURE FEET H ₂ O	ELECT. POWER VOLT/PHASE/HERTZ
2	80	IN 55, OUT 45	194.3	12.7	460/3/60

REVISED: 10-10-07 ab
REVISED: 05-10-07 ab
REVISED: 04-09-07 ab
REVISED: 03-01-07 dd

REVISIONS:
11-05-07 ab
11-13-07

HVAC SYSTEM SCHEDULES & DETAILS
ST. TAMMANY PARISH ADMIN. COMPLEX
520 OLD SPANISH TRAIL
SLIDELL, LOUISIANA

RENOVATE OFFICE BUILDING
DAMMON ENGINEERING, INC.
1095 FLORIDA AVENUE 985-649-5832 SLIDELL, LA. 70458
DAMMONENGINEERING.COM

SCALE: AS NOTED
FILE:
JOB NO. 1729
DATE: 1-8-07
SHEET M-8
OF