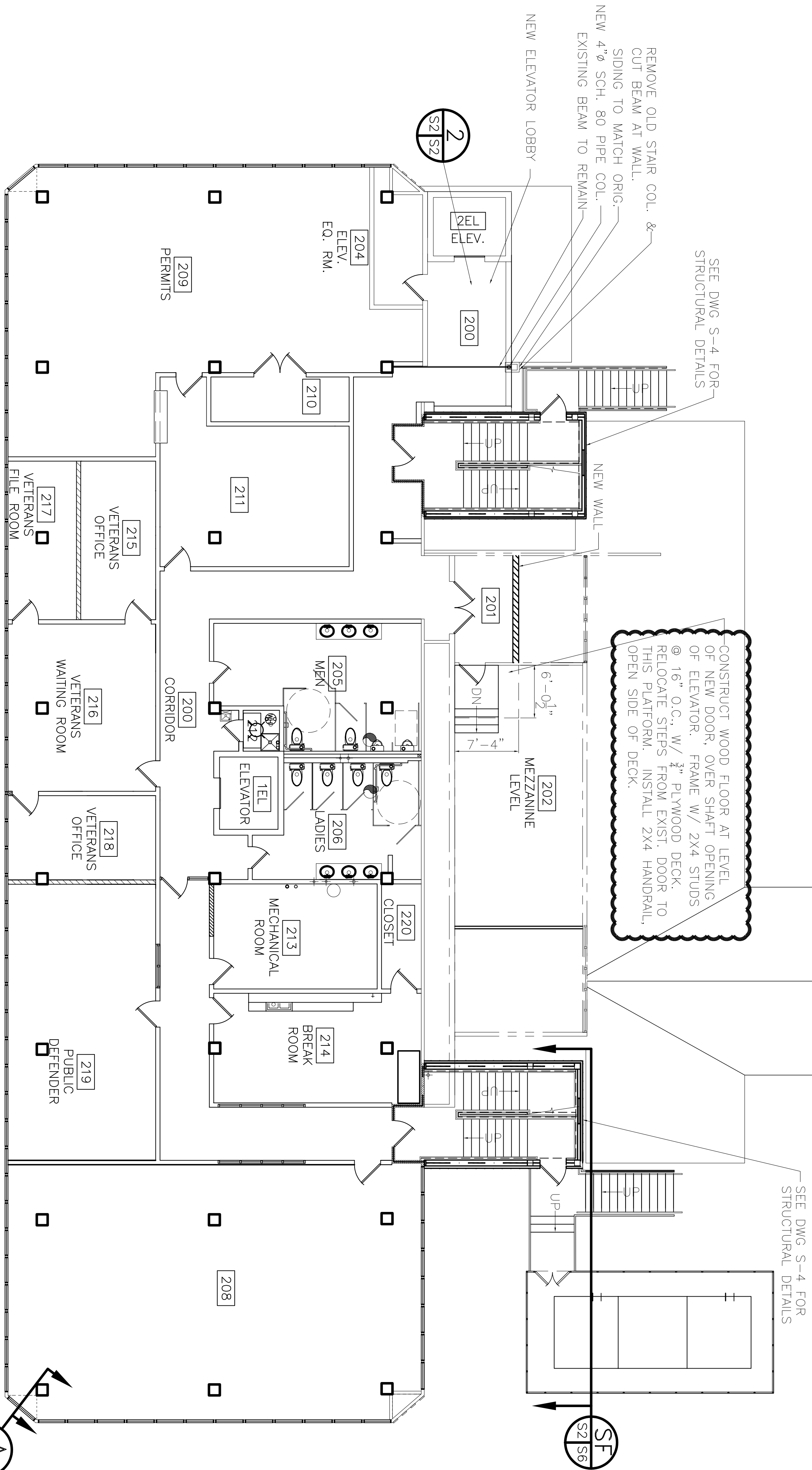


SECTION A
SCALE: 1/4" = 1'-0" S2/S2



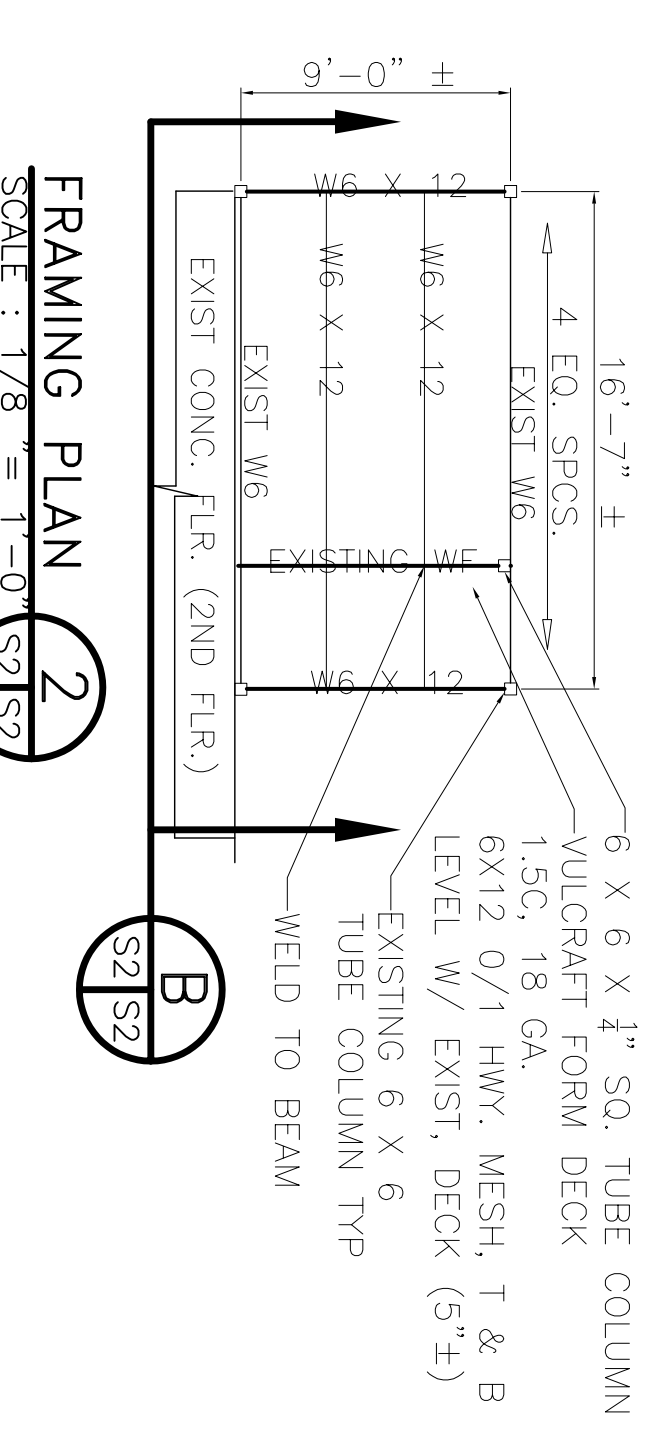
SECOND FLOOR STRUCTURAL PLAN
SCALE: 1/8" = 1'-0" N



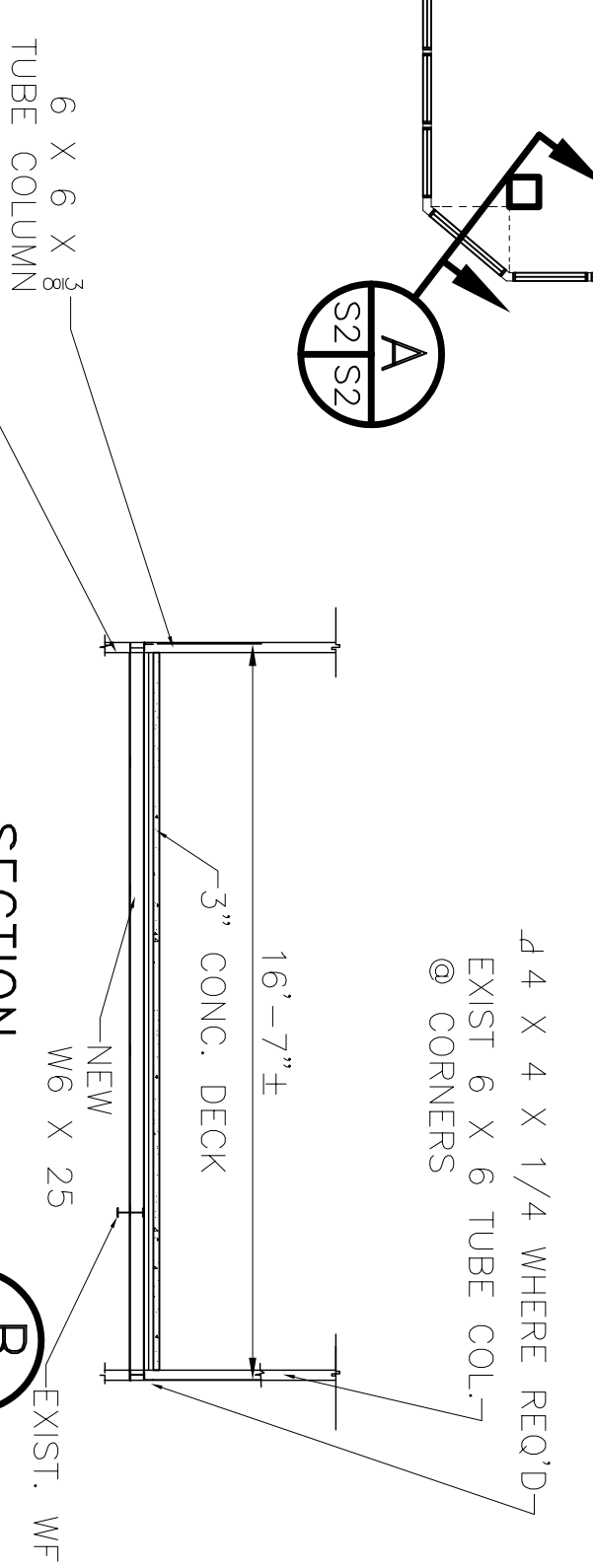
NOTES:

LEGEND

- NEW WALL
- NEW WALL 1 HOUR



FRAMING PLAN 2
SCALE: 1/8" = 1'-0" S2/S2



SECTION B
SCALE: 1/8" = 1'-0" S2/S2

☁ = ADDENDUM 2 CHANGE

44 X 4 X 1/4 WHERE RECD'@ CORNERS

ALL NEW STEEL SHALL BE ASTM A36.

ADDENDUM 2 REVISED: 08/20/07ab
REVISED: 05/21/07ab
REVISED: 03/07/07ab

CONTRACT SET- 10/10/07

2ND FLOOR STRUCTURAL PLAN
ST. TAMMANY PARISH ADMIN. COMPLEX
520 OLD SPANISH TRAIL
SLIDELL, LOUISIANA

RENOVATE OFFICE BUILDING
DAMMON ENGINEERING. INC.
1095 FLORIDA AVENUE 985-649-5832 SLIDELL, LA. 70458
DAMMONENGINEERING.COM

SCALE: AS NOTED
FILE:
JOB NO. 1729
DATE: 1-8-07
SHEET
S-2
OF