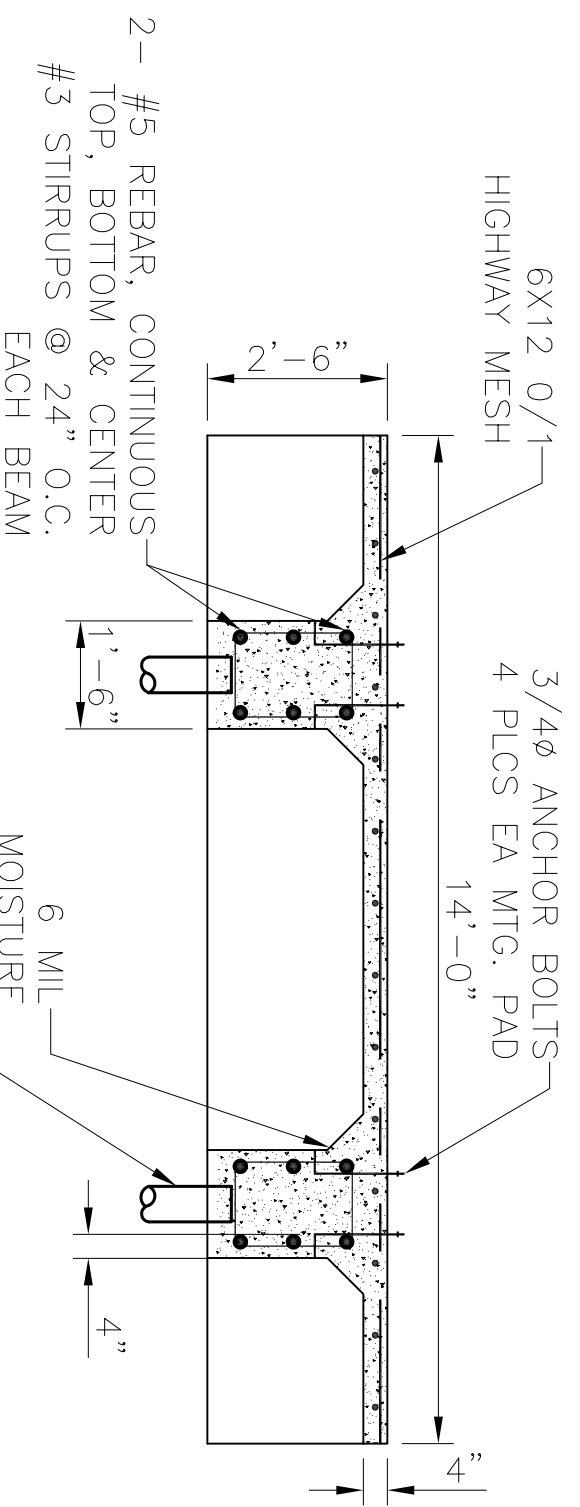
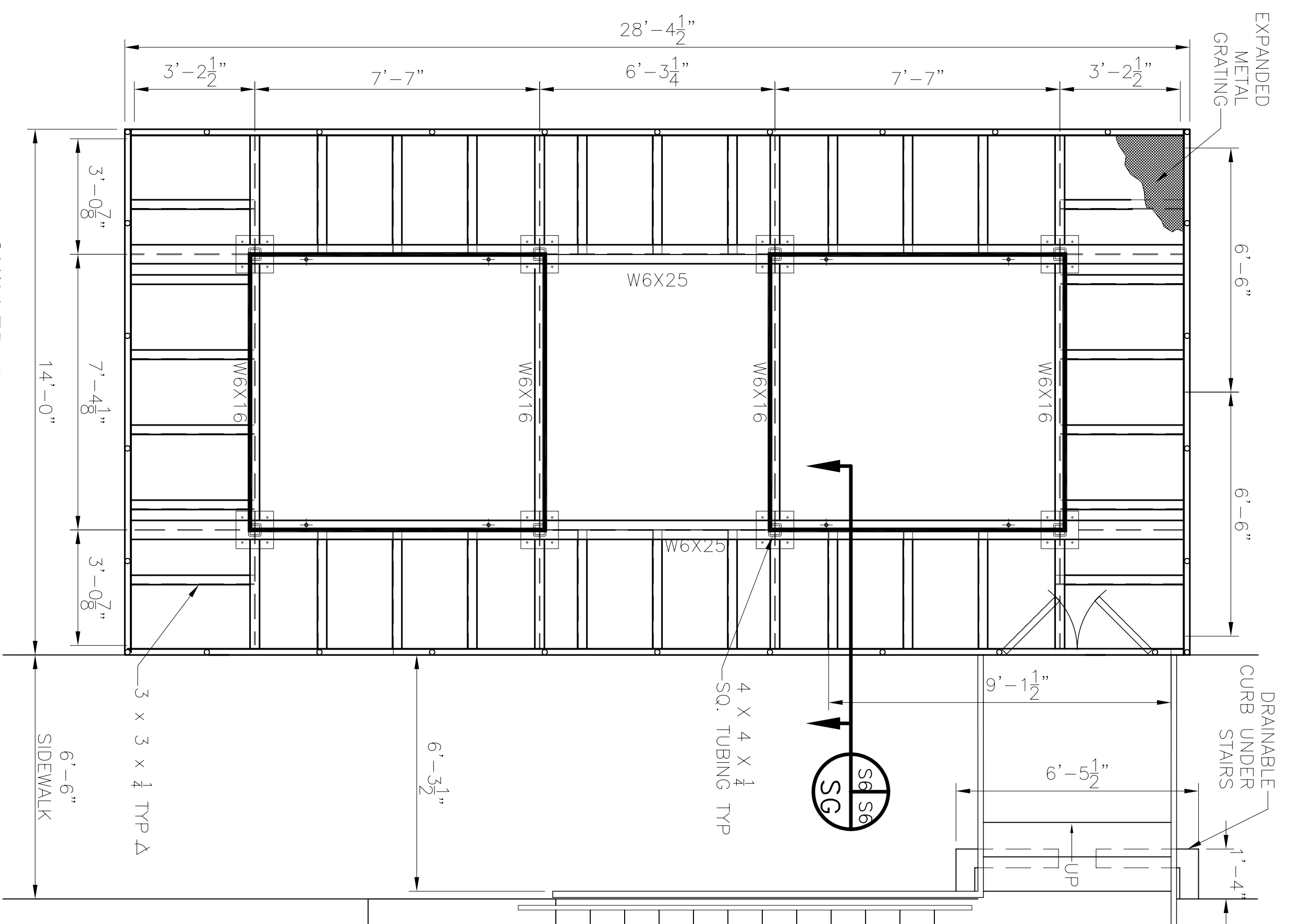


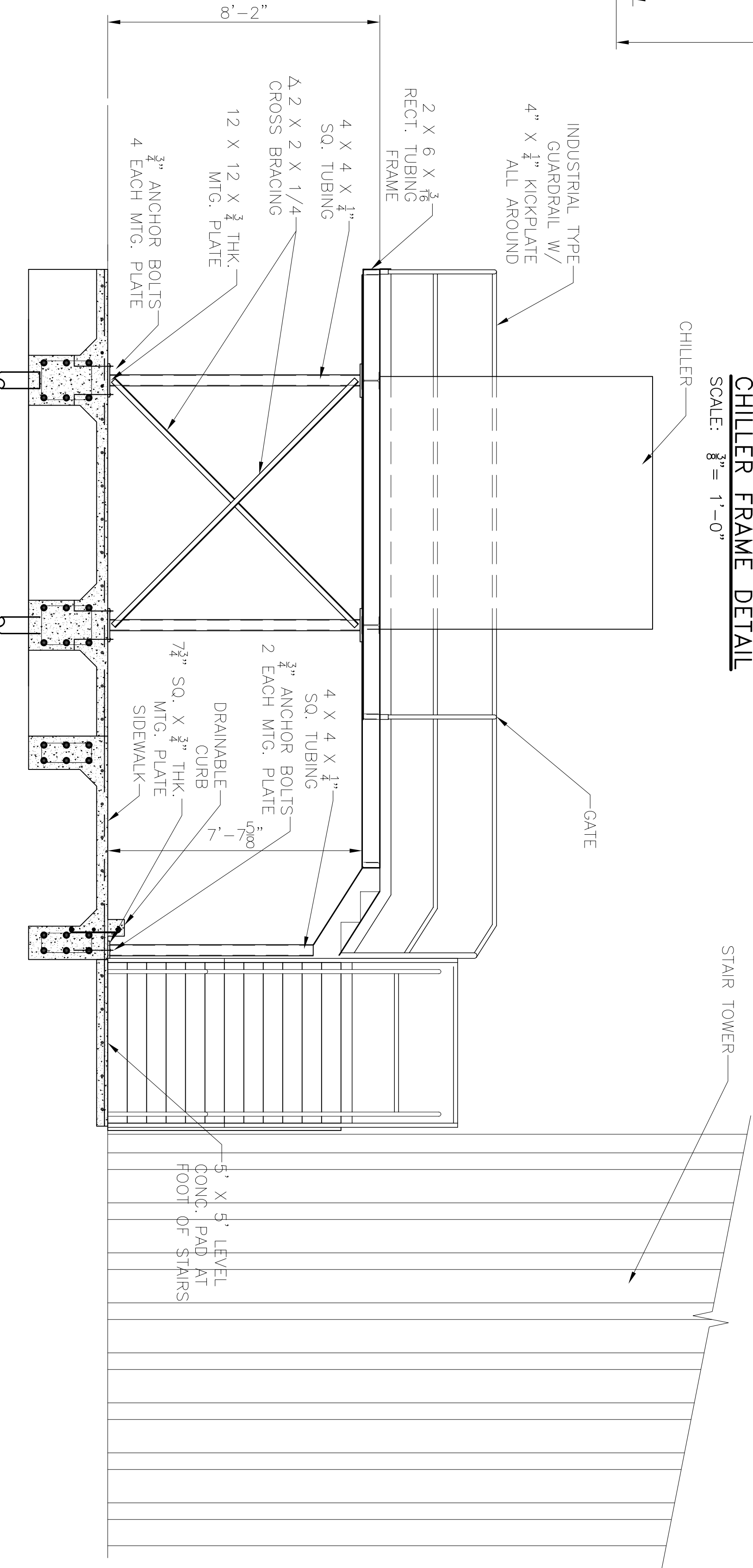
CHILLER PAD DETAIL
SCALE: 3/8" = 1'-0"



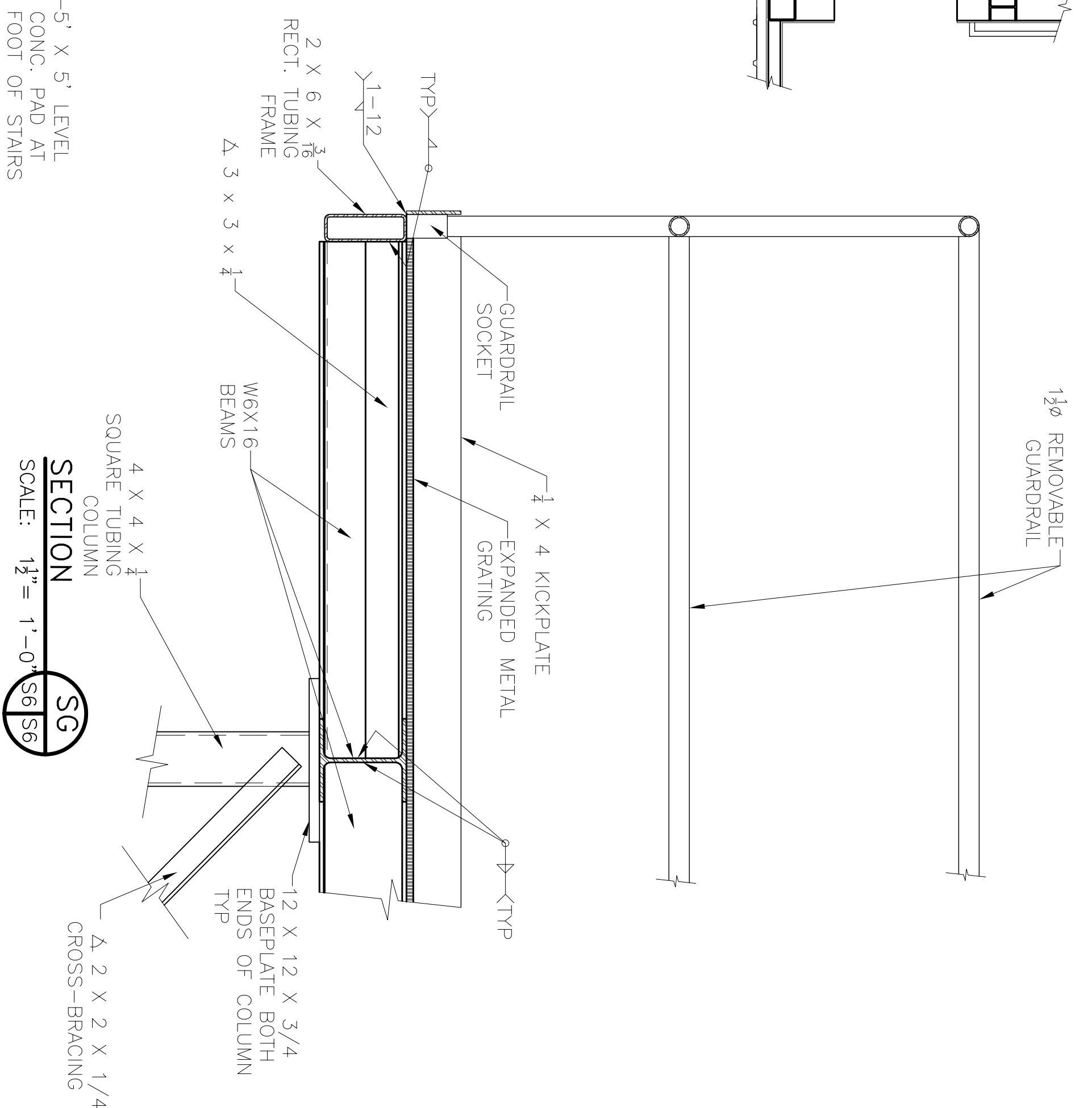
SECTION
SCALE: 3/8" = 1'-0"



CHILLER FRAME DETAIL
SCALE: 3/8" = 1'-0"



SECTION
SCALE: 3/8" = 1'-0"



SECTION
SCALE: 1/4" = 1'-0"

REVISED: 08/19/08cb
REVISED: 04/10/08cb
REVISED: 03/21/07cb
REVISED: 02/19/07cb

SCALE: AS NOTED
FILE:
JOB NO. 1729
DATE: 1-8-07
SHEET
S-9
OF

RENOVATE OFFICE BUILDING
DAMMON ENGINEERING, INC.
1095 FLORIDA AVENUE 985-649-5832 SLIDELL, LA. 70458
DAMMONENGINEERING.COM

CHILLER DECK & PAD DETAILS
ST. TAMMANY PARISH ADMIN. COMPLEX
520 OLD SPANISH TRAIL
SLIDELL, LOUISIANA