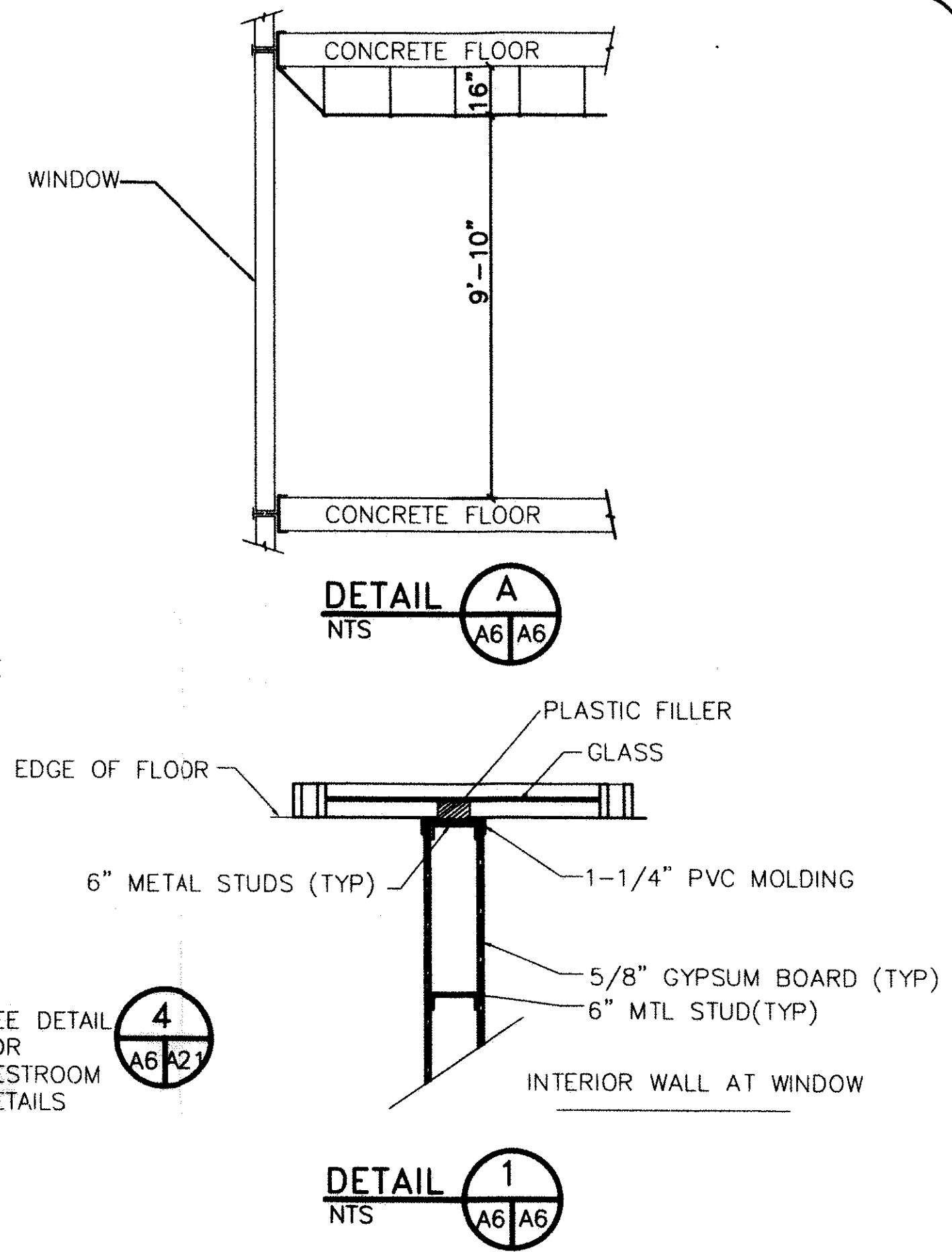


SIXTH FLOOR PLAN
SCALE: 1/8" = 1'-0"

NOTE:
KITCHEN CABINETS SHALL BE MEDIUM COMMERCIAL GRADE, FACTORY BUILT. COUNTER TOPS SHALL BE MANMADE MARBLE OR EQUAL.

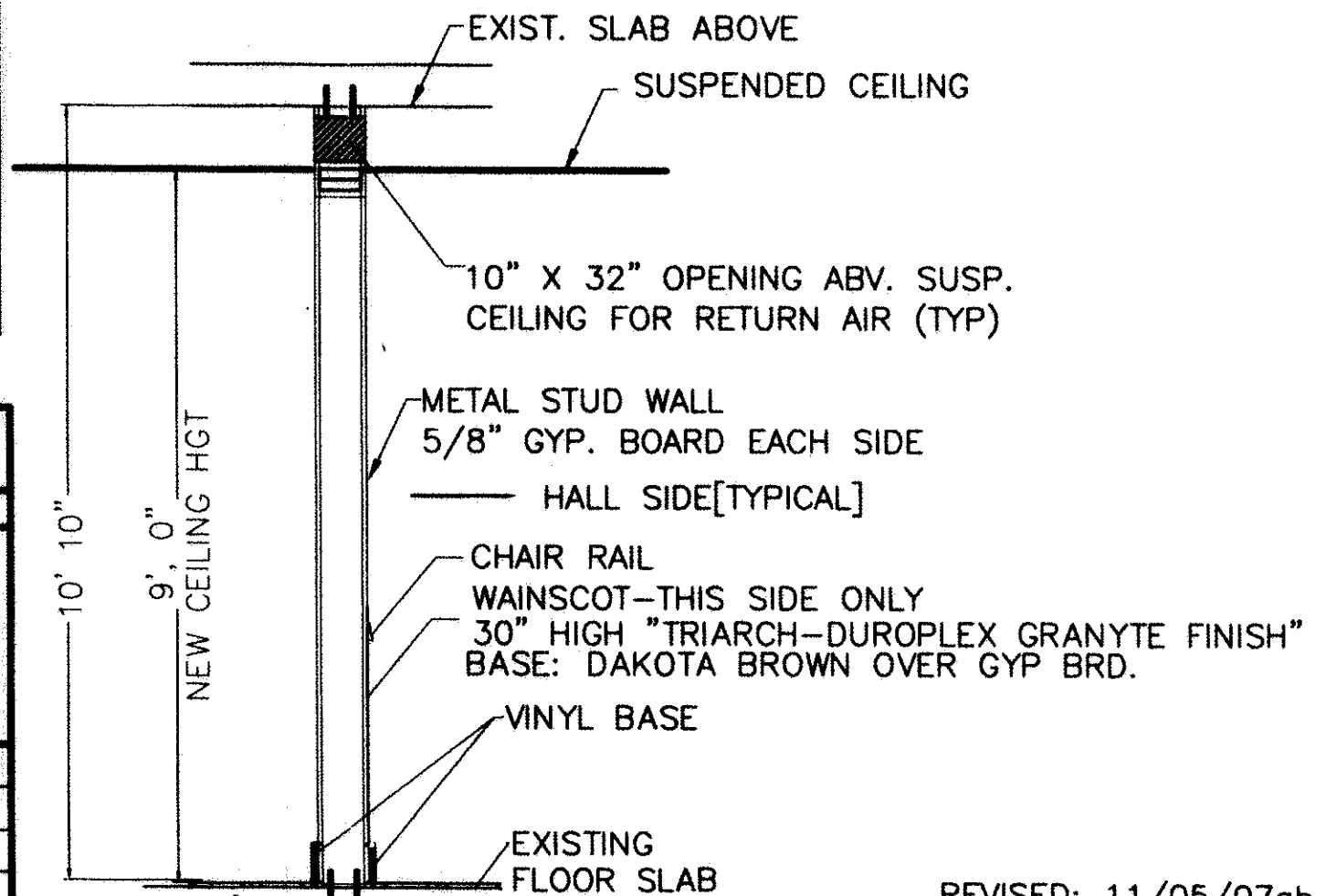
NOTE:
INSTALL DOORWORK/ENTRANCES AS REQUIRED SEE DWG. M-6 FOR A/R DETAILS



DETAIL 1
NTS A6/A6

DETAIL A
NTS A6/A6

DETAIL 2
SCALE: 1/4" = 1'-0" A6/A6



SECTION B
NTS A6/A6

- LEGEND**
- NEW WALL - [Symbol]
 - NEW 1 HOUR RATED WALL - [Symbol]
 - EXISTING WALL - [Symbol]
 - CURTAIN WALL - [Symbol]
 - SECURITY ACCESS DOOR (SCANNER BY OTHERS) - [Symbol]
 - RETURN AIR CASSED OPENING IN WALL (ROOM TO CEILING) - TO EQUAL 200 SQ. IN. - [Symbol]

ROOM	FINISH SCHEDULE										REMARKS							
	FLOOR	BASE	WALLS	CEILING	CLG HT													
600	CONCRETE	VINYL TILE	CERAMIC TILE	PAINTED WOOD	CERAMIC TILE	WOOD	CERAMIC TILE	GYPSUM BOARD	GREENBOARD	PAINT	CONCRETE	ACQUSTIC TILE	GYPSUM BOARD	FRP BOARD	OPEN	TEXT. CONC.	8'-6"	
601																	9'-0"	
602																	9'-0"	
603																	9'-0"	
604																	9'-0"	
605																	9'-0"	
606																	9'-0"	
607																	9'-0"	
608																	9'-0"	
609																	10'-6"	
610																	9'-0"	
611																	9'-0"	
612																	9'-0"	
613																	9'-0"	
614																	9'-0"	
615																	9'-0"	

*SEE SPEC FOR ALLOWANCE FOR INTERIOR DECORATING UNDERCUT ALL DOORS 3/4" TO ALL FOR PROPER EXHAUST AIR FLOW

DOOR	DOOR & HARDWARE SCHEDULE										REMARKS								
	TYPE	FRAME	HINGE	LOCK	ACCESSORIES														
1	3/0x7/0	SOLID WOOD	WOOD	WOOD	WOOD	WOOD	WOOD	WOOD	WOOD	WOOD	WOOD	WOOD	WOOD	WOOD	WOOD	WOOD	WOOD	WOOD	
2	3/0x7/0	HOLLOW METAL	ALUM./GLASS	STEEL	STEEL	STEEL	STEEL	STEEL	STEEL	STEEL	STEEL	STEEL	STEEL	STEEL	STEEL	STEEL	STEEL	STEEL	
3	3/0x7/0	STEEL	STEEL	STEEL	STEEL	STEEL	STEEL	STEEL	STEEL	STEEL	STEEL	STEEL	STEEL	STEEL	STEEL	STEEL	STEEL	STEEL	
4	3/0x7/0	STEEL	STEEL	STEEL	STEEL	STEEL	STEEL	STEEL	STEEL	STEEL	STEEL	STEEL	STEEL	STEEL	STEEL	STEEL	STEEL	STEEL	
5	3/0x7/0	STEEL	STEEL	STEEL	STEEL	STEEL	STEEL	STEEL	STEEL	STEEL	STEEL	STEEL	STEEL	STEEL	STEEL	STEEL	STEEL	STEEL	1 HOUR RATED

WINDOW	WINDOW SCHEDULE										REMARKS								
	TYPE	FRAME	GLASS	LITES	ACCESSORIES														
A	4x6/0x3/0	FIXED	ALUMINUM	WIREGLASS	WIREGLASS	WIREGLASS	WIREGLASS	WIREGLASS	WIREGLASS	WIREGLASS	WIREGLASS	WIREGLASS	WIREGLASS	WIREGLASS	WIREGLASS	WIREGLASS	WIREGLASS	WIREGLASS	APPROXIMATELY 3,700 SQ. FT.

*FINAL SIZES TO BE DETERMINED BY VENDOR FROM FIELD MEASUREMENTS [TYP. ALL FLOORS]

[Symbol] = ADDENDUM 4 CHANGE [Symbol] = 09/19/07 CHANGE

REVISD: 11/05/07ab
 REVISD: 09/19/07ab
 REVISD: 08/20/07ab
 REVISD: 05/17/07ab
 REVISD: 04/09/07
 REVISD: 02/19/07
 REVISD: 01/22/07

6TH FLOOR RENOVATE PLAN
 ST. TAMMANY PARISH ADMIN. COMPLEX
 520 OLD SPANISH TRAIL
 SLIDELL, LOUISIANA

RENOVATE OFFICE BUILDING
DAMMON ENGINEERING, INC.
 1095 FLORIDA AVENUE 985-649-6632 SLIDELL, LA. 70458
 DAMMONENGINEERING.COM

SCALE: AS NOTED
 FILE: [Signature]
 JOB NO. 1729
 DATE: 1-8-07
 SHEET
A-6
 OF