

DAMMON
ENGINEERING, INC.

CHIEF ENGINEER
EMMETT
DAMMON, P.E.

CHIEF ARCHITECT
ROBERT
WILTSE

1095 FLORIDA AVENUE
SLIDELL, LA. 70458
OFFICE: 985-649-5832
FAX: 985-641-5950

WEBSITE:
WWW.DAMMONENGINEERING.COM

EMAIL:
DAMMONENG@BELL.SOUTH.NET

ARCHITECTURE

ENGINEERING

STUDIES

PLANNING

INVESTIGATION

EXPERT WITNESS

CECIL BOYD'S
CAR WASH
LOT 5A
EAST HALL ST.
SLIDELL, LA

ROOF PLAN,
ROOF FRAMING
PLAN, AND
ROOF DETAILS

REV:

SCALE: AS NOTED

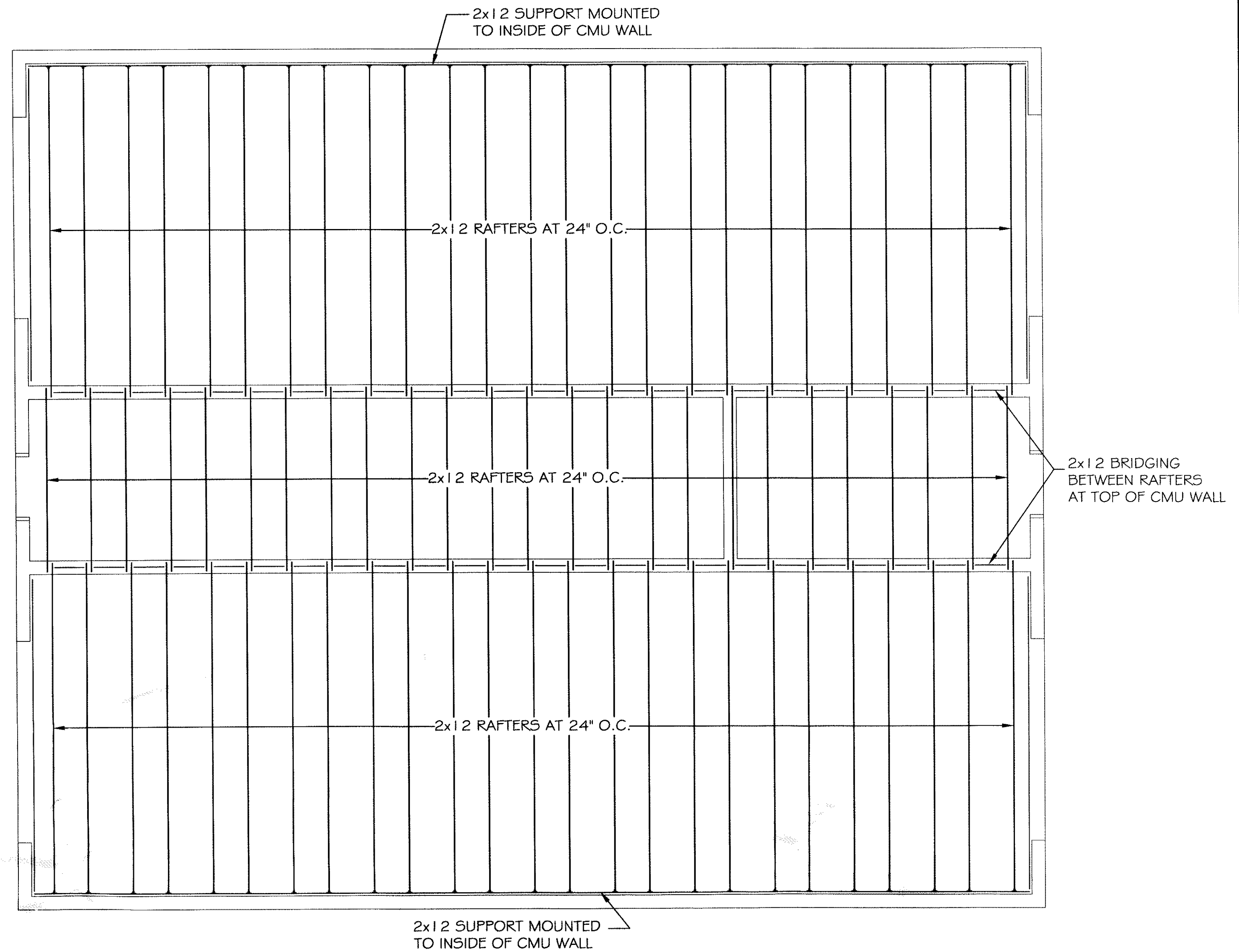
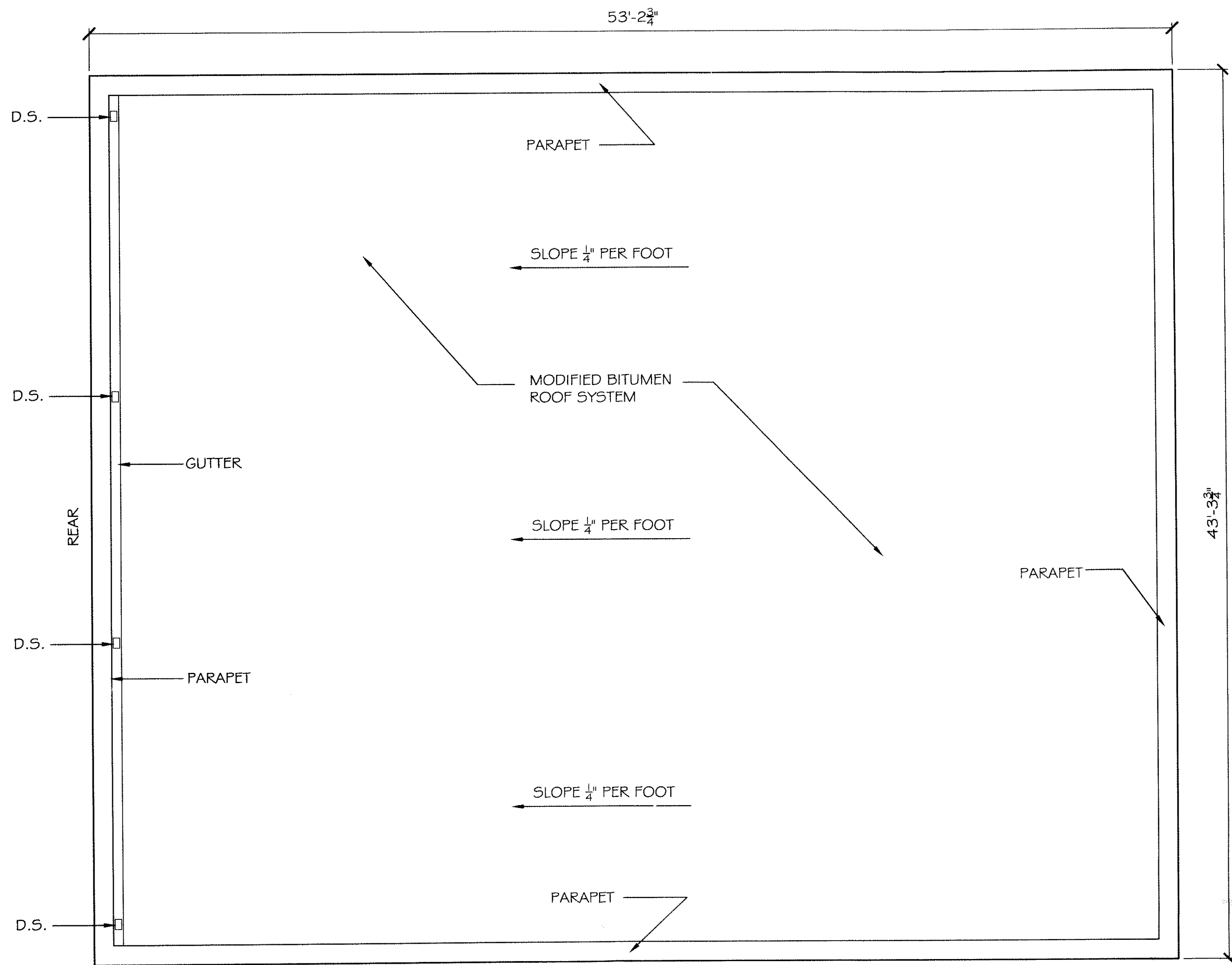
JOB#: 2074

DATE: 09-13-10

SHEET 15

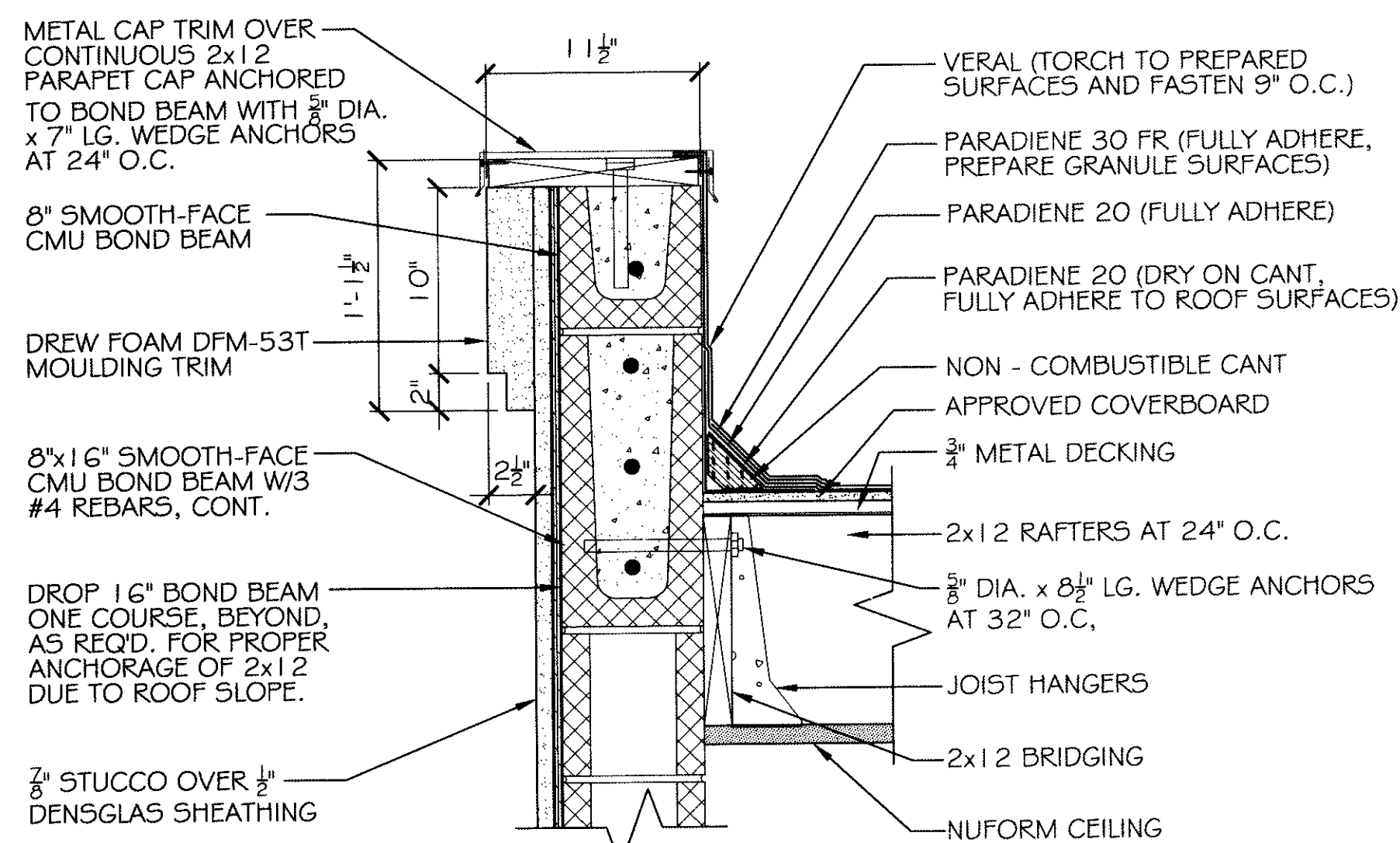
OF 18

F-1

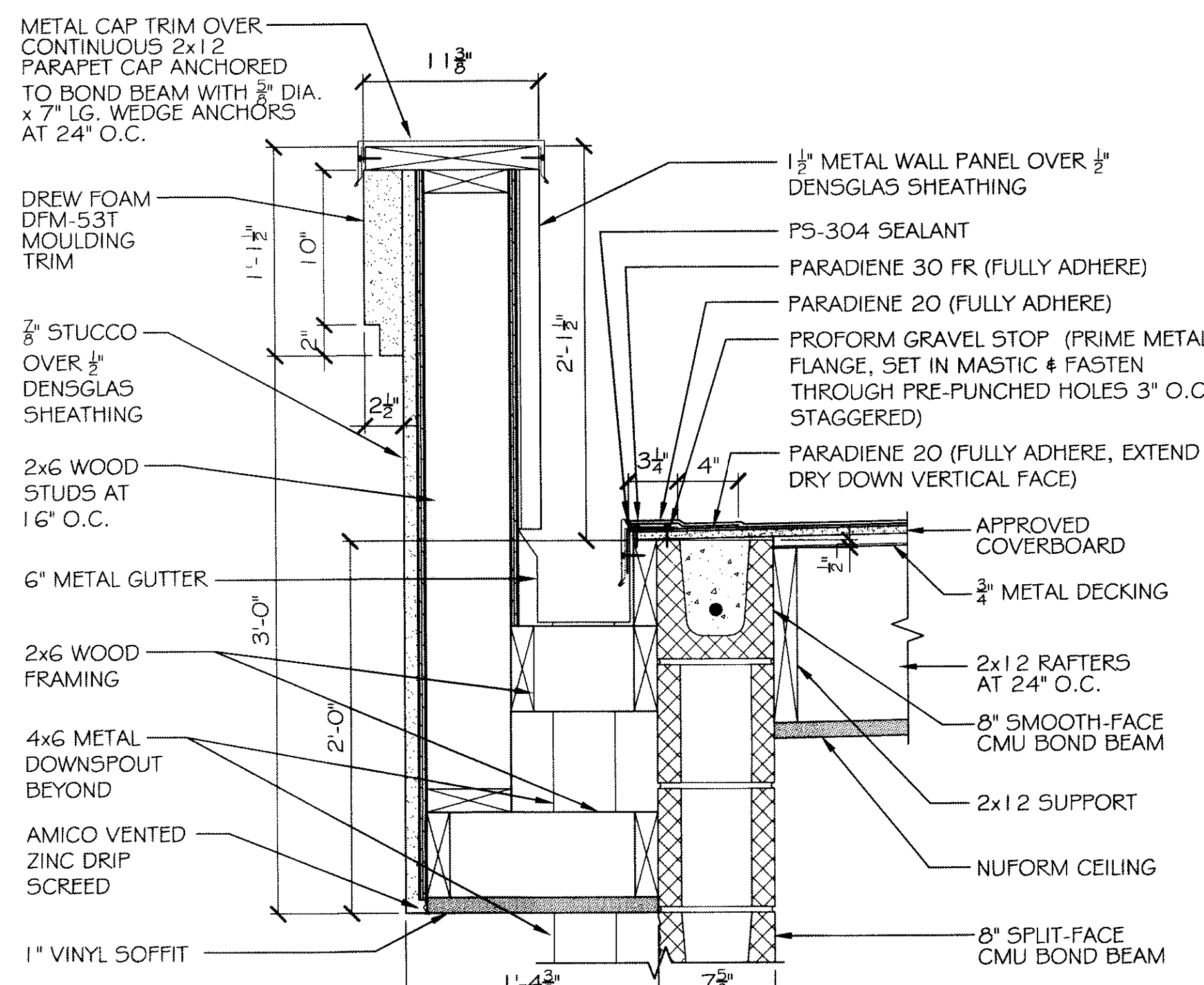


ROOF PLAN
SCALE: 1/4"=1'

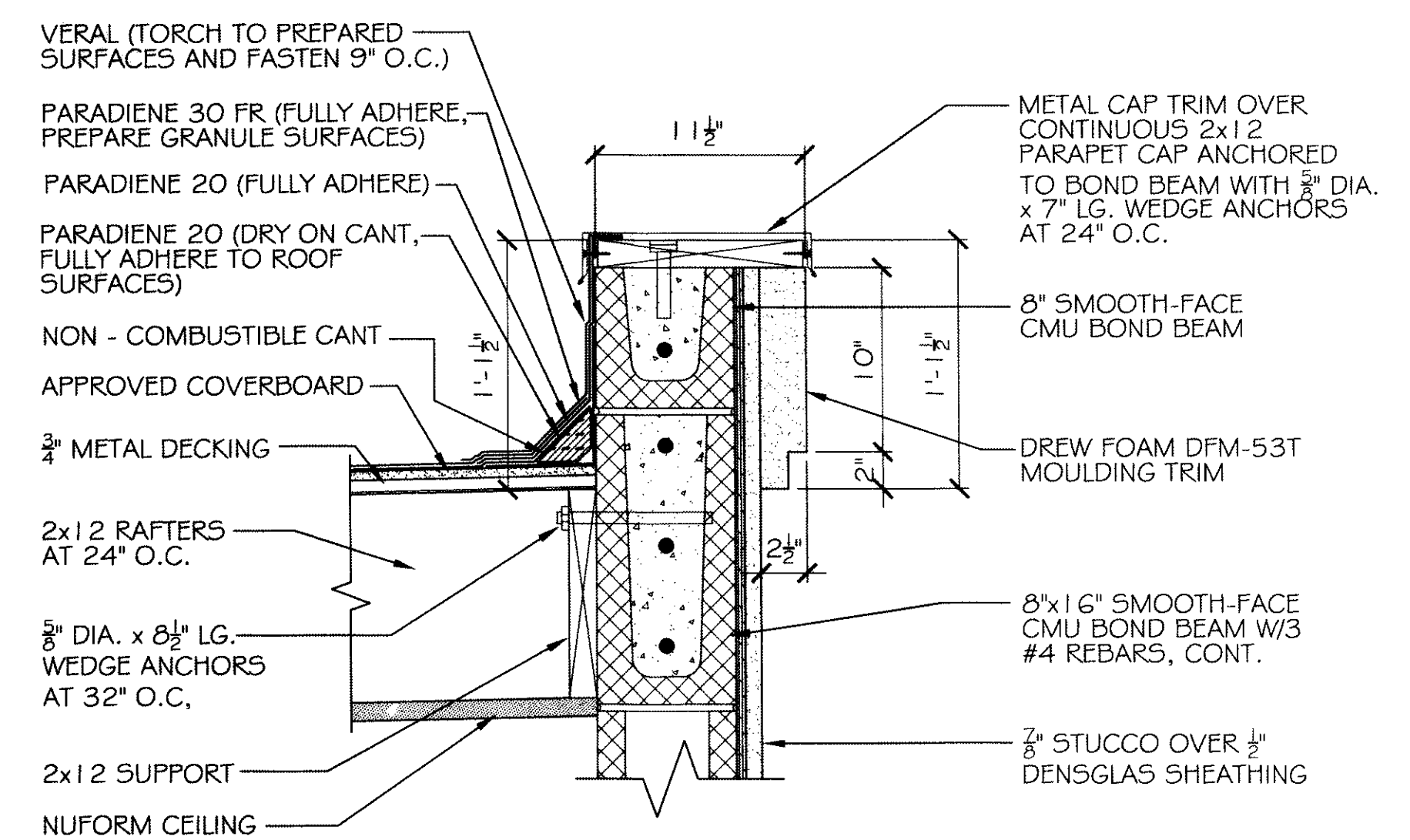
ROOF FRAMING PLAN
SCALE: 1/4"=1'



ROOF AT SIDE PARAPET
SCALE: 1-1/2"=1'



ROOF AT REAR PARAPET
SCALE: 1-1/2"=1'



ROOF AT FRONT PARAPET
SCALE: 1-1/2"=1'

387276
REVIEWED FOR
STATE FIRE MARSHAL
AS PER REVIEW LETTER
BY: WILLIAM D. JONES, ARCHITECT CBO
William D. Jones