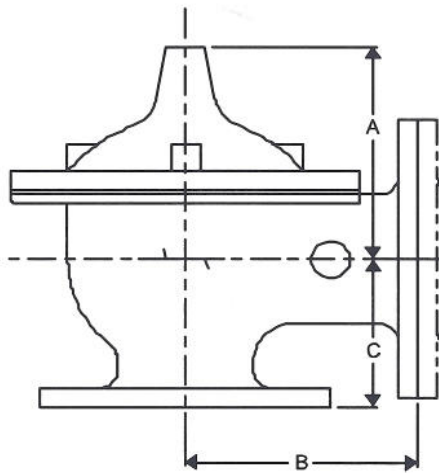


Main Relief Valve and Waste Cone

SUBMITTAL DRAWING

JOB: _____	REPRESENTATIVE: _____
ENGINEER: _____	ORDER NO: _____ DATE: _____
CONTRACTOR: _____	SUBMITTED BY: _____ DATE: _____
	APPROVED BY: _____ DATE: _____

MAIN RELIEF VALVE



90° MAIN RELIEF VALVE				
Size	Max. Pump Rating ² USgpm (L/s)	A	B	C
3 (76)	500 (32)	12-1/2 (317)	6 (152)	4 (102)
4 (102)	1000 (63)	13 (330)	7-1/2 (190)	5 (127)
6 (152)	2500 (158)	14-5/16 (364)	10 (254)	6 (152)
8 (203)	5000 (315)	16-5/16 (414)	12-3/4 (324)	8 (203)

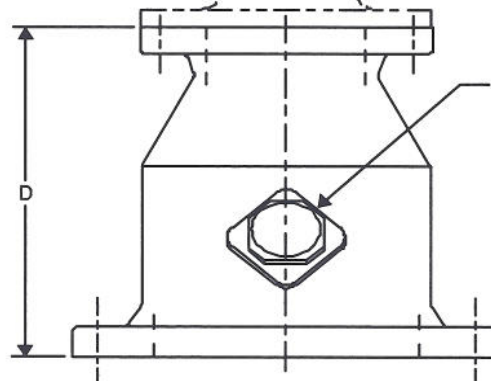
125# ANSI FLAT FACE FLANGES STD

SUPPLIED BY OTHERS
IF REQUIRED (NOTE 1)



OVERFLOW CONE		
Size	Max. Pump Rating ² USgpm (L/s)	D
3 x 6 (76 x 152)	500 (32)	8-5/8 (219)
4 x 6 (102 x 152)	750 (47)	8-7/8 (225)
4 x 8 (102 x 203)	1000 (63)	9-1/2 (241)
6 x 8 (152 x 203)	1500 (95)	9-7/8 (251)
6 x 10 (152 x 254)	2500 (158)	11-1/16 (281)
8 x 12 (203 x 305)	3500 (221)	12-1/2 (318)
8 x 14 (203 x 356)	5000 (315)	17-1/2 (445)

125# ANSI FLAT FACE FLANGES STD



2 - 2" SIGHT GLASS
(1 EACH SIDE ON
ENCLOSED CONE ONLY)

ENCLOSED CONE
 OPEN CONE

OVERFLOW CONE

NOTE:

- Cone can be installed directly on the Main Relief Valve (NFPA 20 2003 5.18.5.1).
- Maximum Pump Rating as per NFPA 20 2003 Table 5.25.
- Main Relief Valves are only allowed where NFPA 20 2003 5.18 permits.

NOTE:

As per NFPA 20 2003
Section 6-3.

DWG#	DATE:	REV:
All dimensions are in inches (mm).		

S. A. Armstrong Limited
 23 Bertrand Avenue
 Toronto, Ontario
 Canada, M1L 2P3
 T: (416) 755-2291
 F (Main): (416) 759-9101

Armstrong Pumps Inc.
 93 East Avenue
 North Tonawanda, New York
 U.S.A. 14120-6594
 T: (716) 693-8813
 F: (716) 693-8970

Armstrong Holden Brooke Pullen
 Wenlock Way
 Manchester
 United Kingdom, M12 5JL
 T: +44 (0) 161 223 2223
 F: +44 (0) 161 220 9660

