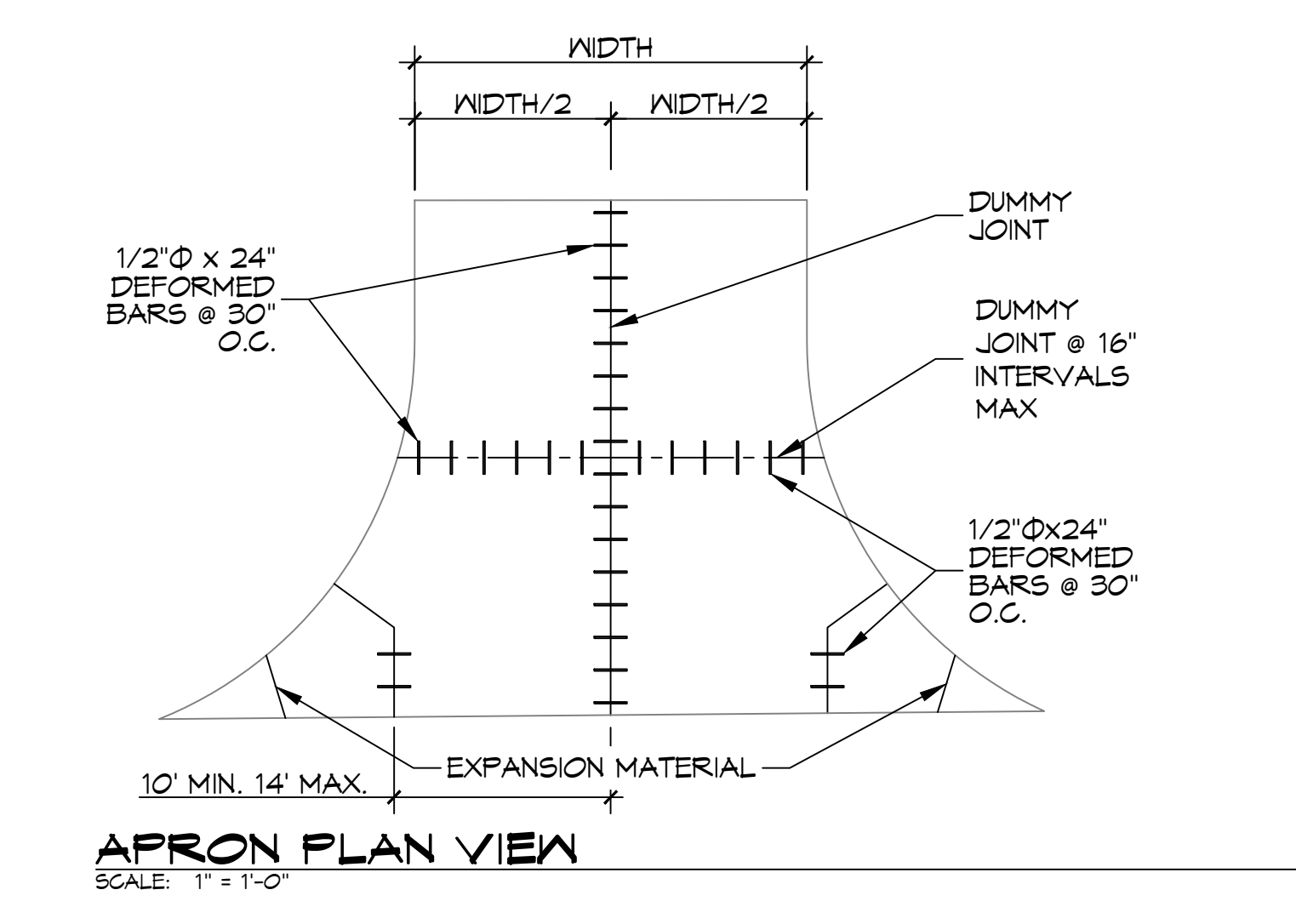
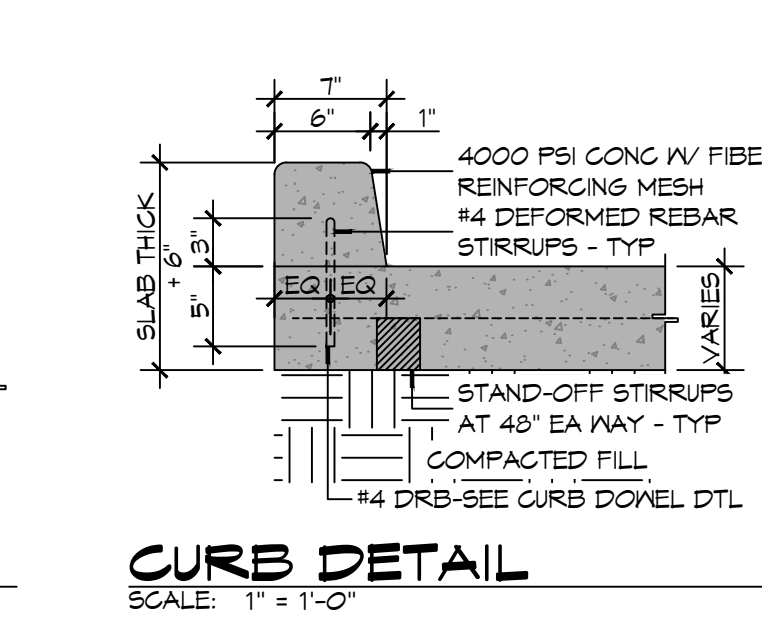
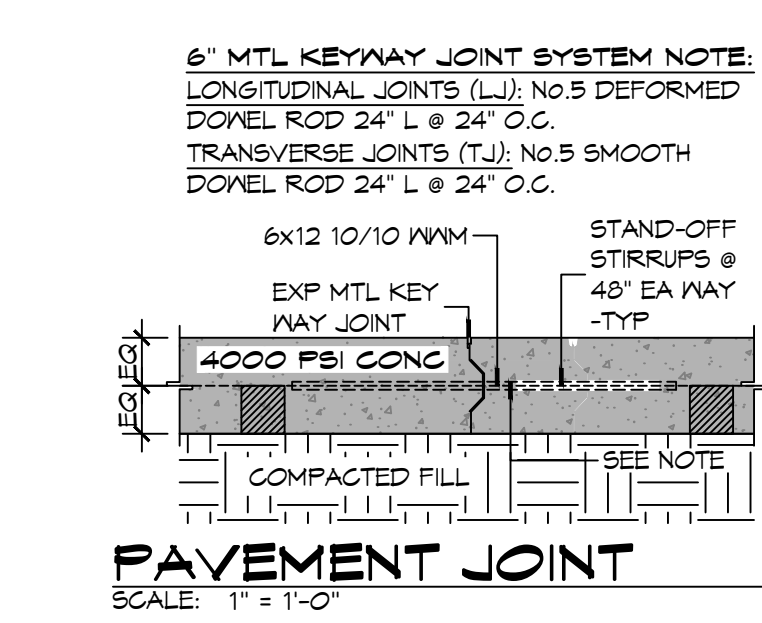
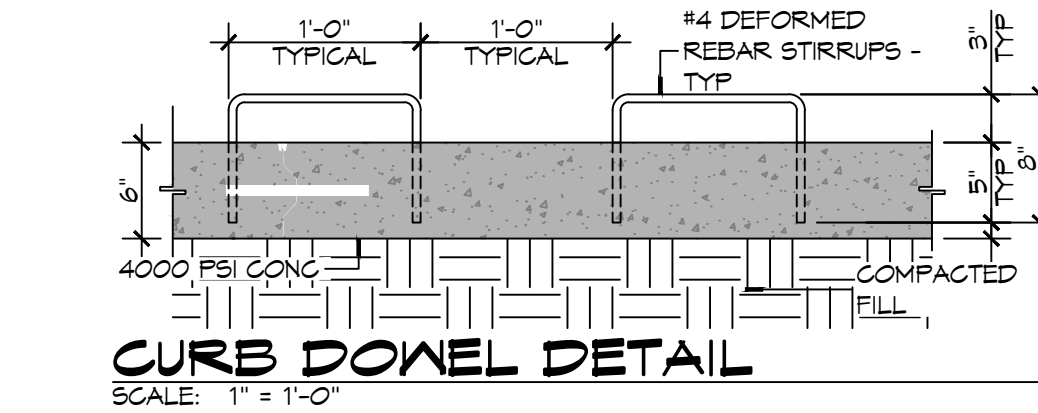
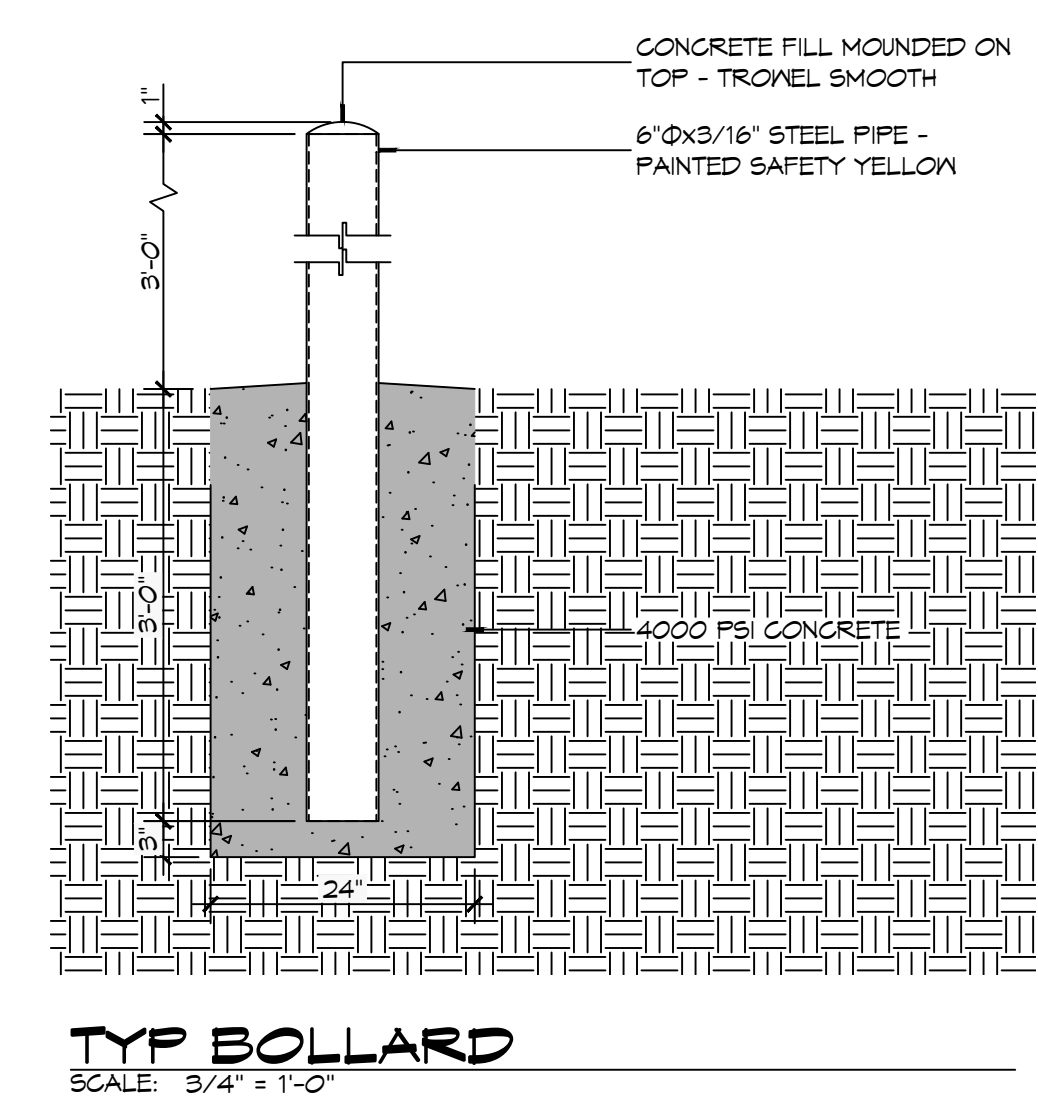
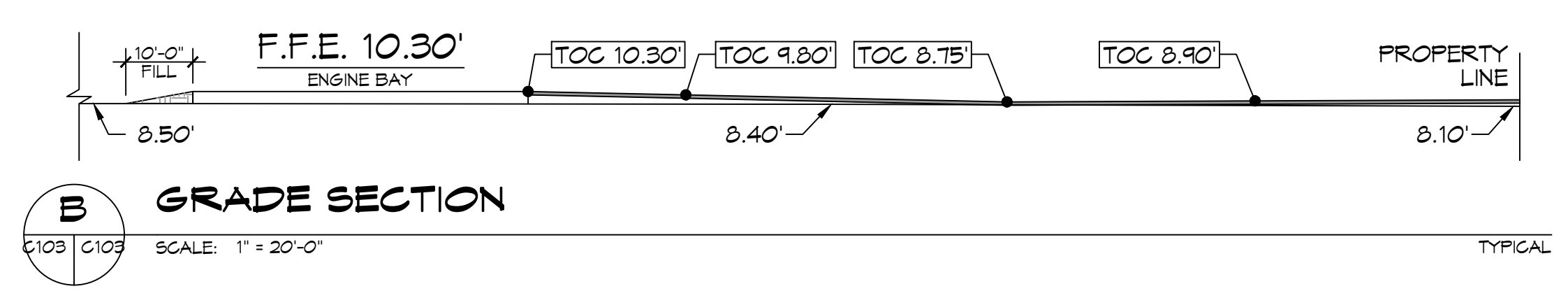
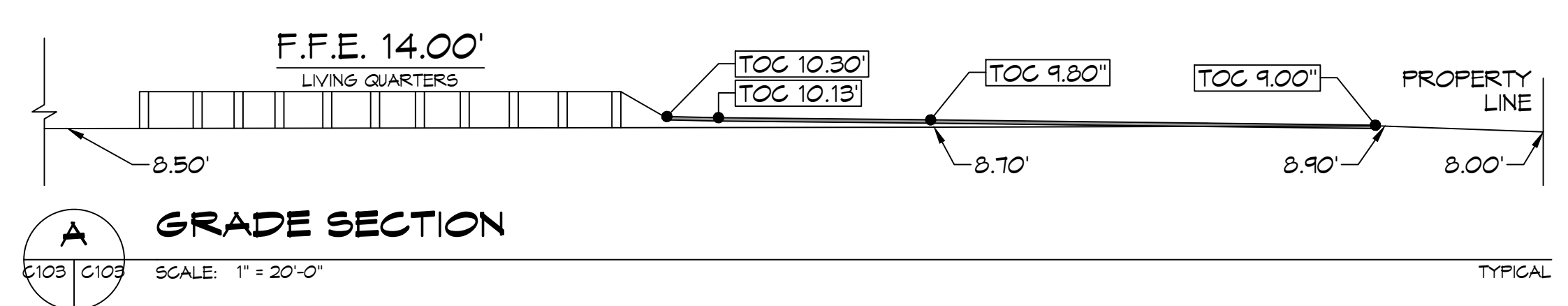
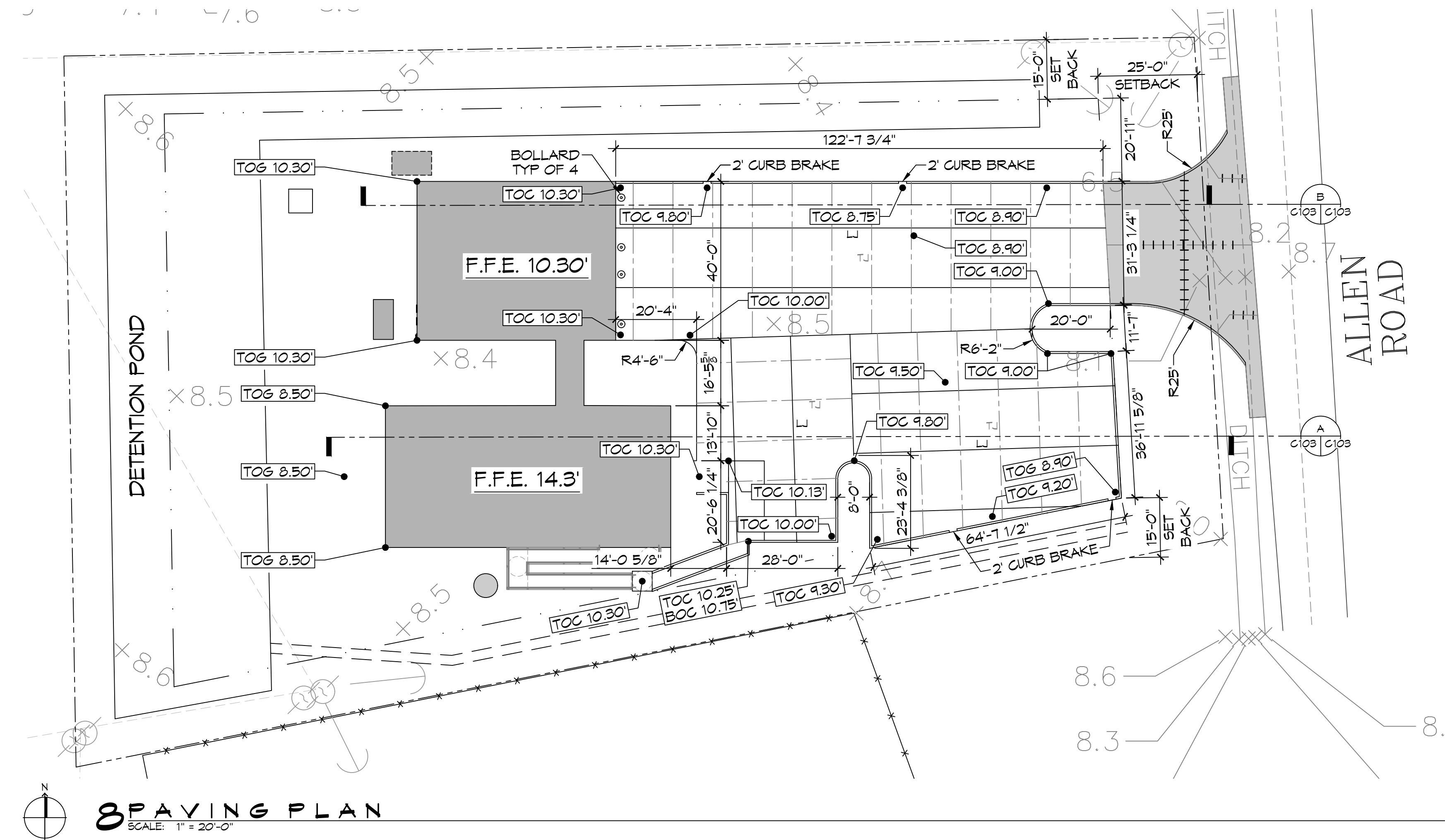


FILE NAME: J:\Projects\2022\220411\220411.dwg
 PLOT DATE: 4/29/2022 10:24:11 AM
 PLOT SCALE: 1/8" = 1'-0"
 PLOT DEVICE: HPGL
 PLOT METHOD: EPL
 PLOT STATUS: SUCCESS



GENERAL PAVING NOTES

- ALL NEW CONCRETE SHALL HAVE A MINIMUM COMPRESSIVE STRENGTH OF 4,000 PSI AT 28 DAYS AND A MINIMUM THICKNESS OF 6". CONCRETE MIX SHALL BE IN ACCORDANCE WITH THE LATEST REVISION OF ASTM C-150 TYPE 1.
- CONCRETE PAVING THICKNESS SHALL VARY AS FOLLOWS:
 - APRONS & LOADING AREAS = 8" THICKNESS (INDICATED WITH CROSS HATCH WHERE OCCURS)
 - DRIVE LANES & PARKING AREAS = 6" THICKNESS (STANDARD UNO)
- ALL REINFORCING STEEL SHALL MEET ASTM-A615 (GRADE 60).
- ALL REINFORCING STEEL SHALL BE SECURELY SUPPORTED TO PREVENT BOTH VERTICAL AND HORIZONTAL MOVEMENT DURING CONCRETE PLACEMENT. ALL CONTROL AND EXPANSION JOINTS SHALL BE LOCATED AND INSTALLED AS SHOWN ON THE PAVING PLAN AND IN ACCORDANCE WITH THE MANUFACTURER'S RECOMMENDATIONS.
- MUCK OUT AND FILL. SEE THE GEOTECHNICAL ENGINEERING REPORT BY STRATUM ENGINEERING DATED APRIL 29, 2022.
- ANY WORK WITHIN THE ROADWAY OR ADJACENT TO THE ROADWAY CAUSING AN INTERFERENCE TO VEHICULAR TRAFFIC MUST CONFORM TO THE REQUIREMENTS SET FORTH BY THE UNIFORM MANUAL OF TRAFFIC CONTROL DEVICES OF THE STATE OF LOUISIANA. THE CONTRACTOR MUST FURNISH ALL NECESSARY TRAFFIC SIGNS AND/OR BARRICADES AND MAINTAIN THEM DURING CONSTRUCTION ACTIVITY.

PAVING LEGEND

LJ LONGITUDINAL JOINTS - NO. 5 DEFORMED DOVEL RODS 24" LONG @ 24" O. C.

TJ TRANSVERSE JOINTS (TJ) - NO. 5 SMOOTH DOVEL RODS 24" LONG @ 24" O. C.

TOC TOP OF CONCRETE

BOC BOTTOM OF CONCRETE

TOG TOP OF GRADE

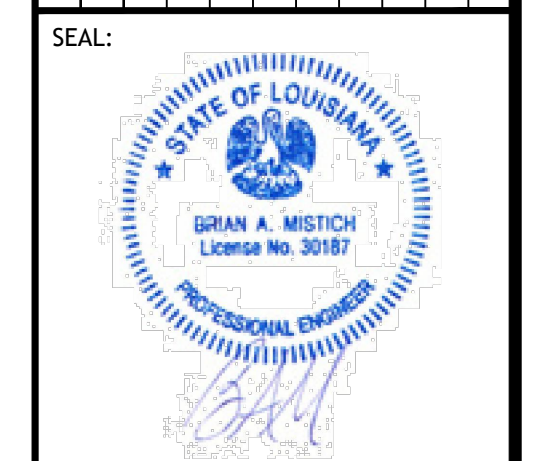
--- PROPERTY LINE

--- PROPERTY SETBACK

DAMMON ENGINEERING, INC.
LOUISIANA & MISSISSIPPI

Chief Engineer: Brian A. Mistich, PE
554 Old Spanish Trail
Slidell, LA 70468
www.dammonengineering.com
info@dammonengineering.com
PH: 985.649.5832

#	DESCRIPTION	DATE



ST. TAMMANY FIRE PROTECTION DISTRICT NO. 1
FIRE STATION 19

5704T ALLEN ROAD
SLIDELL, LOUISIANA 70461

JOB No: 2456 DATE: 05-12-2022
DRAWN BY: BAW CHECKED BY: BAW

SHEET TITLE:
PAVING PLAN

DRAWING NUMBER:
C103

SHEET No: 5 of 24