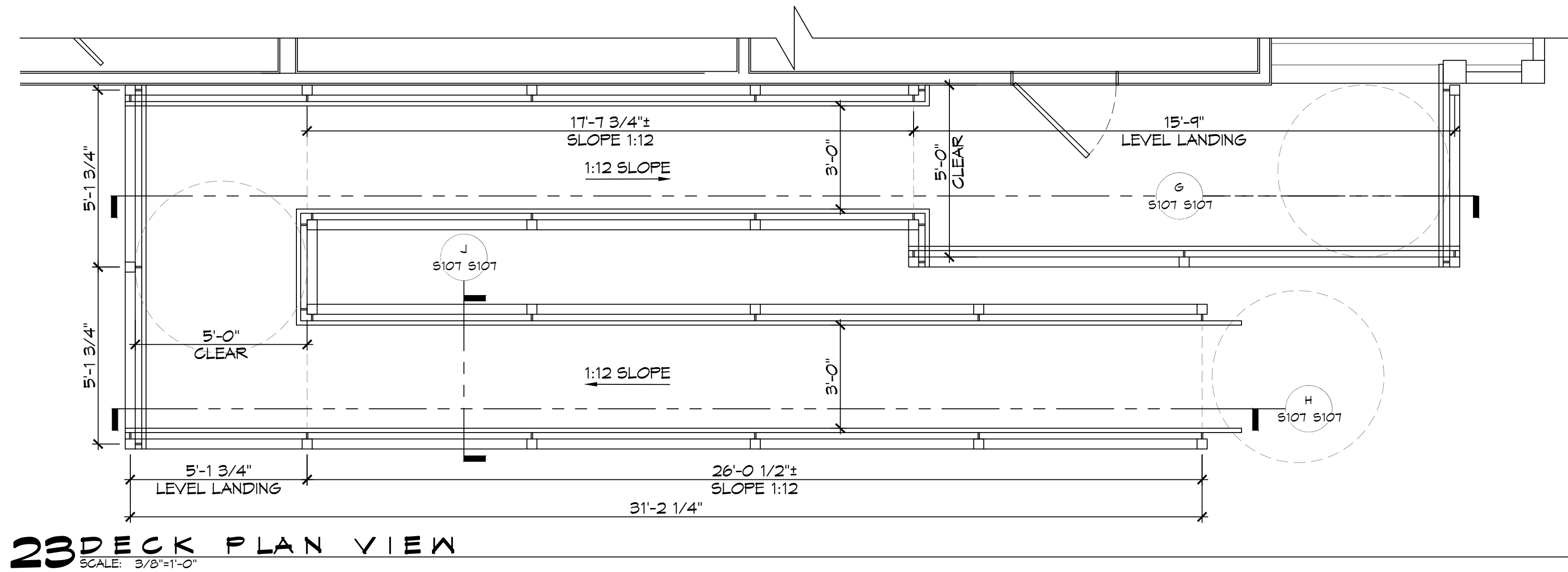
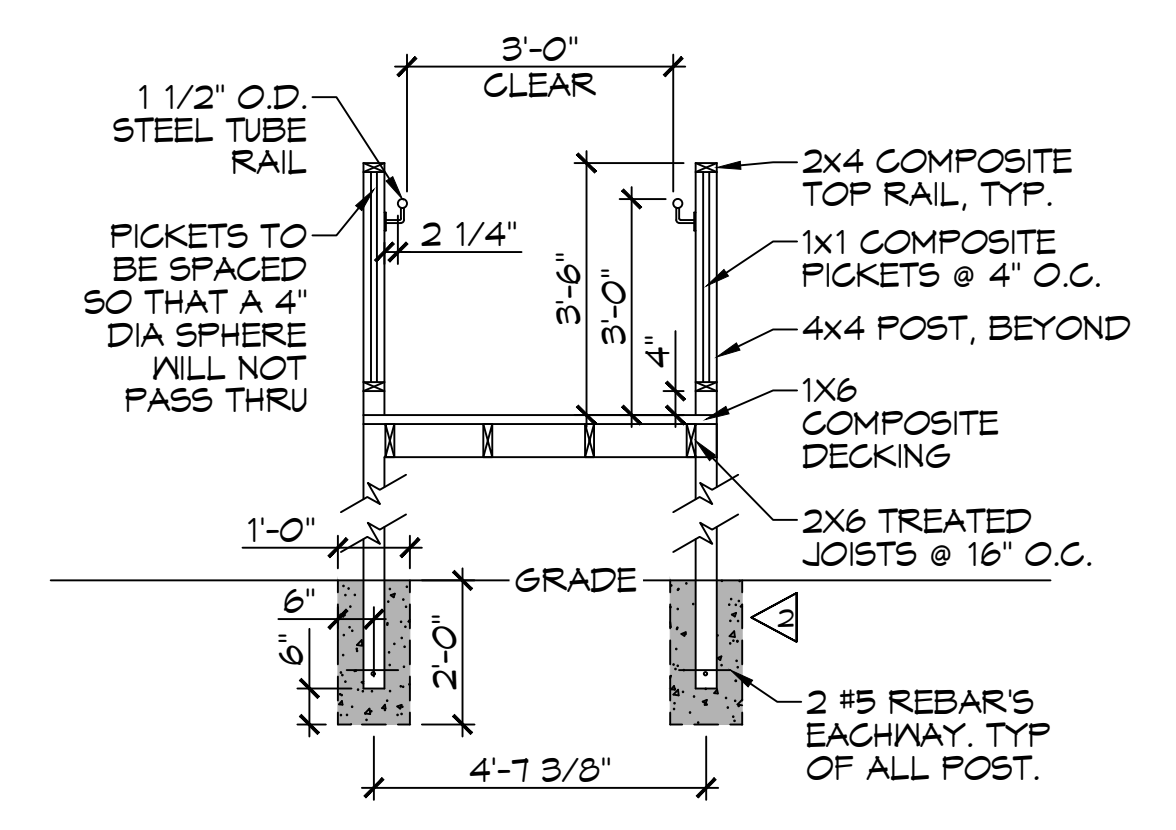


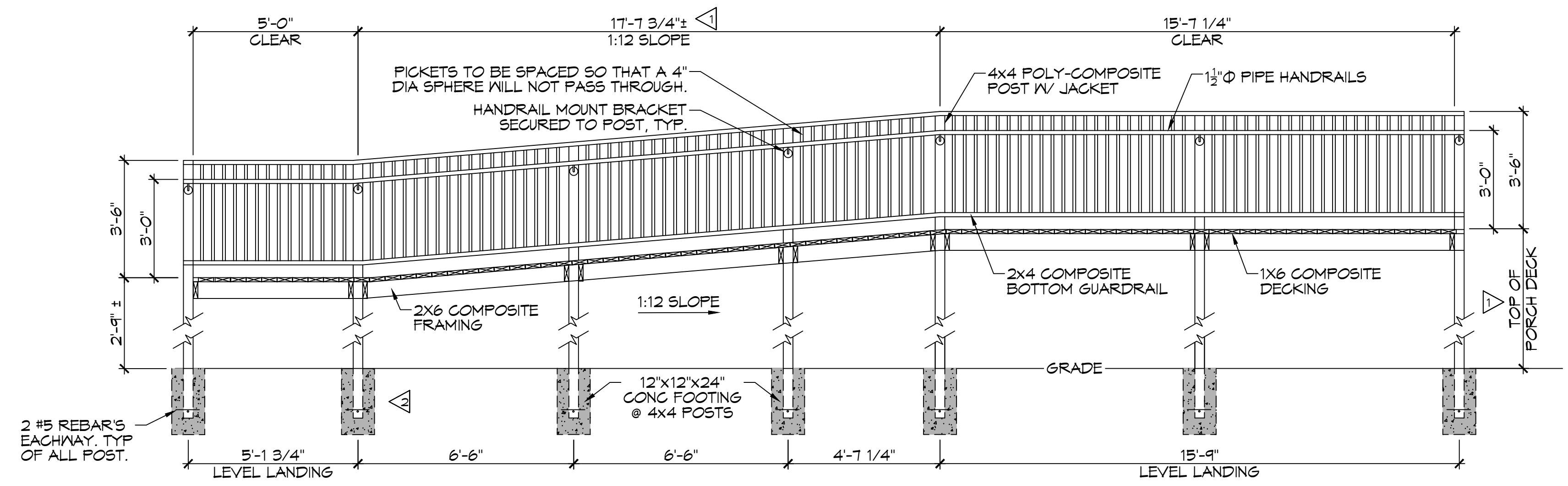
FILE NAME: J:\S - Government\3107 - Ada Ramp Draw Station 10\Drawings\General\3107 - ADA Ramp Deck.dwg PLOT DATE: 05-12-2022 10:13 AM



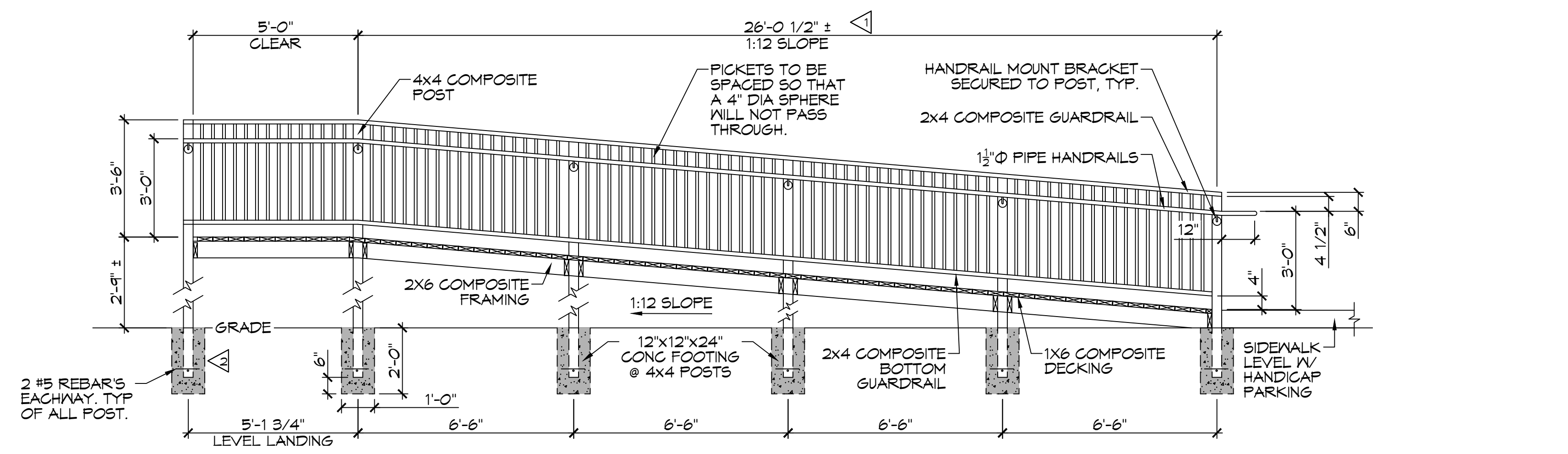
23 DECK PLAN VIEW
SCALE: 3/8" = 1'-0"



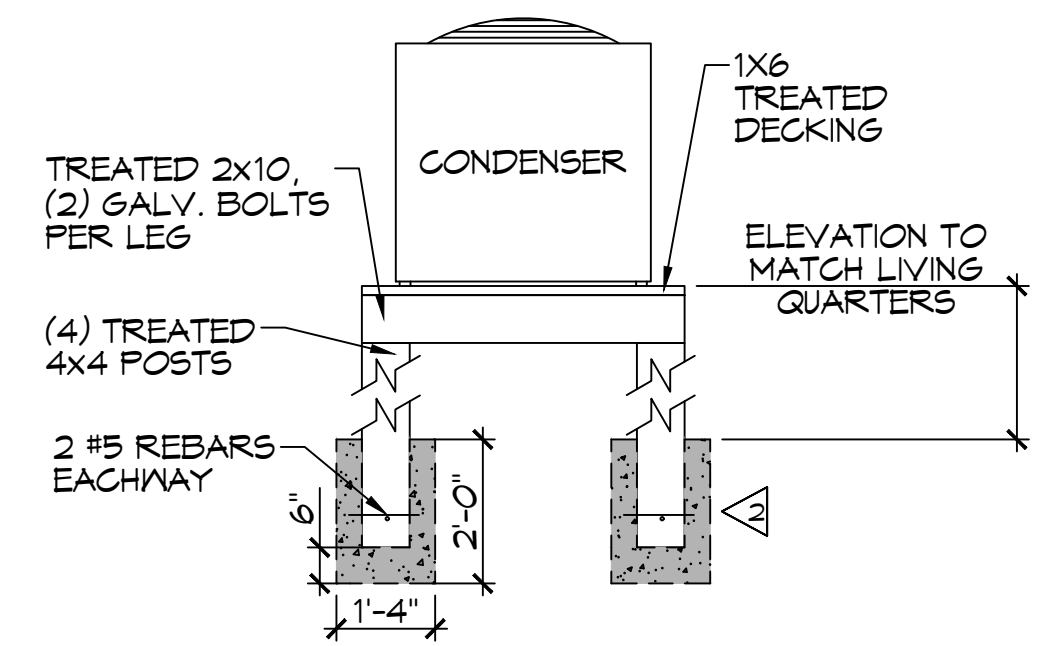
J RAMP SECTION VIEW
SCALE: 3/8" = 1'-0"



G RAMP SECTION VIEW
SCALE: 3/8" = 1'-0"



H RAMP SECTION VIEW
SCALE: 3/8" = 1'-0"



24/C CONDENSER
SCALE: 3/8" = 1'-0"

- GENERAL NOTES**
- ▲ FIELD VERIFY HEIGHT TO MATCH BUILDING
 - ▲ 4000 PSI CAST IN PLACE CONCRETE FOOTING

DAMMON ENGINEERING, INC.
 LOUISIANA & MISSISSIPPI
 Chief Engineer: Brian Mistich, PE
 554 Old Spanish Trail
 Slidell, LA 70458
 www.dammonengineering.com
 info@dammonengineering.com
 PH: 985.649.8832

REVISIONS	DATE

SEAL:

ST. TAMMANY FIRE PROTECTION DISTRICT NO. 1
FIRE STATION 19
 57047 ALLEN ROAD
 SLIDELL, LOUISIANA 70461
 JOB No: 2456 DATE: 05-12-2022
 DRAWN BY: CKD CHECKED BY: JAS

SHEET TITLE:
 ADA RAMP
 DRAWING NUMBER:
S107
 SHEET No: 12 of 24