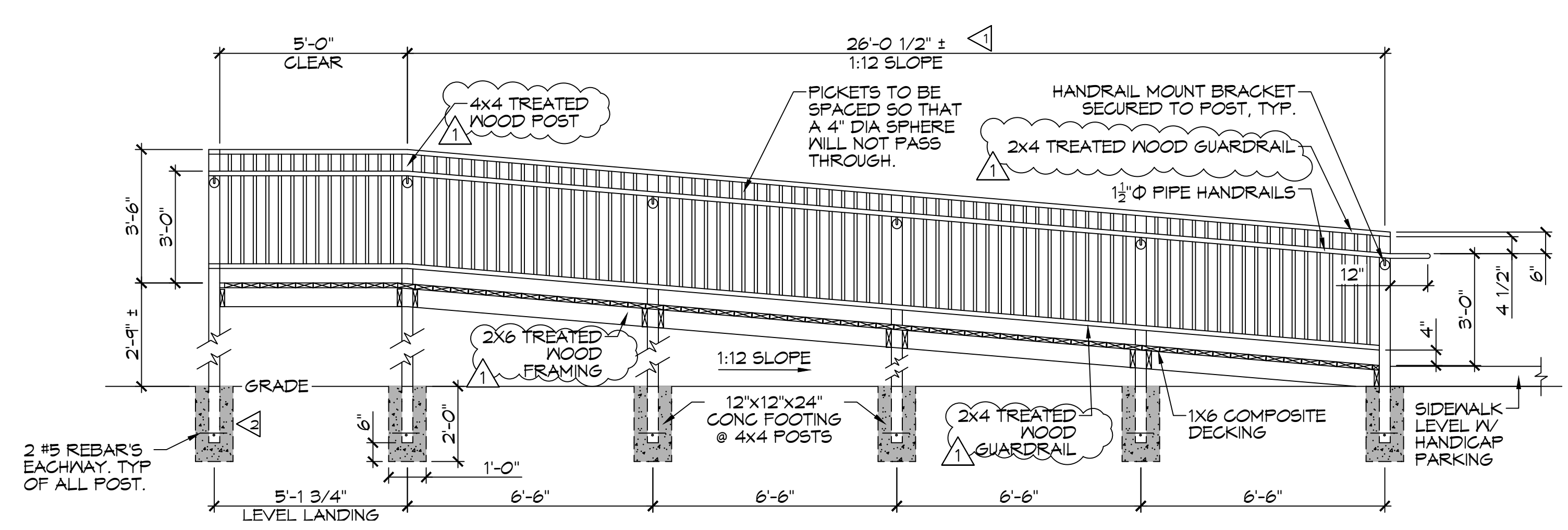
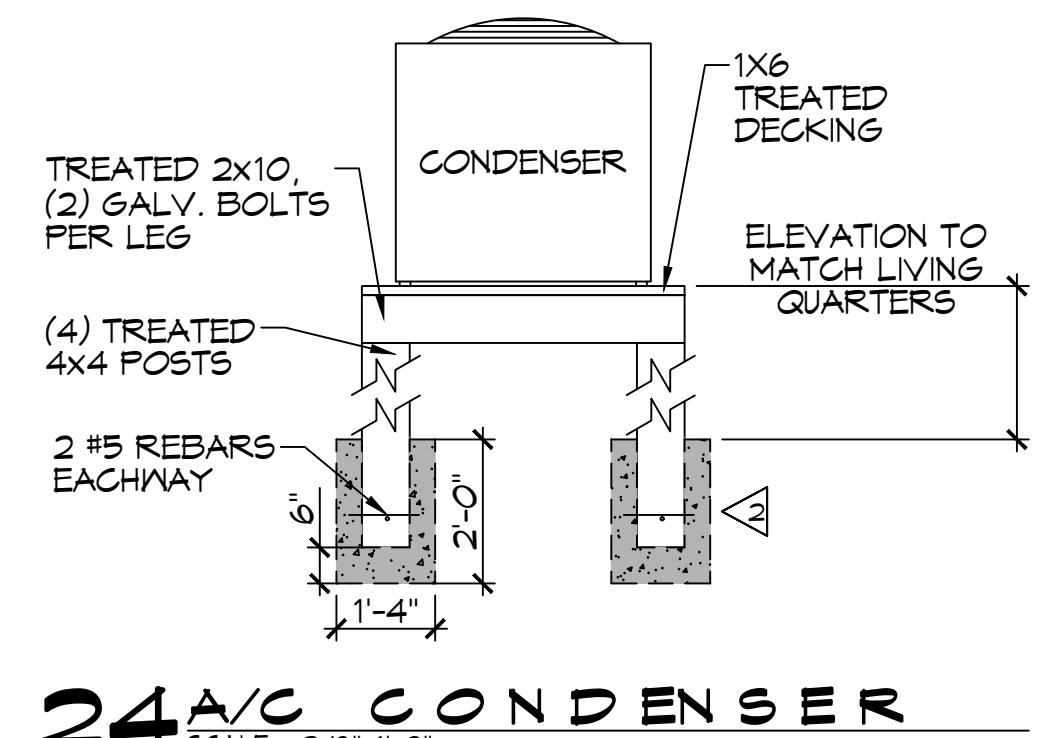
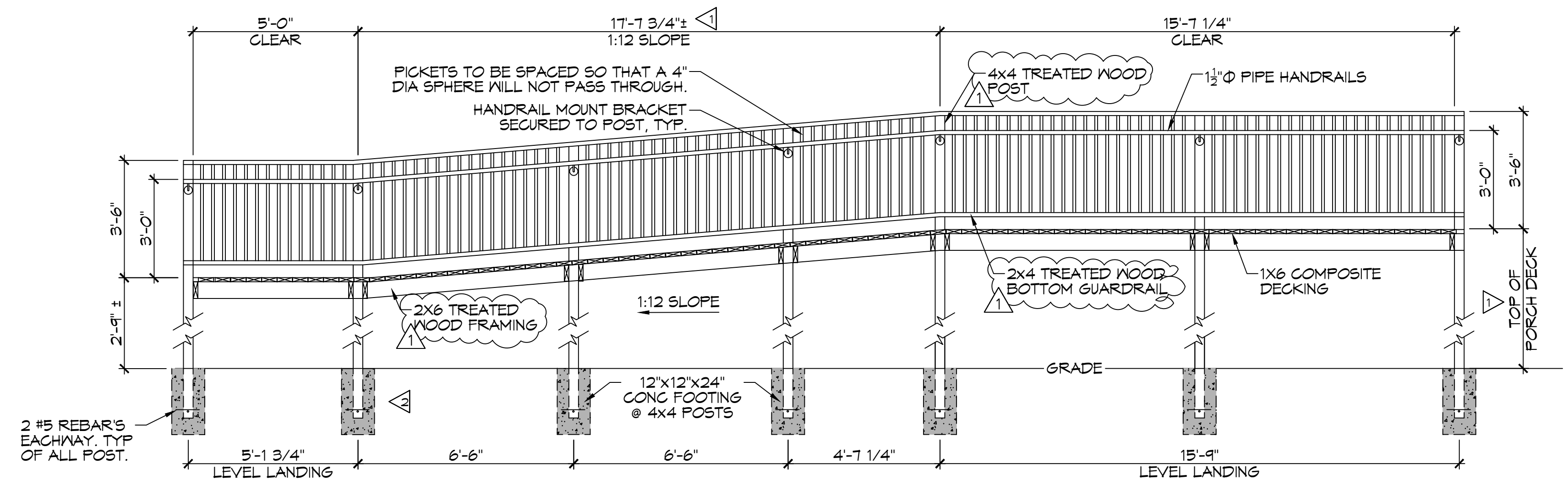
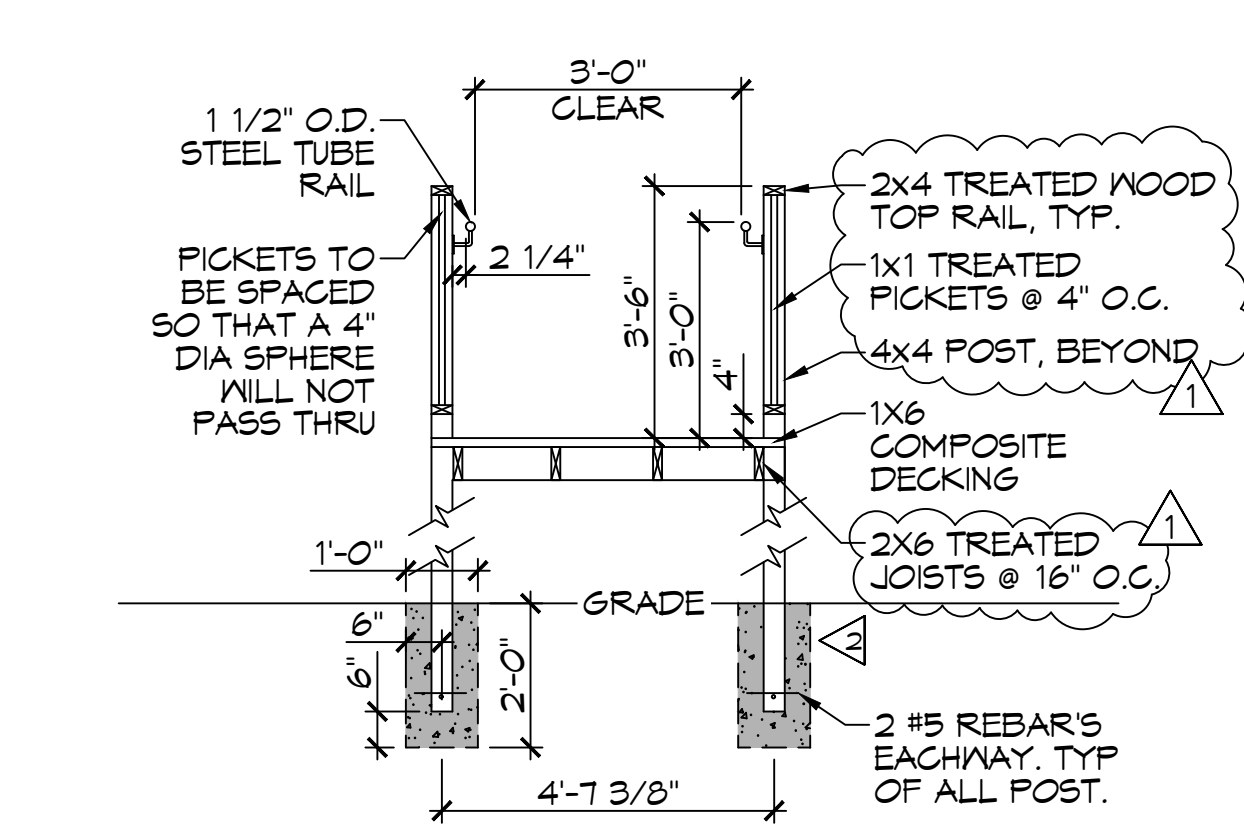
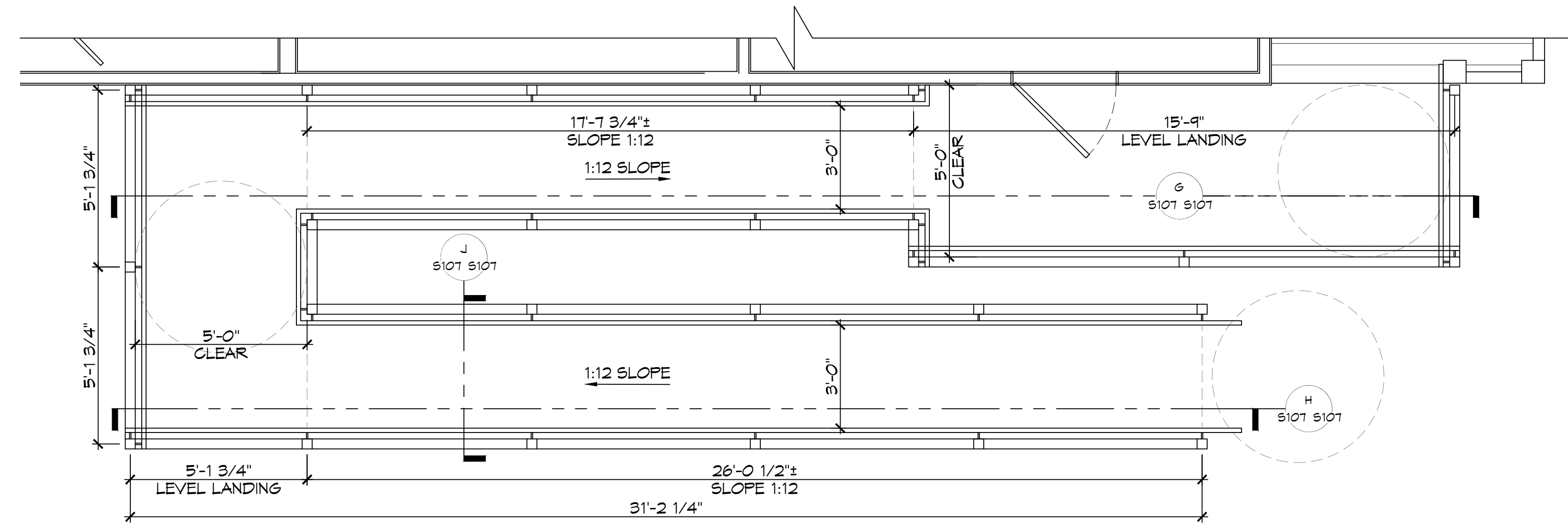


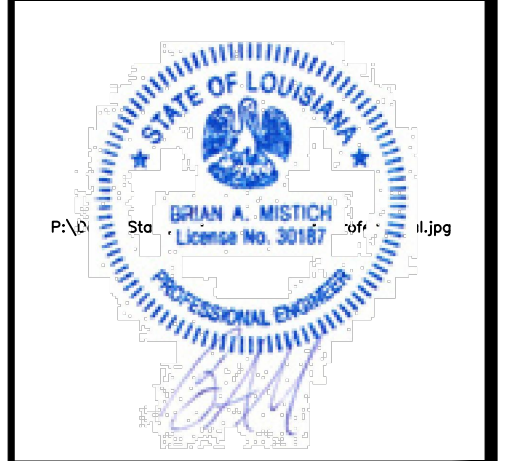
FILE NAME: J:\-Dammon\2456 - Allen Road Fire Station ADA Ramp Deck S107 - ADA Ramp Deck.dwg PLOT DATE: 8/17/2022 PLOT TIME: 11:20:41



- GENERAL NOTES**
- ▲ FIELD VERIFY HEIGHT TO MATCH BUILDING
  - ▲ 4000 PSI CAST IN PLACE CONCRETE FOOTING

**DAMMON ENGINEERING, INC.**  
 LOUISIANA & MISSISSIPPI  
 Chief Engineer: Brian Misticich, PE  
 554 Old Spanish Trail  
 Slidell, LA 70458  
 www.dammonengineering.com  
 info@dammonengineering.com  
 PH: 985.649.8832

REVISIONS	DATE
1 Revisited Treated Lumber For Framing	8/17/2022



ST. TAMMANY FIRE PROTECTION DISTRICT NO. 1  
**FIRE STATION 19**  
 57047 ALLEN ROAD  
 SLIDELL, LOUISIANA 70461  
 JOB No: 2456 DATE: 05-16-2022  
 DRAWN BY: CKD CHECKED BY: BAM

SHEET TITLE:  
 ADA RAMP  
 DRAWING NUMBER:  
**S107**  
 SHEET No: 12 of 30

AS-BUILT  
1-31-24