

AR 14 LED Series



Features and Characteristics

Alumilite designs reliable products produced with the best available materials, and we stand behind them with superior customer service. Please contact us for more information.

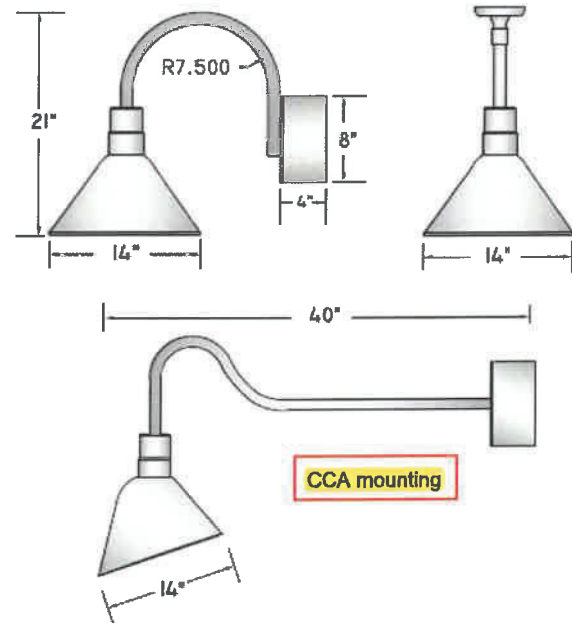
Housing: Spun aluminum shroud is threaded for 3/4" arm bracket. Standard shroud is angled. Optional with a straight shroud "SS".

Enclosure: Clear tempered glass threads into cast aluminum adapter which is mounted to the shroud.

Module/Driver: Cree LED modules are incased in a cast aluminum housing and sealed with diffused dome lens. 9w/850 lm and 12w/1250 lm modules are available in 3000, 3500 and 4000k with a minimum CRI of 90. Drivers have 0-10v dimming and operate on 120 or 277 volts. Drivers are installed in a cast aluminum housing that has a steel plate that bolts directly to the wall or j-box.

Finish: Polyester powder coating on all metal parts. Color to be specified.

Listing: Luminaire is ETL listed for wet locations.



Specifications

Series	Wattage/Lamp	Volts
AR-14	9w/LED = 09/LED	120
AR-14	12w/LED = 12/LED	277

Options	Finish
3000k = 30k	BZ = Bronze to be advised
3500k = 35k	BK = Black
4000k = 40k	WH = White
FG = Frosted Glass	SL = Silver
PG = Prismatic Glass	CC = Custom Color
SS = Straight Shroud	CCA - candy cane arm

Example

12 Watt, LED, 120 Volts, Prismatic Glass, 3500k, Bronze
AR1412/LED-120/PG/35K/BZ

Submitted by Curtis Stout, Inc.



CURTIS STOUT

Job Name:
ST TAMMANY FIREHOUSE 19

Catalog Number:
AR14-12/LED-UV-30K-(FINISH)-PG-
SS-CCA
Notes:

Type:

F8

NOL22-138370

This page intentionally left blank for printing purposes



AR 14 LED Series



Features and Characteristics

Alumilite designs reliable products produced with the best available materials, and we stand behind them with superior customer service. Please contact us for more information.

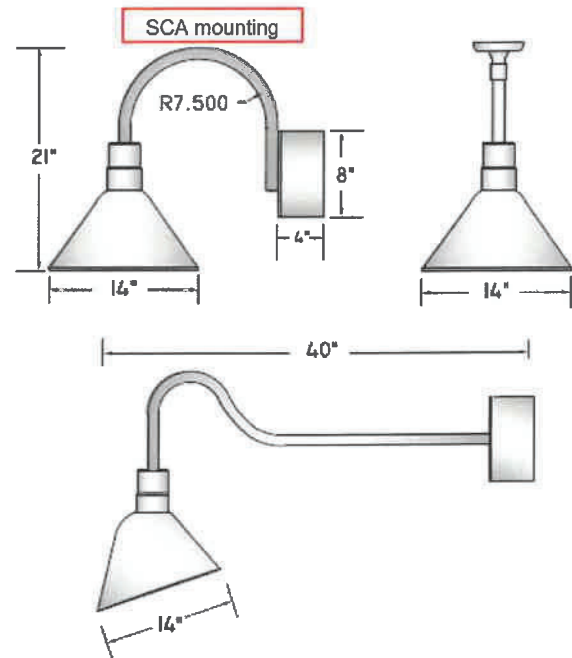
Housing: Spun aluminum shroud is threaded for 3/4" arm bracket. Standard shroud is angled. Optional with a straight shroud "SS".

Enclosure: Clear tempered glass threads into cast aluminum adapter which is mounted to the shroud.

Module/Driver: Cree LED modules are incased in a cast aluminum housing and sealed with diffused dome lens. 9w/850 lm and 12w/1250 lm modules are available in 3000, 3500 and 4000k with a minimum CRI of 90. Drivers have 0-10v dimming and operate on 120 or 277 volts. Drivers are installed in a cast aluminum housing that has a steel plate that bolts directly to the wall or j-box.

Finish: Polyester powder coating on all metal parts. Color to be specified.

Listing: Luminaire is ETL listed for wet locations.



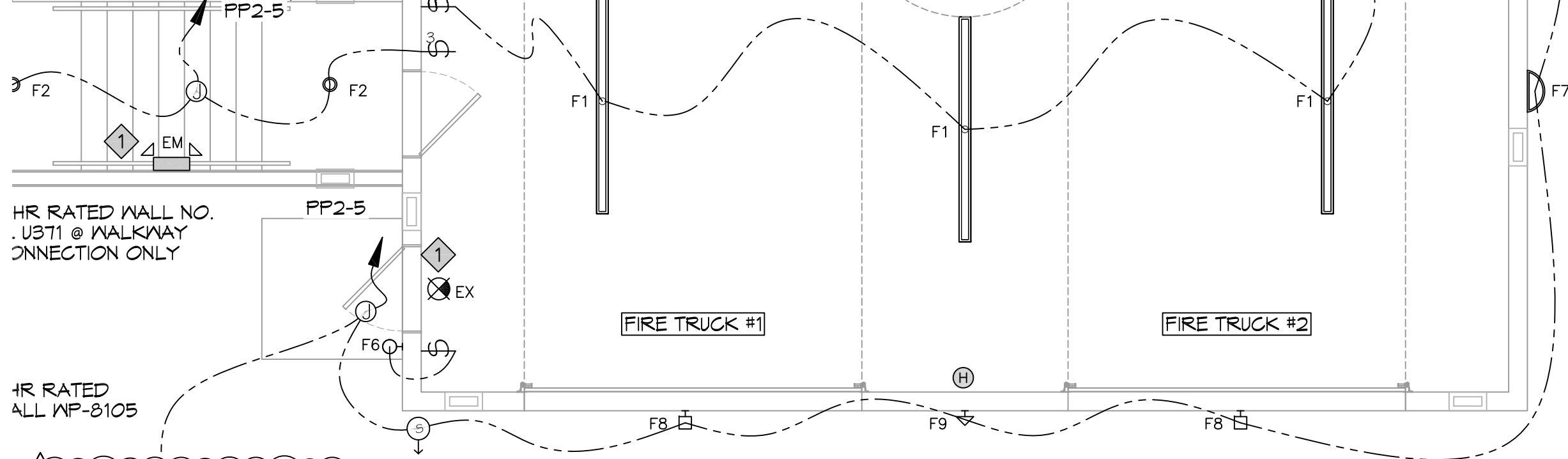
Specifications

Series	Wattage/Lamp	Volts
AR-14	9w/LED = 09/LED	120
AR-14	12w/LED = 12/LED	277

Options	Finish
3000k = 30k	BZ = Bronze to be advised
3500k = 35k	BK = Black
4000k = 40k	WH = White
FG = Frosted Glass	SL = Silver
PG = Prismatic Glass	CC = Custom Color
SS = Straight Shroud	SCA - shepherd's crook arm

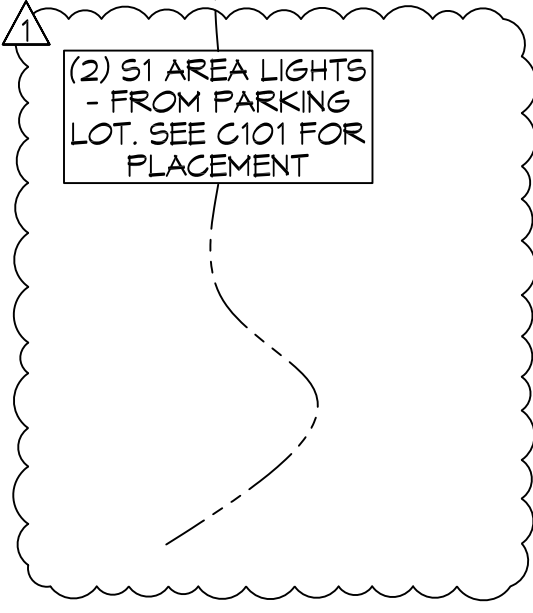
Example

12 Watt, LED, 120 Volts, Prismatic Glass, 3500k, Bronze
AR1412/LED-120/PG/35k/BZ



HR RATED WALL NO. U371 @ WALKWAY CONNECTION ONLY

HR RATED ALL WP-8105



(2) S1 AREA LIGHTS - FROM PARKING LOT. SEE C101 FOR PLACEMENT

LIGHTING SCHEDULE

SYM	QTY	MARK	MFG	PART NUMBER	DESCRIPTION	HEIGHT
	9	F1	ELITE	8-OEC-LED-14000L/16000L/18000L-DIM10-MVOLT-35K/40K/50K-85	8' LED STRIP SELECTABLE	
	52	F2	ELITE	HH6-LED-1200L-DIM10-MVOLT-30K-WD-90/HH6-6501-CL-WH	6" LED DOWNLIGHT 1200LUMENS 90CRI 30K	9' AFF
	4	F3	ELITE	4-OEC-LED-5000L-DIM10-MVOLT-40K-85	4' LED STRIP 5000L 40K	9' AFF
	3	F4	ELITE	ECH-BL-LED-1003-3	24" VANITY LED LIGHT	9' AFF
	6	F5	ELITE	ECH-PL-1025	12" PENDANT	
	4	F6	LIGHT ALARMS	CAMACSDDDB-CNP	LED EXT WALL LIGHT - EGRESS	9' AFF
	6	F7	ORION LIGHTING	LSNF1-A1(3000LUMENS)-UNV-FD-8CS(30K)XX-BB-SP	LED WALLPACK 3000 LUMENS 30K BATTERY BACKUP	7' AFF
	2	F8	ALUMILITE	AR14-12/LED-UV-30K-XX-PG-SS-CCA	14" RLM 12W LED STRAIGHT SHROUD 30K PRISMATIC GLASS WET	14'
	1	F9	ALUMILITE	AR14-12/LED-UV-30K-XX-PG-SCA	14" RLM 12W LED ANGLED SHROUD 30K PRISMATIC GLASS WET	17'
	3	CF1	MINKA AIRE	MINKA AIRE F546-B5	42" 5 BLADE INDOOR CEILING FAN	
	1	CF2	BIG ASS FANS	BIG ASS FAN POWERFOIL 8-08	8' DIAMETER INDUSTRIAL FAN	
	7	EX	ELITE	ELX-603 -R-W	LED EXIT	
	9	EM	ELITE	ELM-LED-803-W	LED EMG LIGHT W/BATTERY BACKUP	
	2	S1	ORION LIGHTING	IAHP1-A1-UNV-FD-730-XX-T4-TS2-5P	AREA LIGHT TYPE IV, 30K, 76W 13000 LUMENS ON 16' SQUARE STRAIGHT STEEL POLE. SEE SIGHT PLAN FOR PLACEMENT	

- DIMMER. DIMMER WATTS, LUT ARE GANGED. SHALL ALSO FLUORESCENCE BE LUTRON
- 10. WHERE TO BE DIMMING TO COMPATIBLE
- 11. WHERE TO BE DIMMED WITH THE FI
- 12. ALL EM HAVE 90 MIN TEST BUTT
- 13. ALL FLUORESCENCE SHALL BE F
- 14. PROVIDE DETECTION INSTALL ALL OF THE ST

	PRO HOT MINU
	LIC
\$	LIGH SWIT
\$ ^R	RHE LIGH
\$ ³	3-W SWIT
(S)	SMC DET