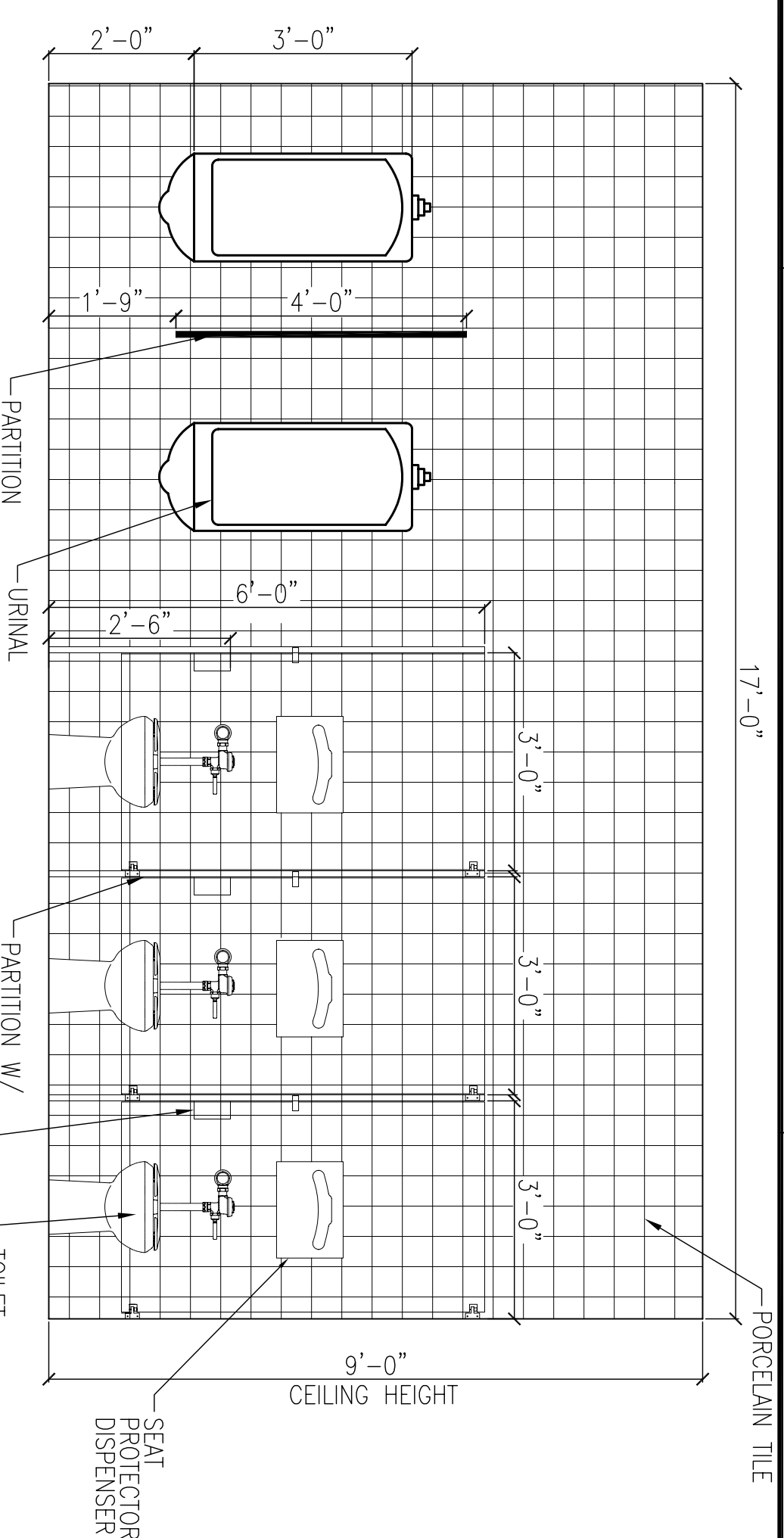
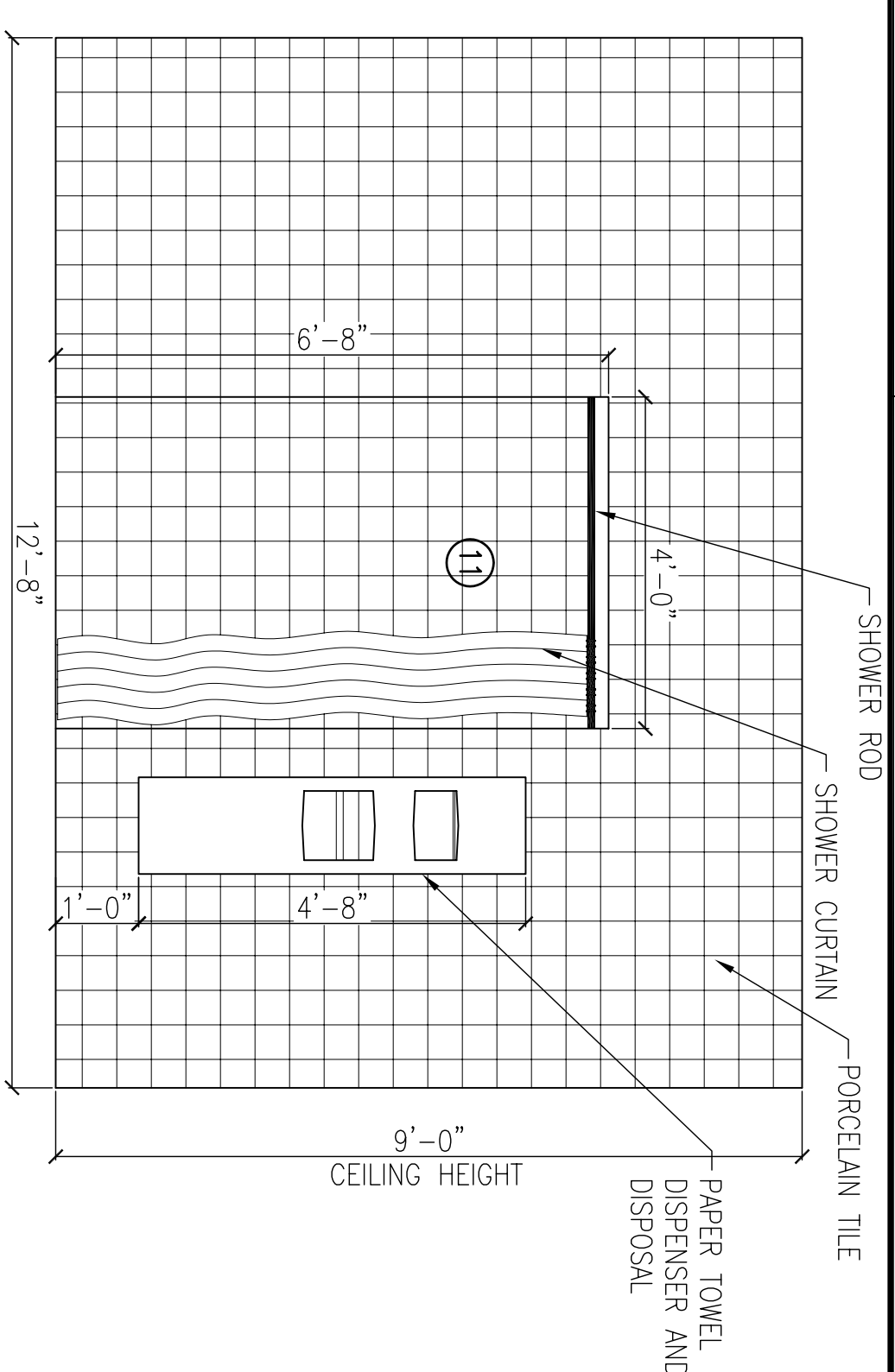


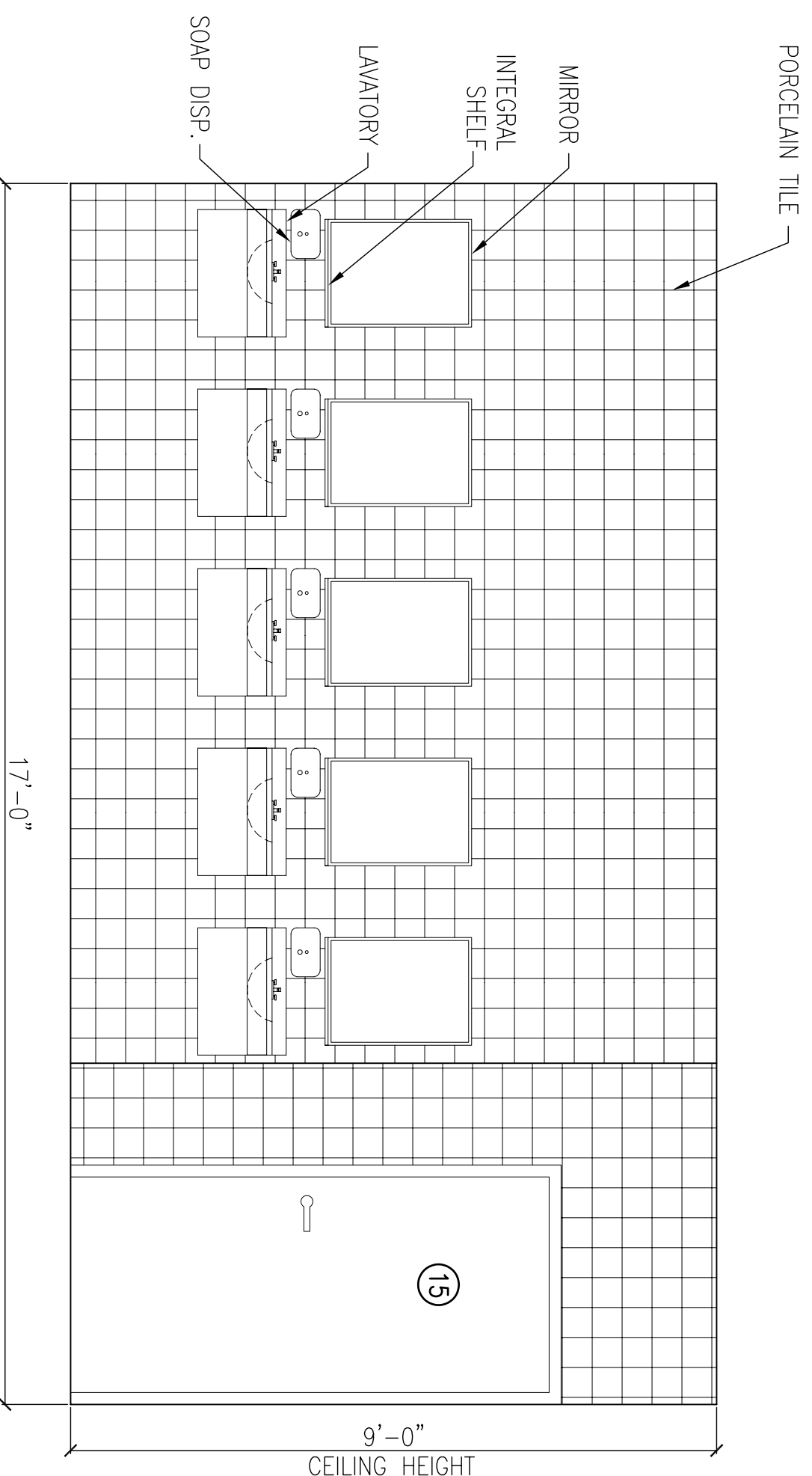
ROOM 112 INTERIOR ELEVATION 25
1/2" = 1'-0"
A1.12



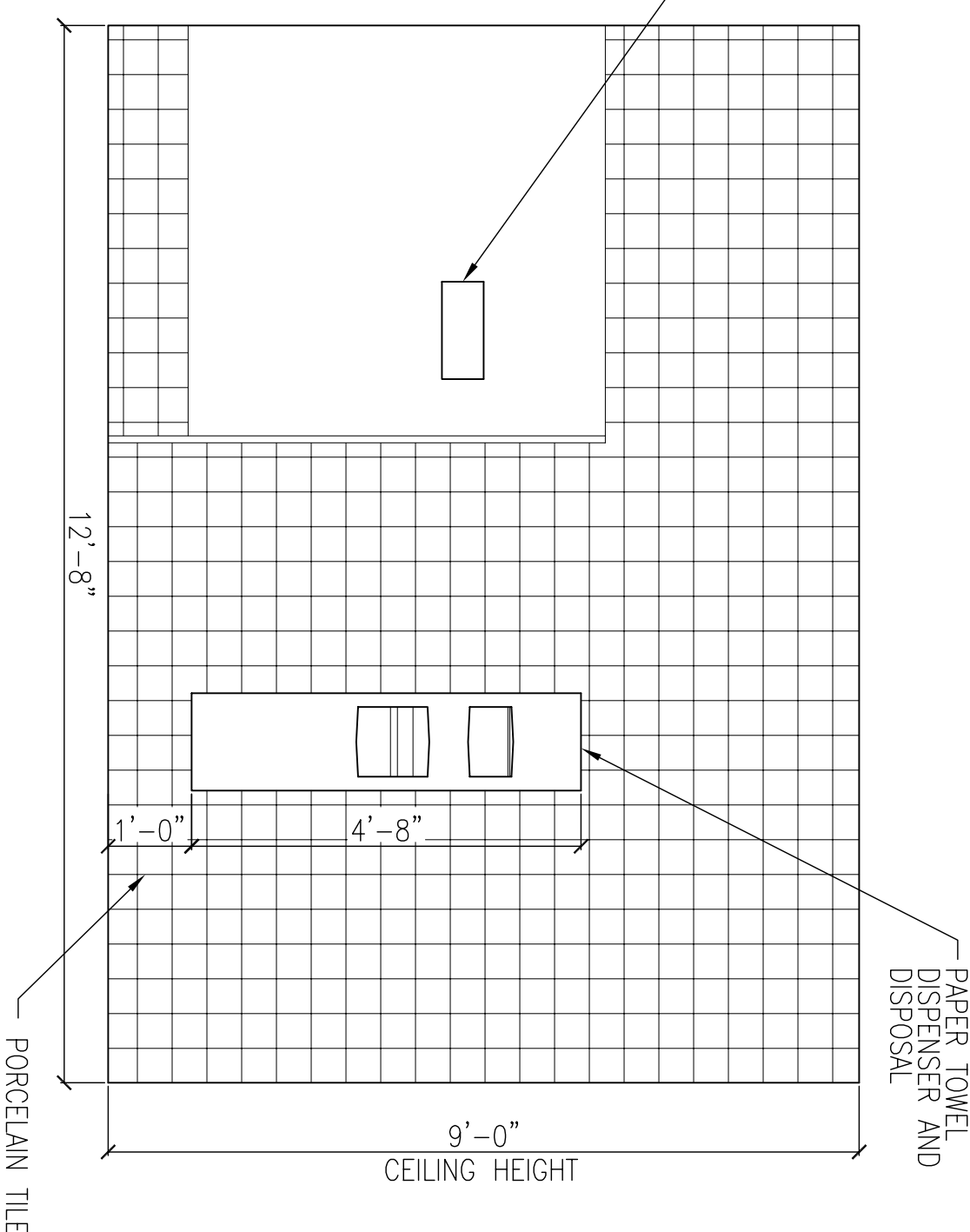
ROOM 111 INTERIOR ELEVATION 26
1/2" = 1'-0"
A1.12



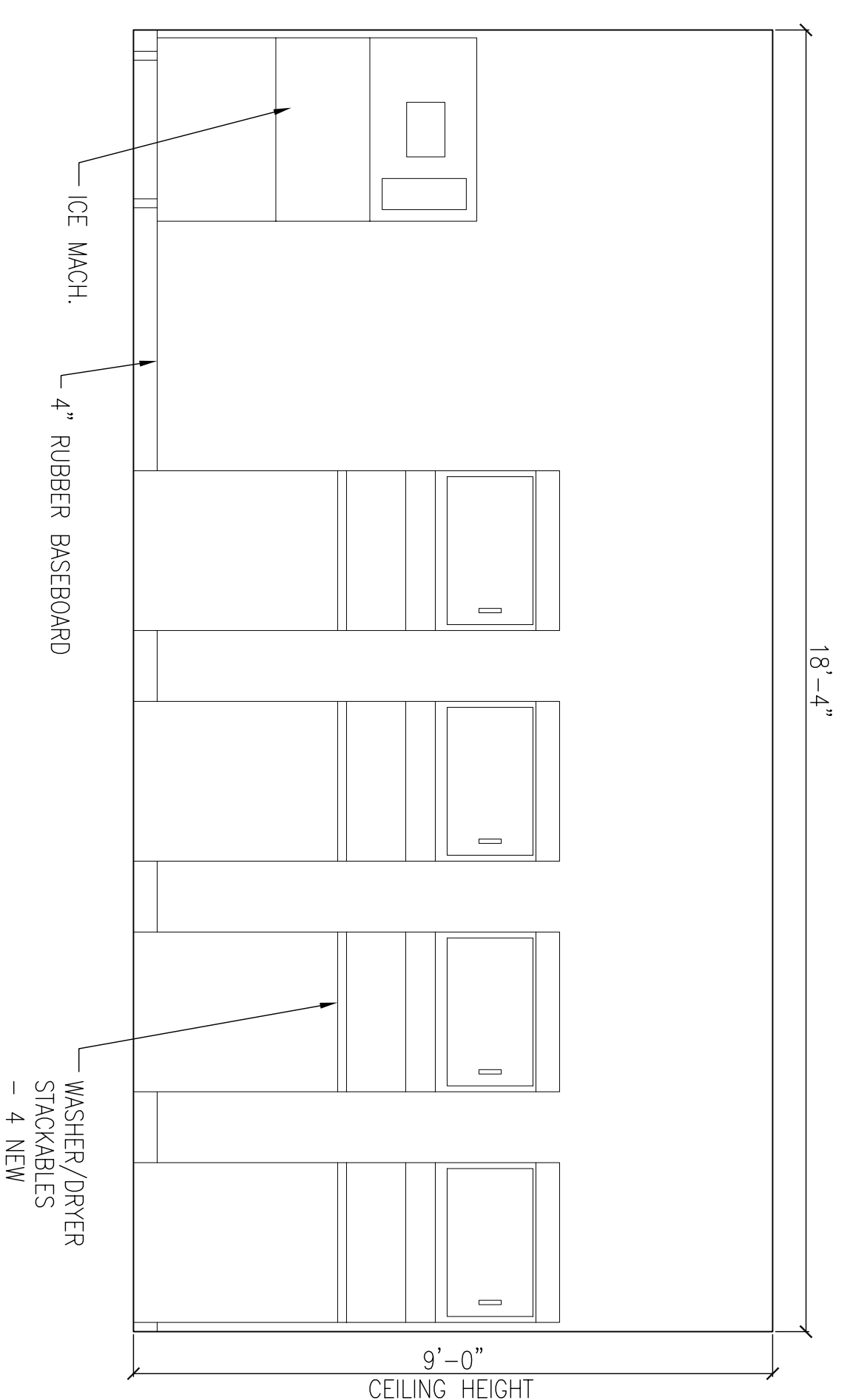
ROOM 112 INTERIOR ELEVATION 27
1/2" = 1'-0"
A1.12



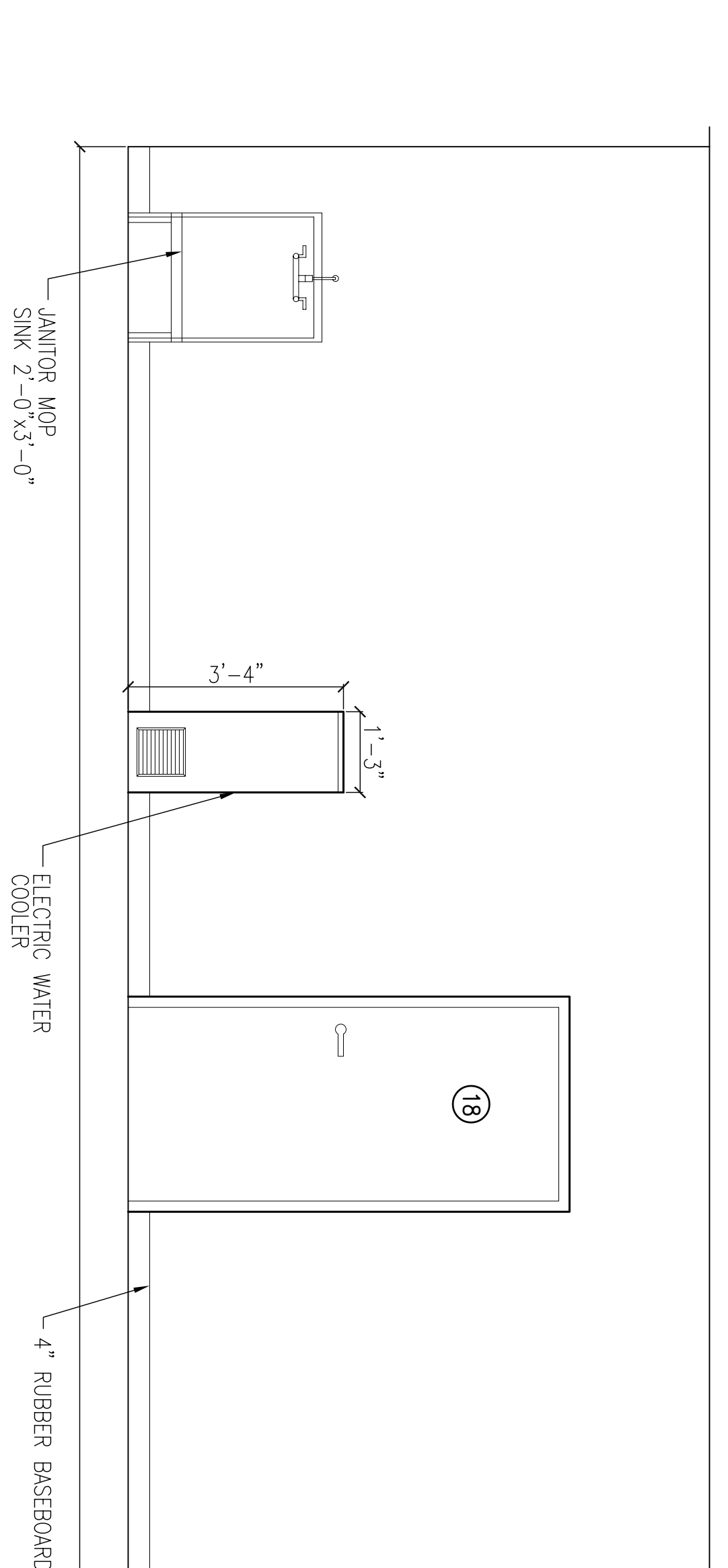
ROOM 111 INTERIOR ELEVATION 28
1/2" = 1'-0"
A1.12



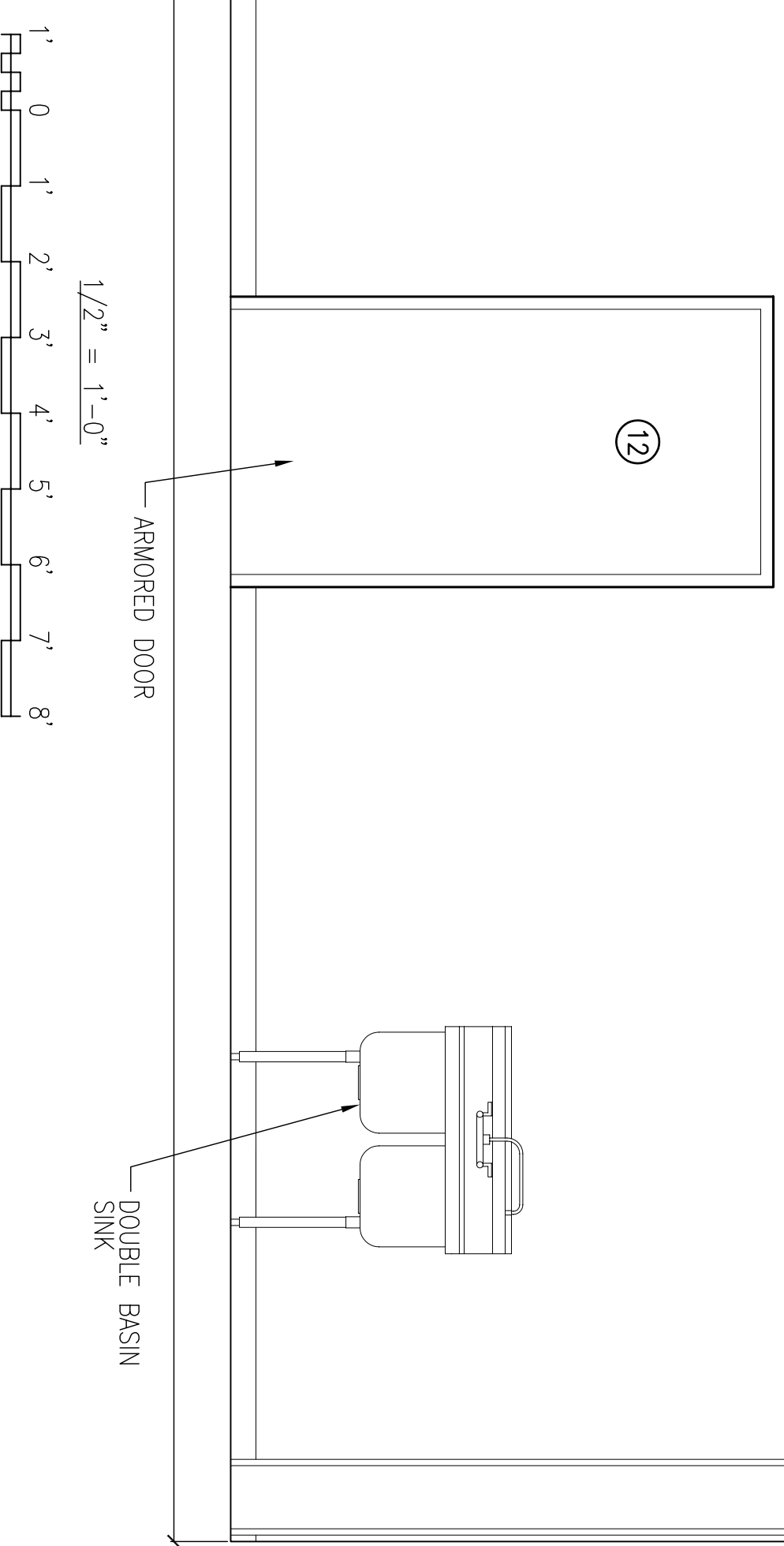
ROOM 111 INTERIOR ELEVATION 29
1/2" = 1'-0"
A1.12



ROOM 105 INTERIOR ELEVATION 8
1/2" = 1'-0"
A1.1



BLDG 2441 INTERIOR ELEVATION 9
1/2" = 1'-0"
A1.1



BLDG 2441 INTERIOR ELEVATION 10
1/2" = 1'-0"
A1.1

REVDATE:

1

2

3

4

5

1

2

3

4

5

SYM	DESCRIPTION	DATE	APPR



DAMMON ENGINEERING, INC.
REGISTERED PROFESSIONAL ENGINEER
STATE OF MISSISSIPPI
NO. 15, 2026
10/15/2026
CHIEF ENGINEER: P. DAMMON
SIBOLLA, LA 70452
(985) 649-4832

EMMETT B. DAMMON JR.
REGISTERED PROFESSIONAL ENGINEER
STATE OF MISSISSIPPI
NO. 9932
10/15/2026
REGISTERED PROFESSIONAL ENGINEER
STATE OF MISSISSIPPI
NO. 9932
10/15/2026

DES. R. WATSE
DRAW. J. THOMAS
CHECKED BY: R. WATSE
P. DAMMON
CHIEF ENGINEER: P. DAMMON

DEPARTMENT OF THE NAVY
NAVAL FACILITIES ENGINEERING COMMAND
NAVAL FACILITIES ENGINEERING COMMAND SOUTHEAST
NAVAL AIR STATION JACKSONVILLE
IPT SOUTH ATLANTIC
MISSISSIPPI
JOHN C. STENNIS SPACE CENTER
SOF RIVERINE AND COMBATANT CRAFT OPERATIONS FACILITY - PRE-FINAL
BLDG. 2440/2441 INTERIOR ELEVATIONS

CODE ID. NO. N4412 SIZE D
SCALE: AS SHOWN
DRAWING NO. #####
SPL. PROJ. NO. P-210
WORK ORDER NO. 510247
CONSTR. CONTR. NO. N62467-05-0-0096
NAVFAC DRAWING NO. #####
SHEET 40 OF 113
A1.16

A

B

C

D