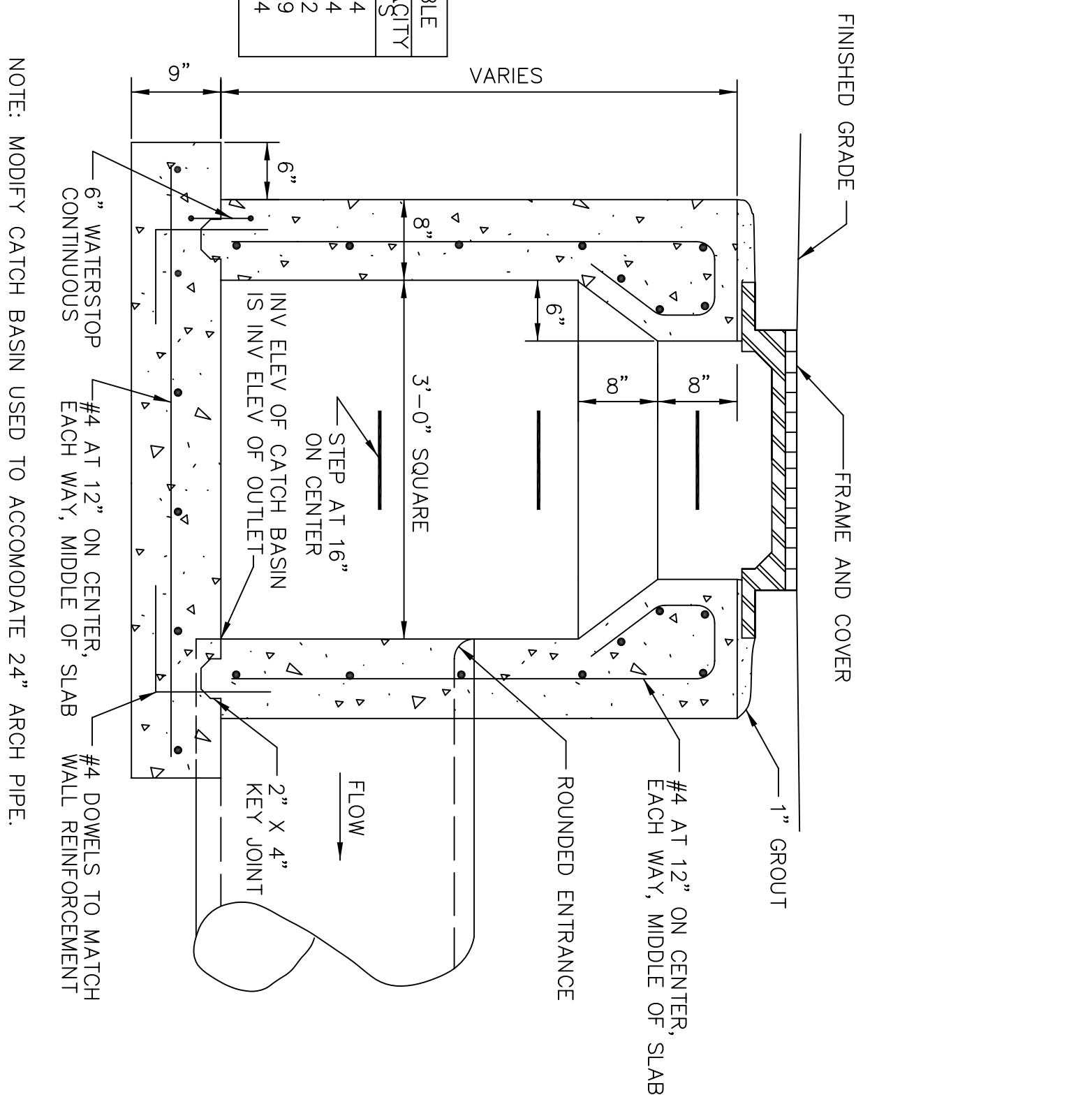
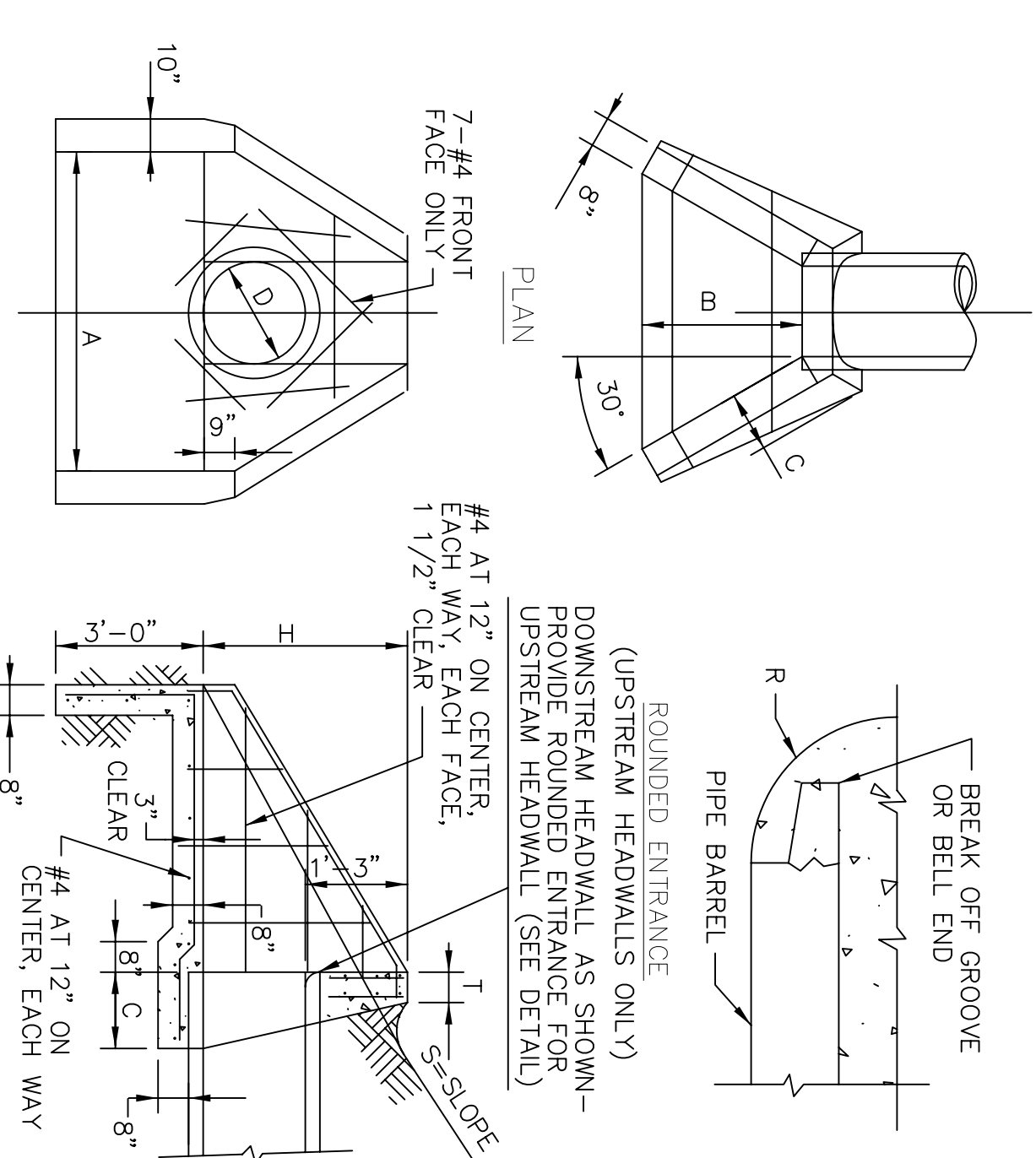


CAPACITY TABLE	HEAD	CAPACITY
	0.2	2.4
	0.4	3.4
	0.6	4.2
	0.8	4.9
	1.0	5.4



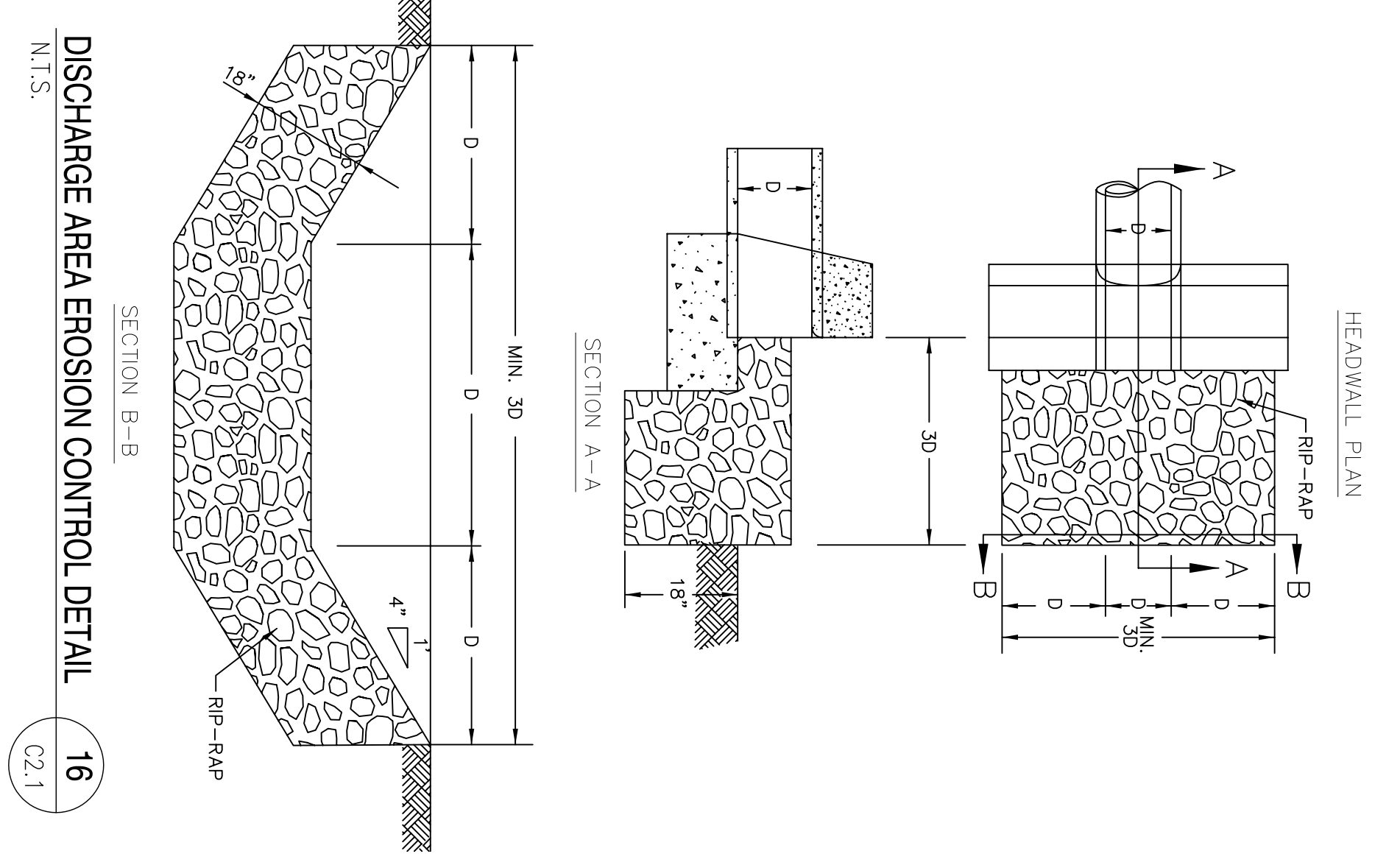
14  
CATCH BASIN DETAIL  
N.T.S. (21" TO 27" PIPE)  
C2.1



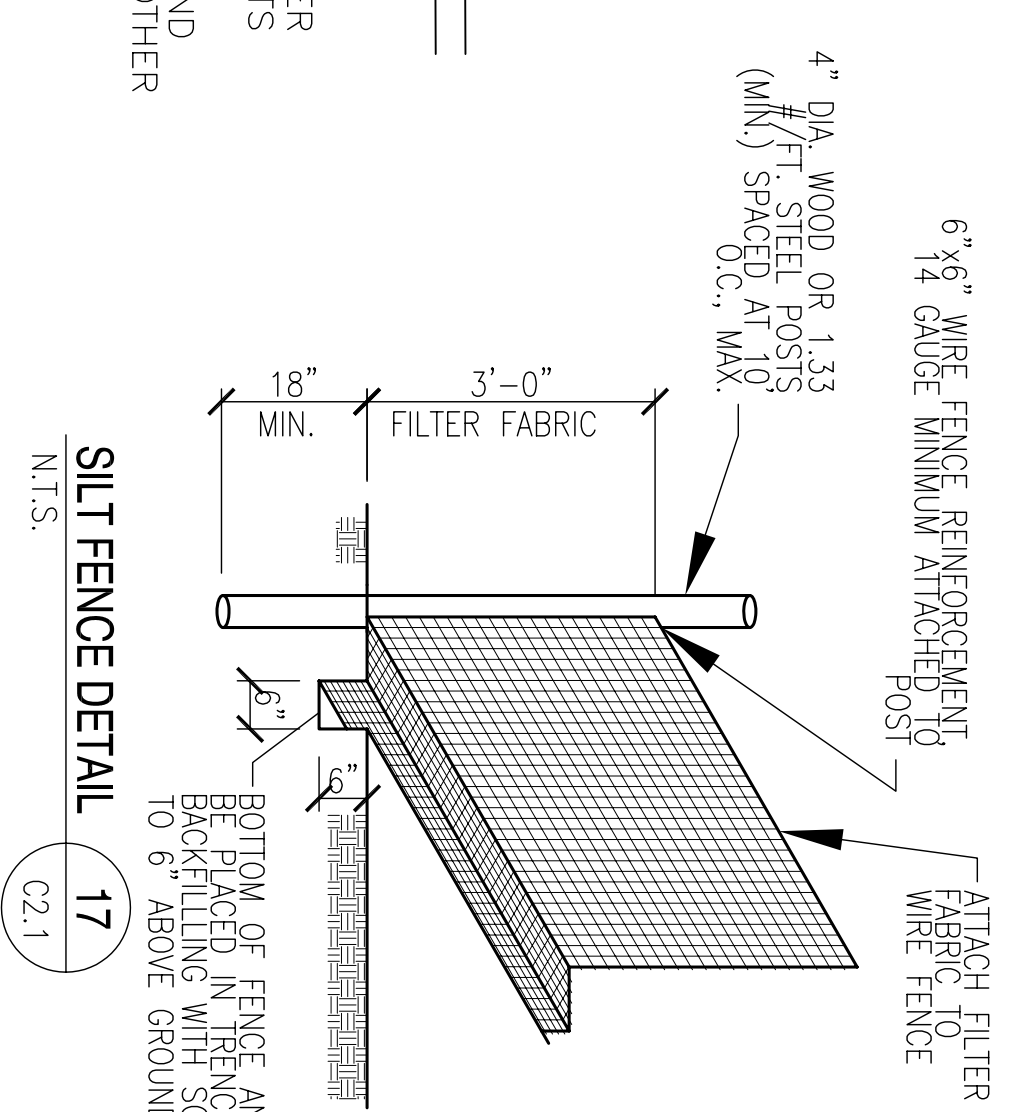
15  
CONCRETE HEADWALL (TYPE "B")  
N.T.S. (21" TO 27" PIPE)  
C2.1

T = 8" FOR DOWNSTREAM HEADWALLS; R + 6" FOR UPSTREAM HEADWALLS

ALL SLOPES	S=1	1/2:1	S=2:1	S=3:1
D	2.4	3.1	3.8	4.5
H	3.1	4.0	4.9	5.8
G	1.2	1.6	2.0	2.4
R	5.0	6.7	8.4	10.1
A	6.4	8.5	10.6	12.7
B	3.9	5.2	6.5	7.8
A	7.1	9.5	11.9	14.3
B	4.2	5.6	7.0	8.4
A	11.4	15.2	19.0	22.8
B	6.9	9.2	11.5	13.8
A	17.9	23.6	29.3	35.0
B	10.5	13.9	17.3	20.7
A	37.8	49.7	61.6	73.5
B	22.9	30.5	38.1	45.7
A	102.9	136.8	170.7	204.6
B	61.5	81.0	100.5	120.0

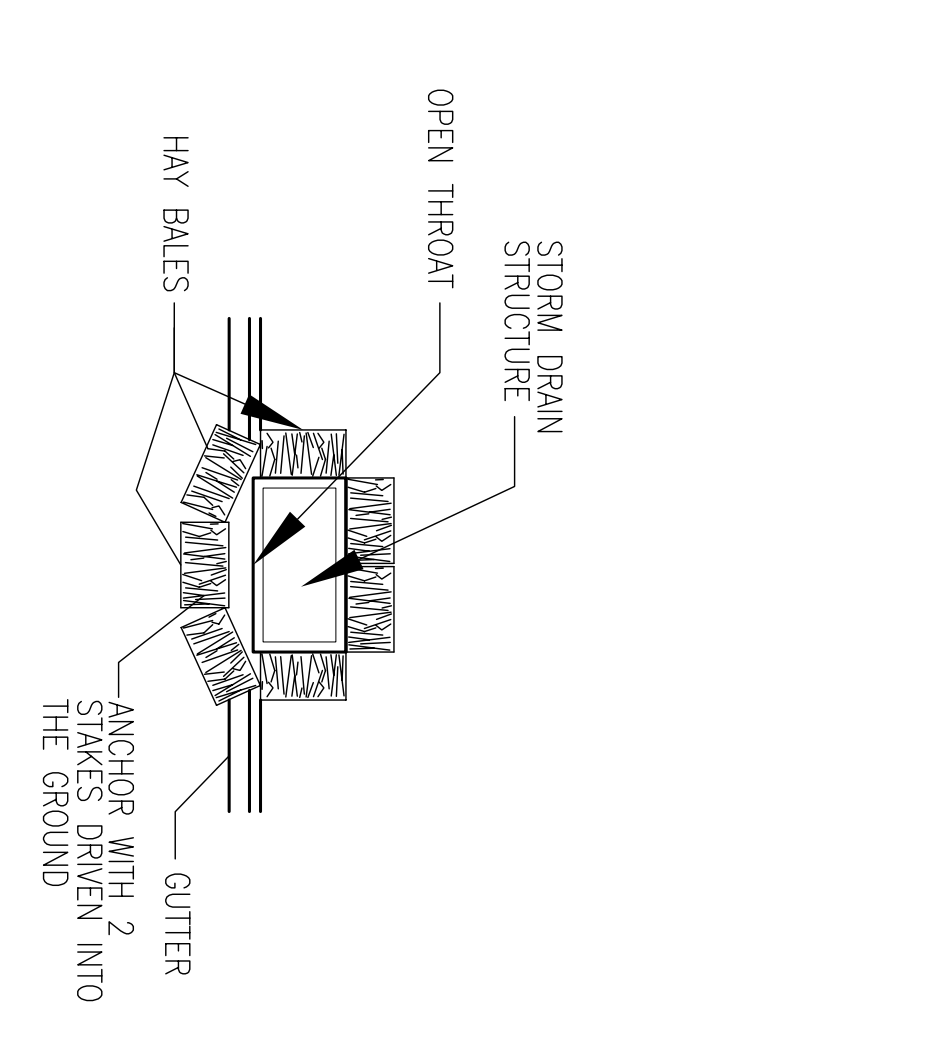


16  
DISCHARGE AREA EROSION CONTROL DETAIL  
N.T.S. (21" TO 27" PIPE)  
C2.1



17  
SILT FENCE DETAIL  
N.T.S. (21" TO 27" PIPE)  
C2.1

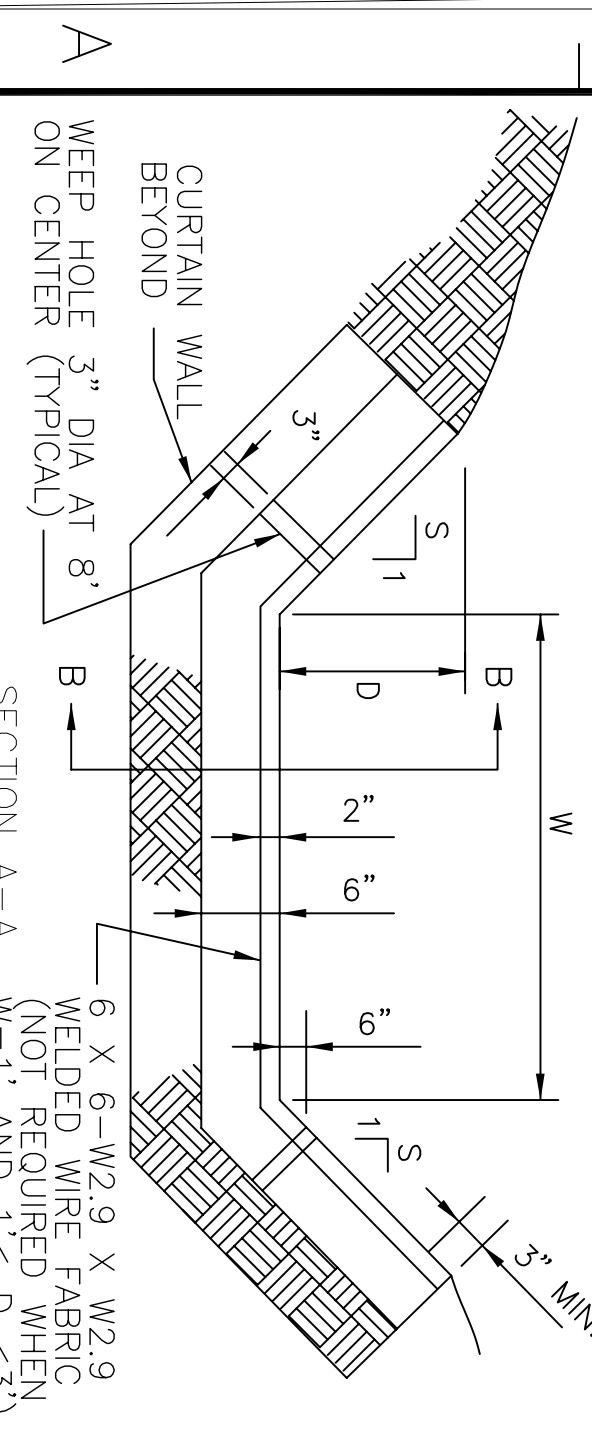
- NOTES:
1. SILT FENCE SHOULD BE INSPECTED AFTER EACH RAINFALL AND SEDIMENT DEPOSITS MUST BE REMOVED WHEN THEY REACH 1/4 HEIGHT OF FENCE.
  2. REMOVE WHEN GRASS IS ESTABLISHED.



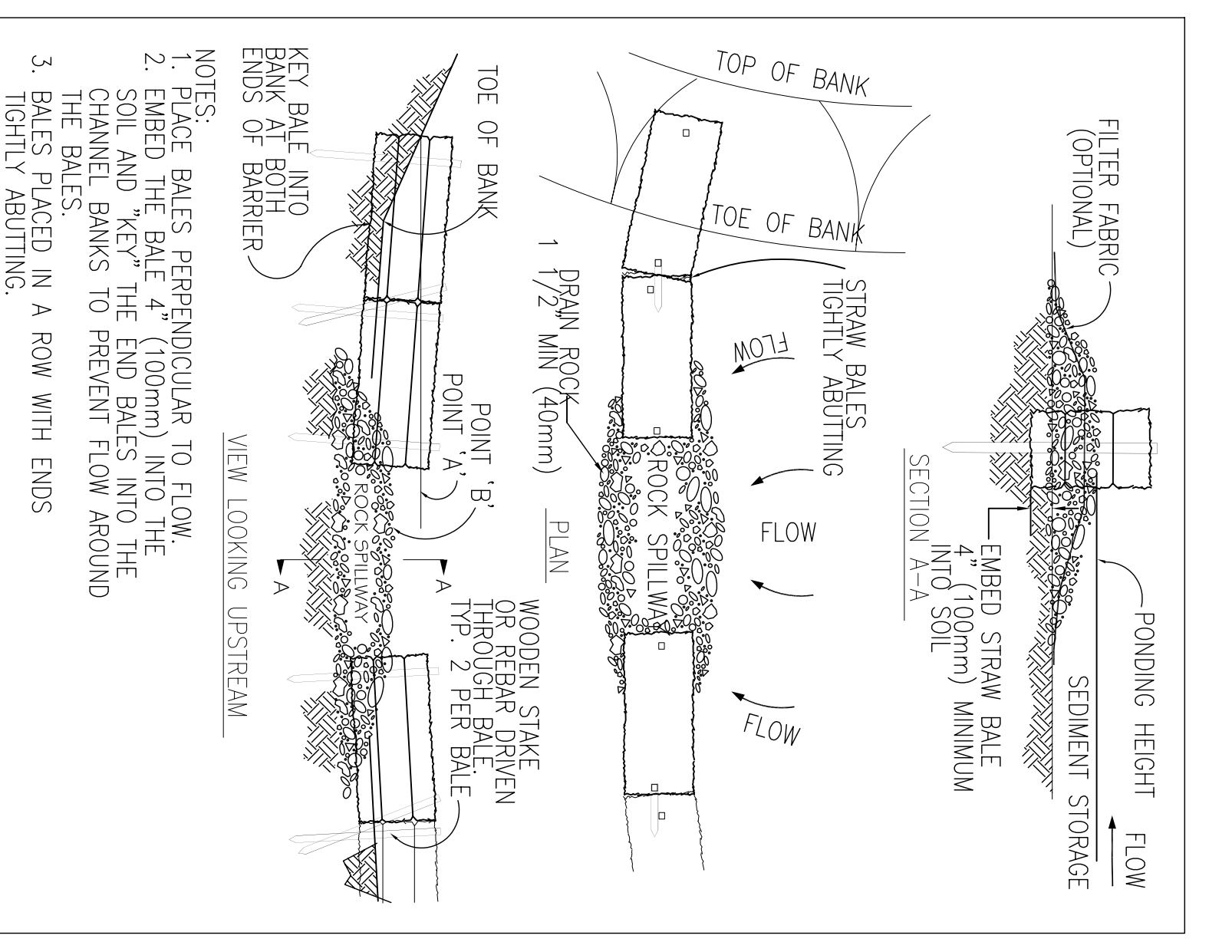
18  
HAY BALE DETAIL  
N.T.S. (21" TO 27" PIPE)  
C2.1

METHOD FOR SILT FENCE INSTALLATION

- 1) THE BASE OF BOTH END POSTS MUST BE AT LEAST 2'-4" ABOVE THE TOP OF THE SILT FENCE FABRIC ON THE MIDDLE POSTS FOR DITCH CHECKS TO DRAIN PROPERLY. USE A HAND LEVEL OR STRING LEVEL. IF NECESSARY, TO MARK BASE POINTS BEFORE INSTALLATION.
- 2) INSTALL POSTS 3-4 FEET APART IN CRITICAL WATER RETENTION AREAS AND 6-7 FEET APART ON STANDARD APPLICATIONS.
- 3) INSTALL POSTS 24" DEEP ON THE DOWNSTREAM SIDE OF THE SILT FENCE, AND AS CLOSE AS POSSIBLE TO THE FABRIC, ENABLING POSTS TO SUPPORT THE FABRIC FROM UPSTREAM WATER PRESSURE.
- 4) INSTALL POSTS WITH THE NIPPLES FACING AWAY FROM THE SILT FENCE FABRIC.
- 5) ATTACH THE FABRIC TO EACH POST WITH THREE TIES. ALL SPACED WITHIN THE TOP 8" OF THE FABRIC. ATTACH EACH TIE DIAGONALLY 45° THROUGH THE FABRIC, WITH EACH PUNCTURE AT LEAST 1" VERTICALLY APART. ADDITIONALLY, EACH TIE SHOULD BE POSITIONED TO HANG ON A POST NIPPLE WHEN TIGHTENED TO PREVENT SAGGING.
- 6) WRAP APPROXIMATELY 6" OF FABRIC AROUND THE END POSTS AND SECURE WITH 3 TIES.
- 7) NO MORE THAN 24" OF A 36" FABRIC IS ALLOWED ABOVE GROUND LEVEL.
- 8) THE INSTALLATION SHOULD BE CHECKED AND CORRECTED FOR ANY DEVIATIONS BEFORE COMPACTION. USE A FLAT-BLADED SHOVEL TO TUCK FABRIC DEEPER INTO THE SILT IF NECESSARY.
- 9) COMPACTING IS VITALLY IMPORTANT FOR EFFECTIVE RESULTS. COMPACT THE SOIL IMMEDIATELY NEXT TO THE SILT FENCE FABRIC WITH THE FRONT WHEEL OF THE TRACTOR. SKID STEER, OR ROLLER EXERCISING AT LEAST 60 PSI OF PRESSURE. COMPACT THE UPSTREAM SIDE FIRST, AND THEN EACH SIDE TWICE FOR A TOTAL OF FOUR TRIPS.



B  
PAVED DITCH SECTION  
N.T.S. (21" TO 27" PIPE)  
C2.1



19  
SEMI-PERVIOUS STRAW BALE SEDIMENT BARRIER  
N.T.S. (21" TO 27" PIPE)  
C2.1

- NOTES:
1. PLACE BALES PERPENDICULAR TO FLOW.
  2. EMBED THE BALE 4" (100mm) INTO THE SOIL AND "KEY" THE END BALES INTO THE CHANNEL BANKS TO PREVENT FLOW AROUND THE BALES.
  3. BALES PLACED IN A ROW WITH ENDS TIGHTLY ABUTTING.
  4. POINT 'A' SHALL BE HIGHER THAN POINT 'B'.
  5. SPILLWAY HEIGHT SHALL NOT EXCEED 24" (0.6m).