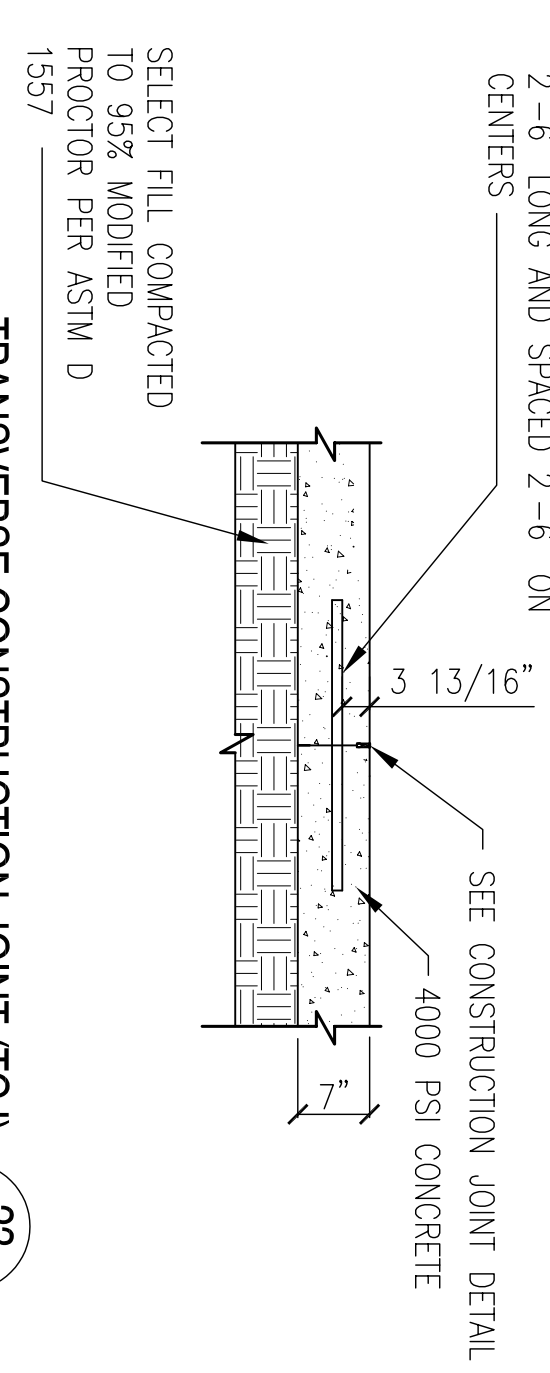
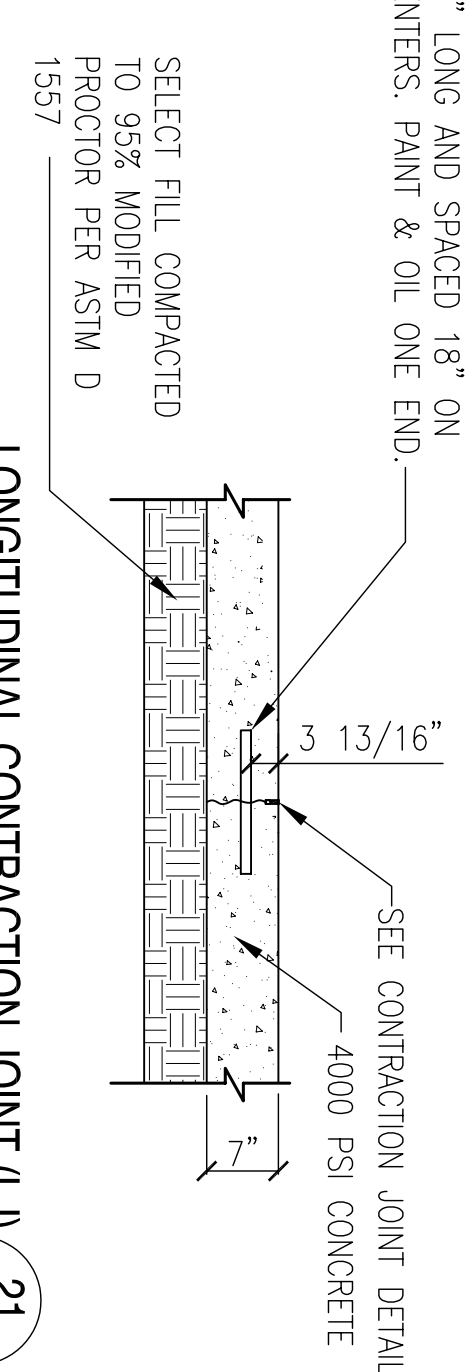


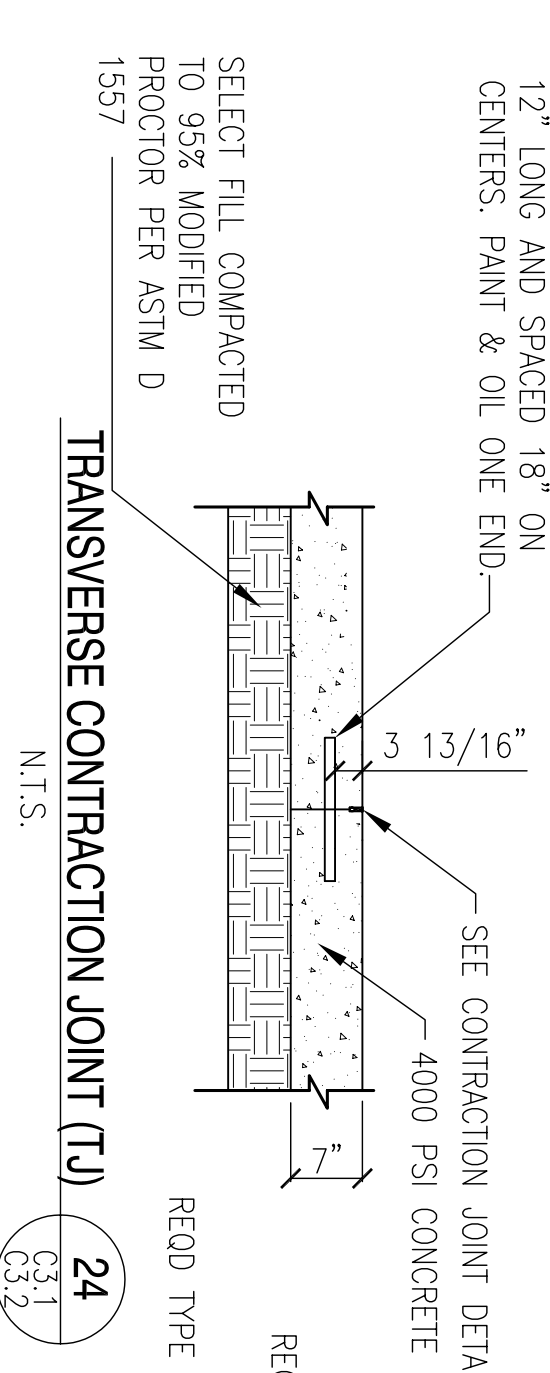
LONGITUDINAL CONSTRUCTION JOINT (LCJ) 20  
N.T.S. C3.1 C3.2



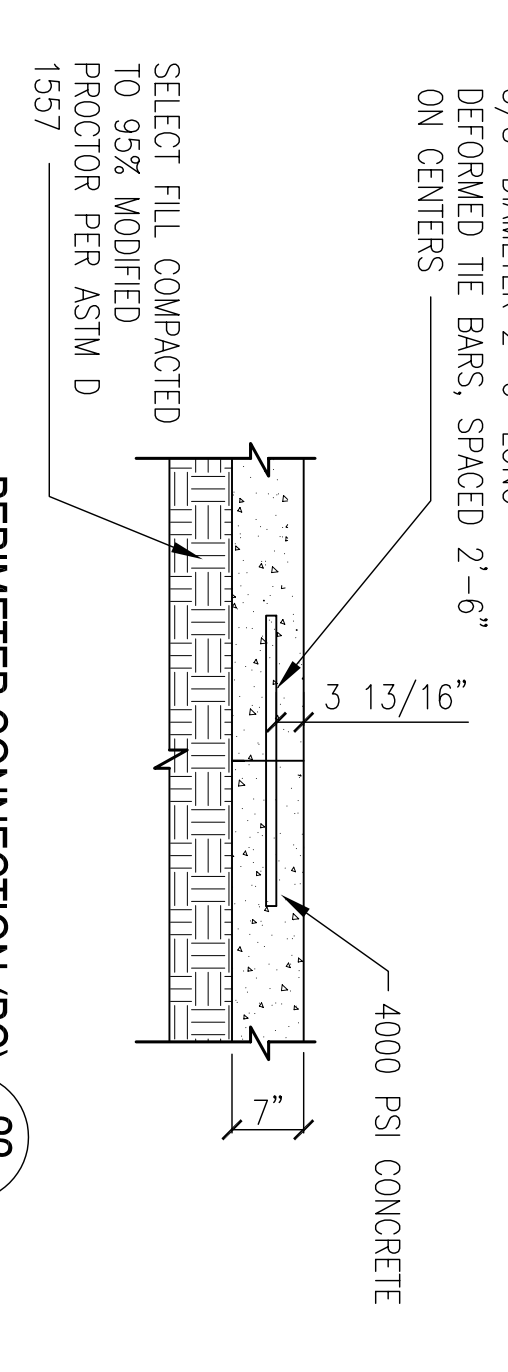
TRANSVERSE CONSTRUCTION JOINT (TCJ) 23  
N.T.S. C3.1 C3.2



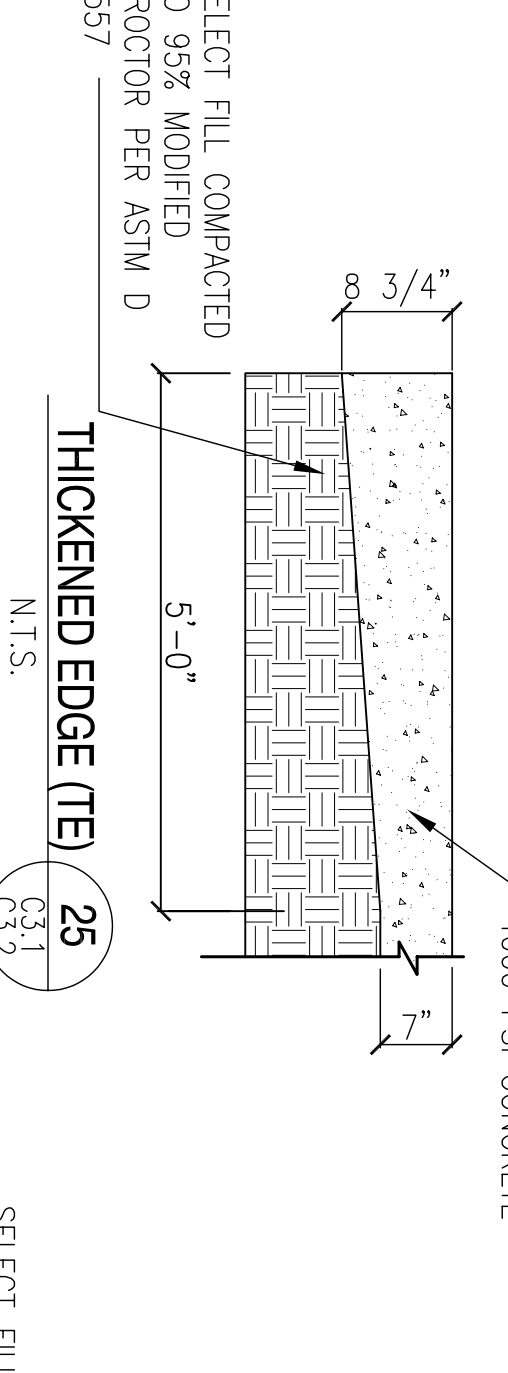
LONGITUDINAL CONTRACTION JOINT (LJ) 21  
N.T.S. C3.1 C3.2



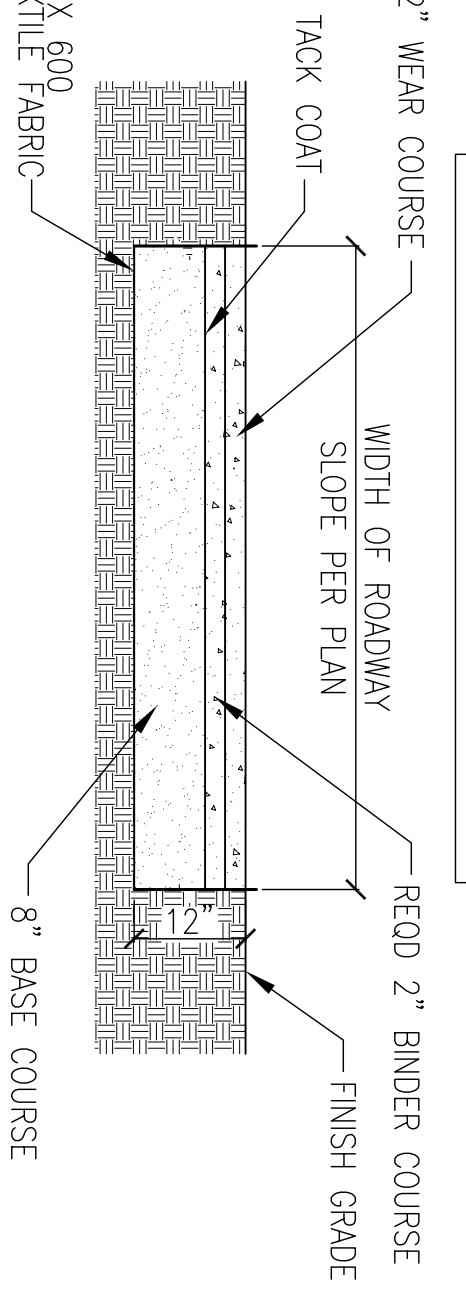
TRANSVERSE CONTRACTION JOINT (TJ) 24  
N.T.S. C3.1 C3.2



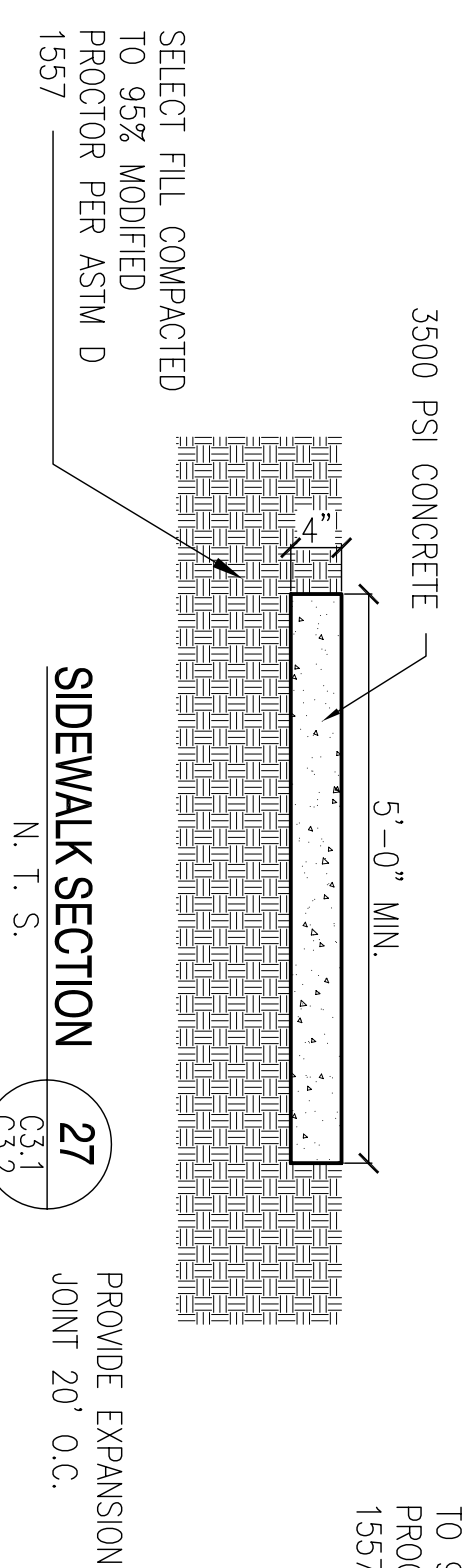
PERIMETER CONNECTION (PC) 22  
N.T.S. C3.1 C3.2



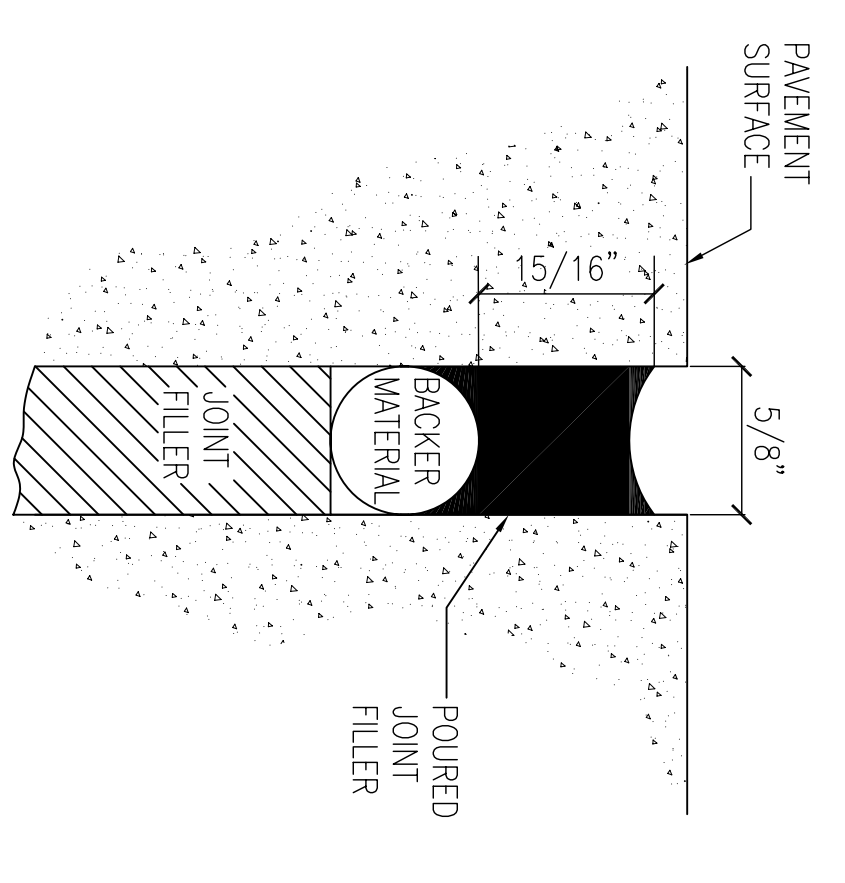
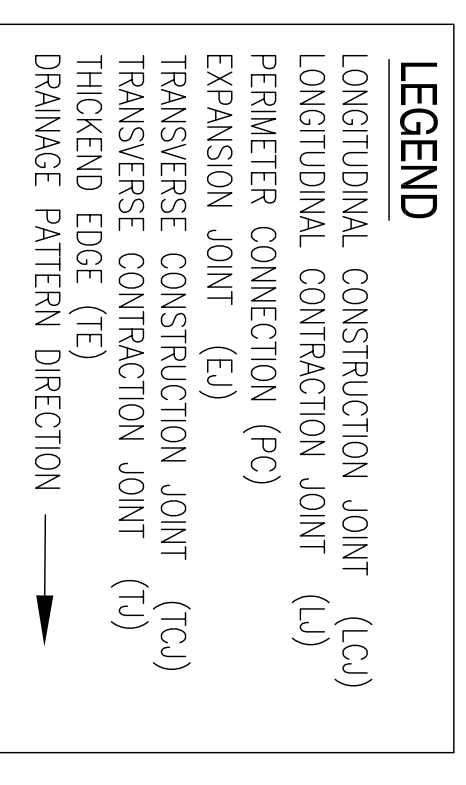
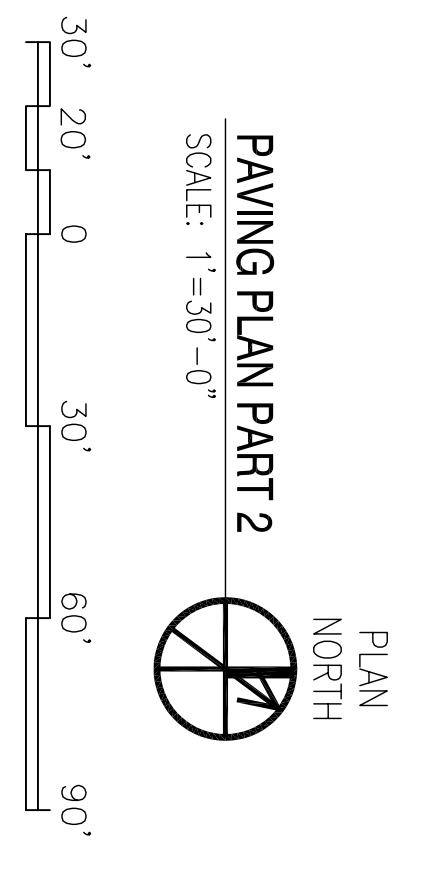
THICKENED EDGE (TE) 25  
N.T.S. C3.1 C3.2



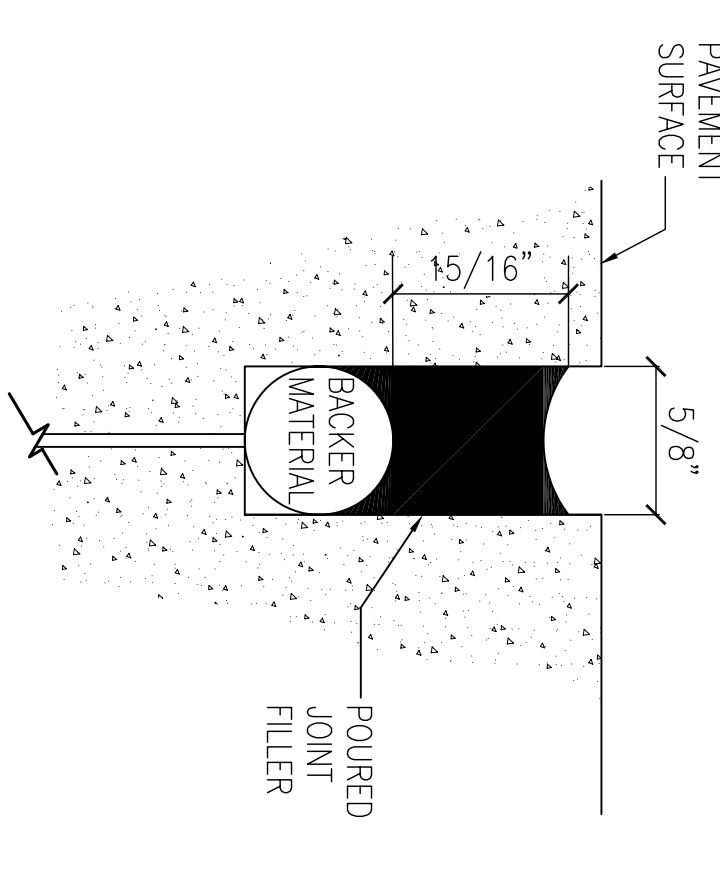
ASPHALT ROADWAY PAVEMENT SECTION 26  
N.T.S. C3.1 C3.2



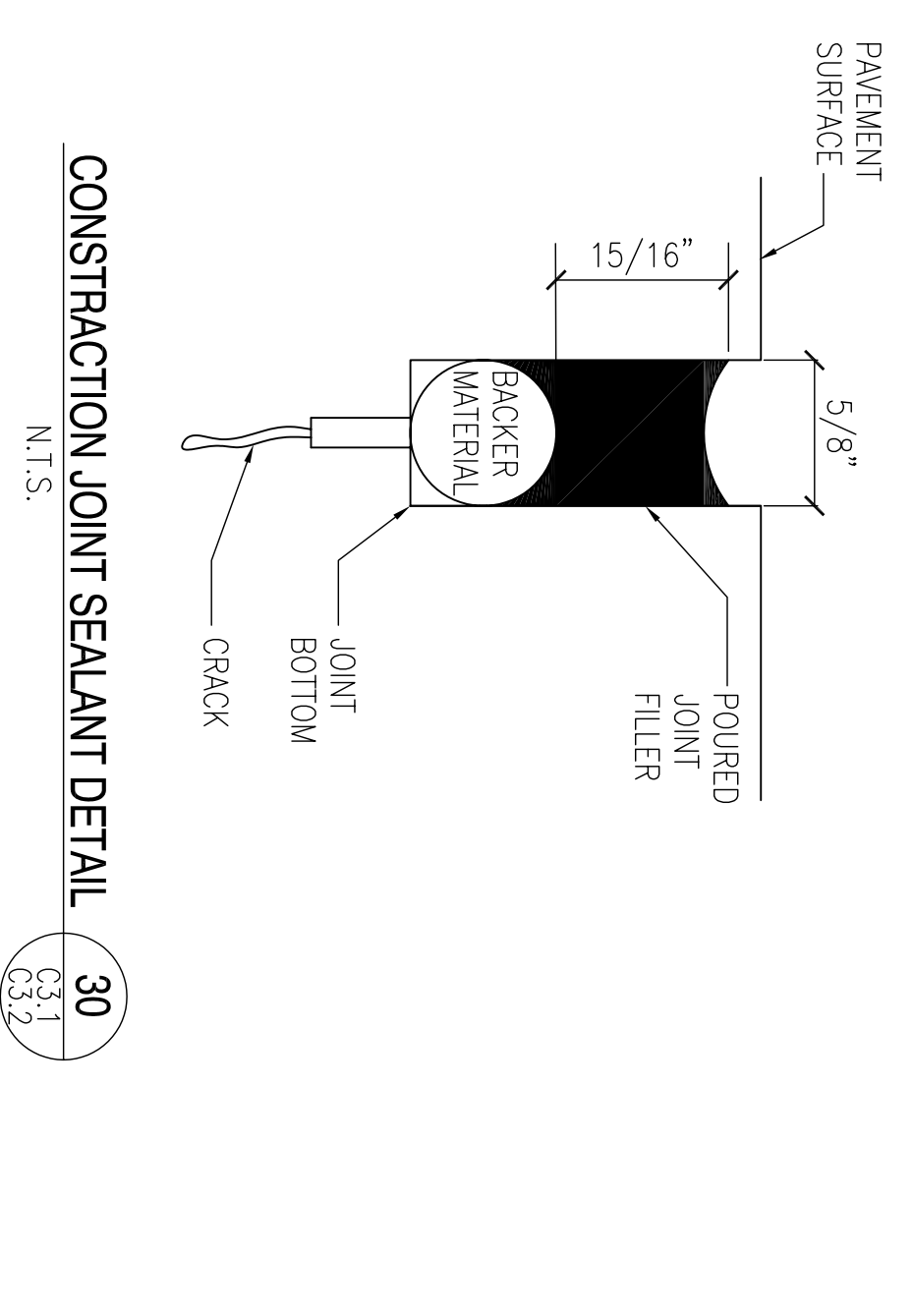
SIDEWALK SECTION 27  
N.T.S. C3.1 C3.2



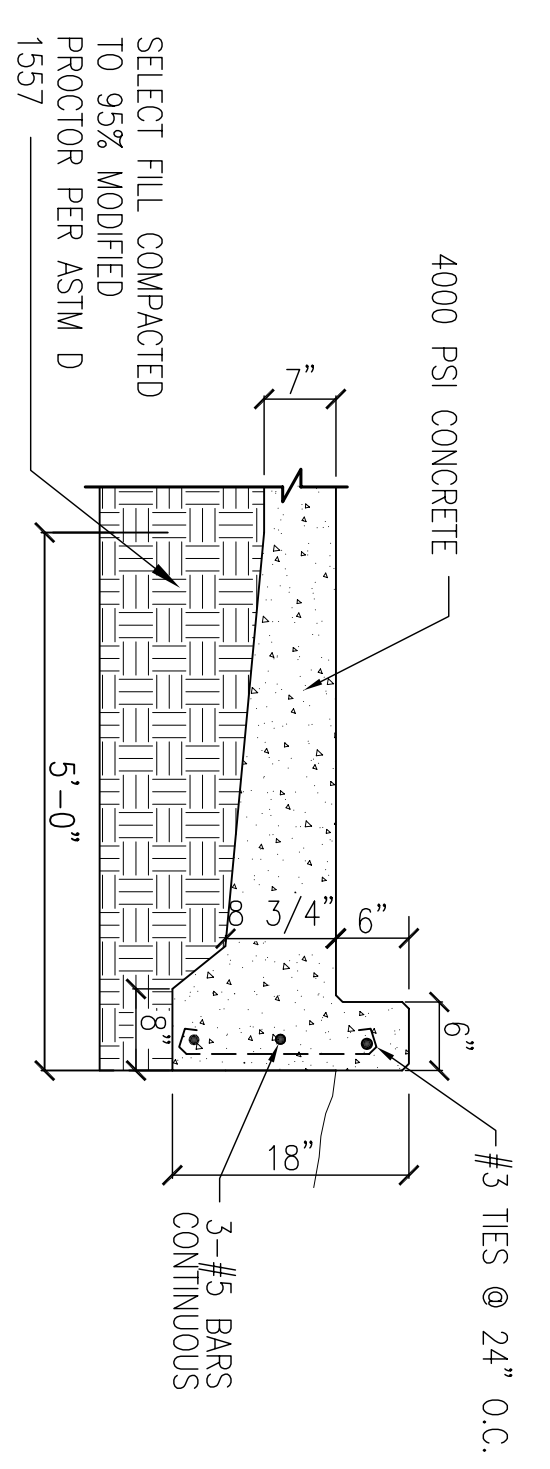
EXPANSION JOINT SEALANT DETAIL (EJ) 28  
N.T.S. C3.1 C3.2



CONSTRUCTION JOINT SEALANT DETAIL 29  
N.T.S. C3.1 C3.2



CONSTRUCTION JOINT SEALANT DETAIL 30  
N.T.S. C3.1 C3.2



CURB DETAIL 31  
N.T.S. C3.1 C3.2

SYM	DESCRIPTION	DATE	APPR

**DAMMON ENGINEERING, INC.**  
REGISTERED PROFESSIONAL ENGINEER  
DAMMON & COMPANY ARCHITECTS  
SCHOOL LA 70082  
(985) 649-8832  
MAY 19, 2009

**EMMETT B. DAMMON, JR.**  
REGISTERED PROFESSIONAL ENGINEER  
NO. 10000  
EXPIRES 12/31/2011

DESIGNER: C. DAMMON  
CHECKED BY: R. WILSON  
PROJECT: PAVING PLAN PART 2  
CLIENT: NAVFAC

DEPARTMENT OF THE NAVY  
NAVAL FACILITIES ENGINEERING COMMAND  
NAVAL FACILITIES ENGINEERING COMMAND SOUTHEAST  
NAVAL AIR STATION JACKSONVILLE  
MISSISSIPPI

JOHN C. STENNIS SPACE CENTER  
SOF RIVERINE AND COMBATANT CRAFT OPERATIONS FACILITY - PRE-FINAL

SCALE: AS SHOWN  
SHEET NO.: P-210  
WORK ORDER NO.: 510247  
CONSTR. CONTR. NO.: N62467-05-D-0096  
NAVFAC DRAWING NO.: N62467-05-D-113  
DATE: 18 OCT 11

**NAVFAC**

REVISIONS:  
NO. 18 OF 113

C32

REVDATE: