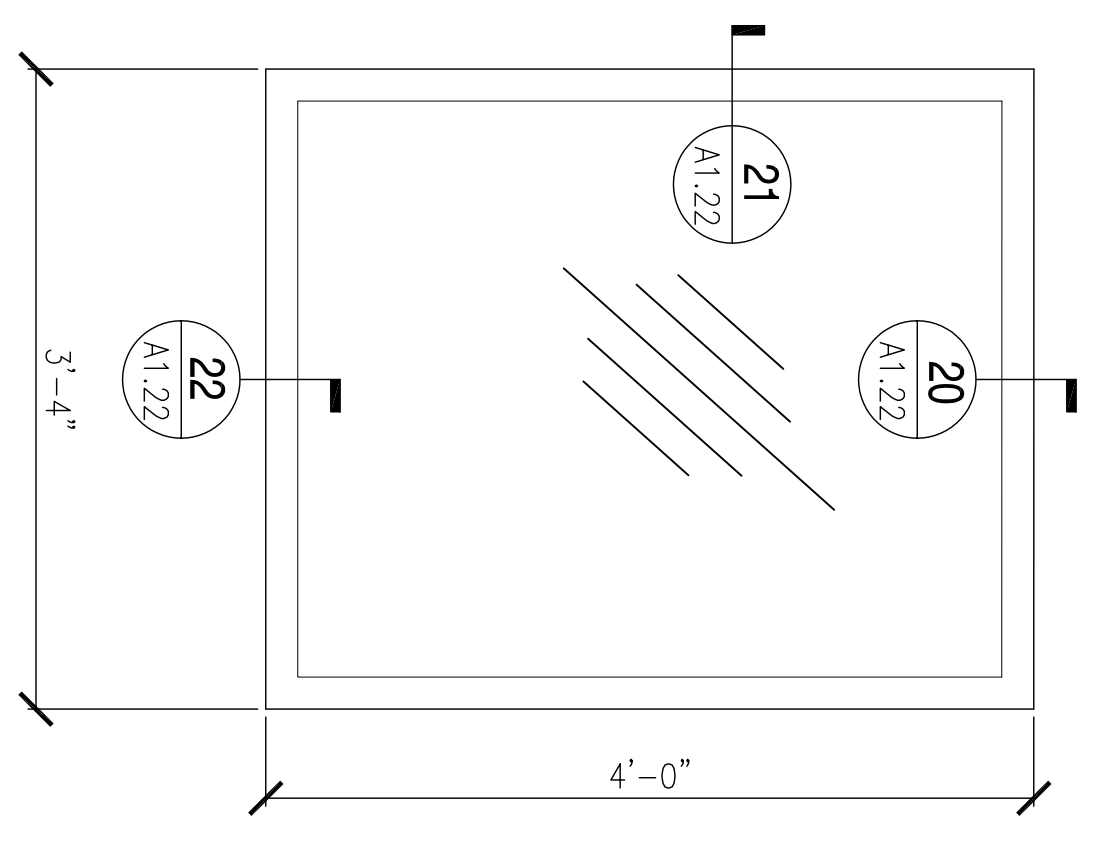
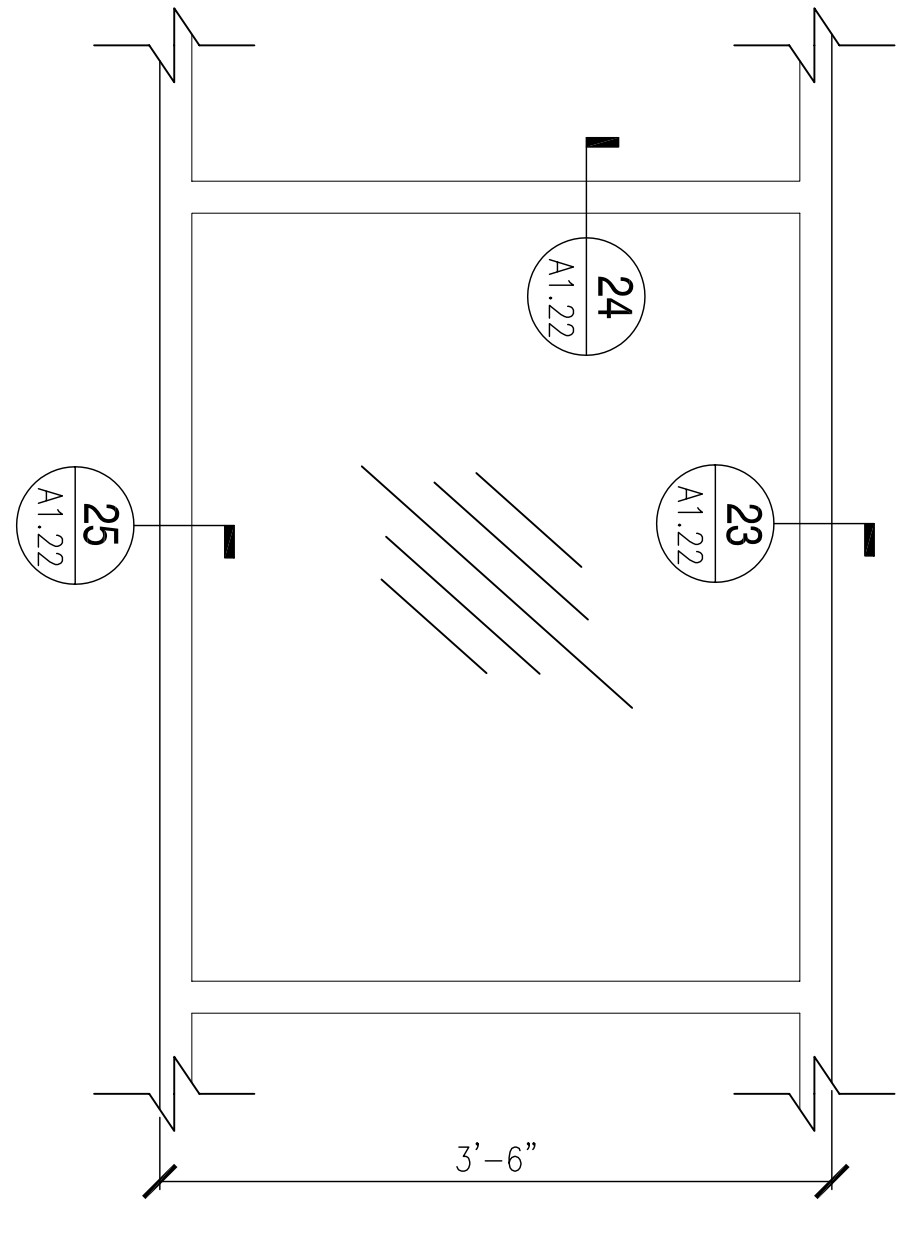


REVDATE: _____

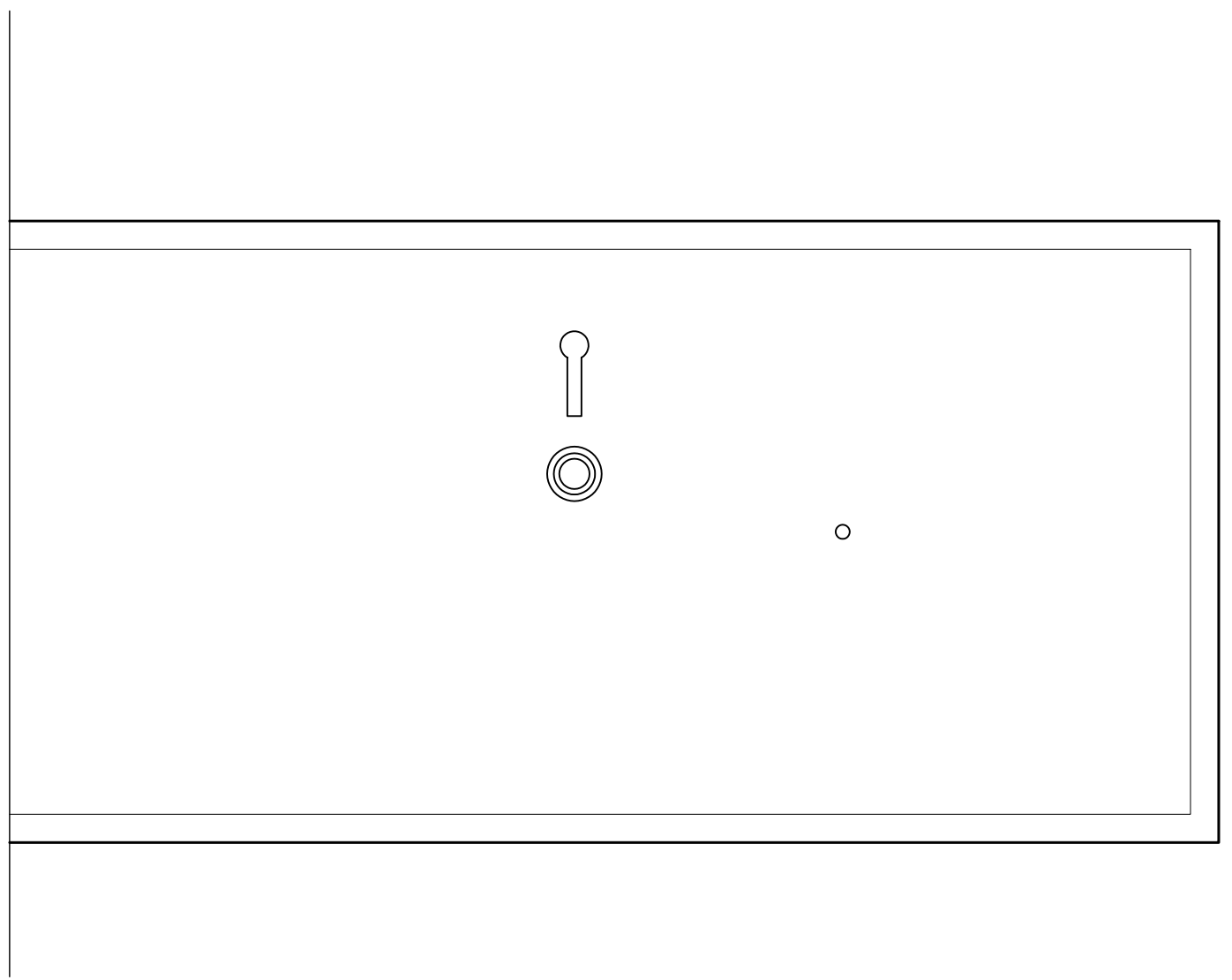
1 2 3 4 5



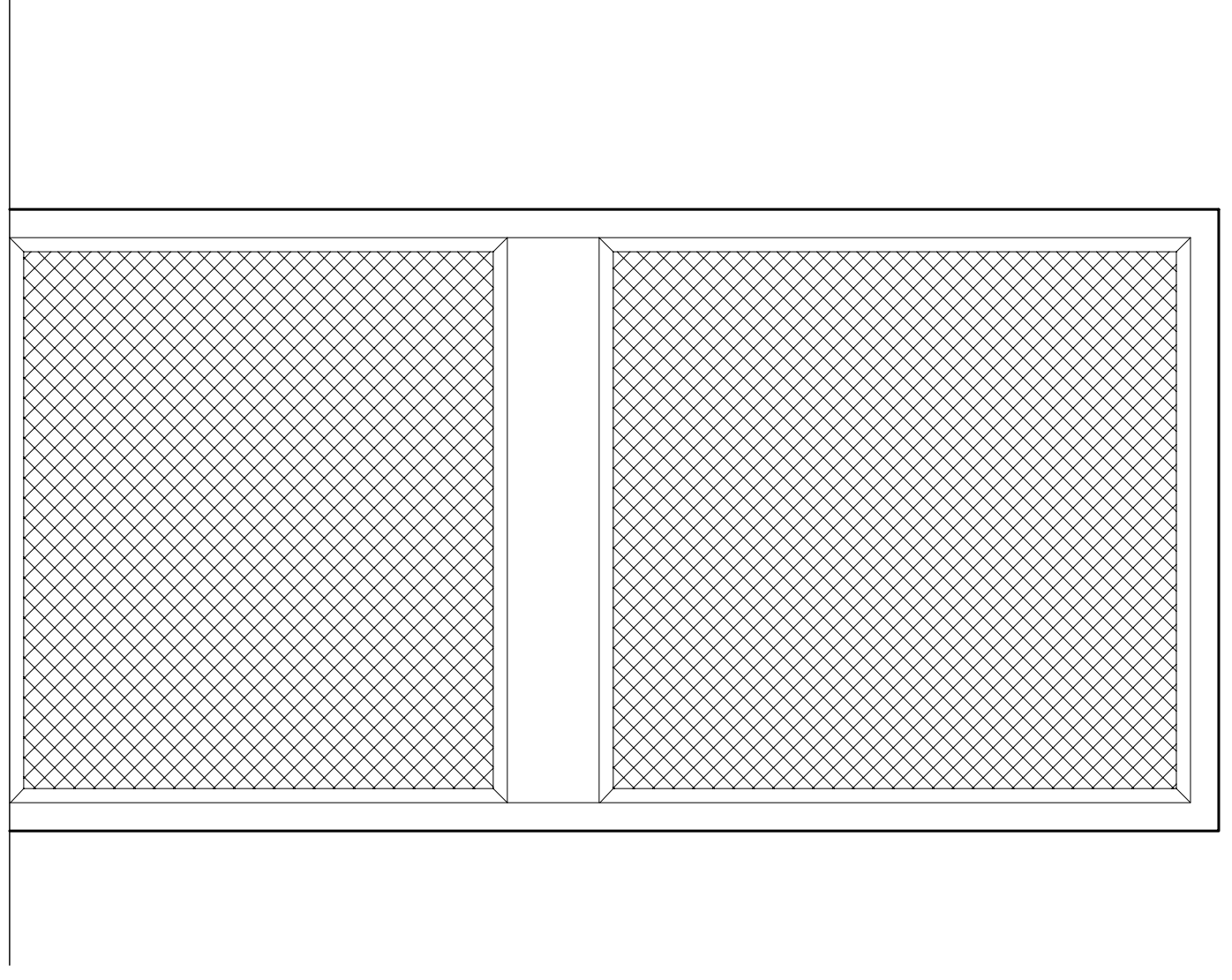
TYP. WINDOW
1" = 1'-0" A



TYP. CLERESTORY WINDOW
1" = 1'-0" B



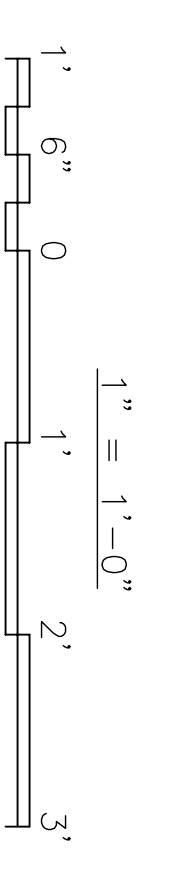
VAULT DOOR
1" = 1'-0" 12



VAULT DOOR - DAYGATE
1" = 1'-0" 12



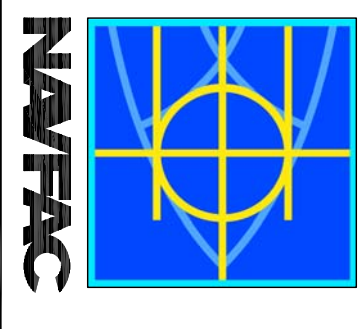
OVERHEAD DOOR
1" = 1'-0" 7 8



RECORD DRAWING
LETTER DATED -
5-27-10



SYM	DESCRIPTION	DATE	APPR
	AS-BUILT	4-25-10	RW
	REVISED AS PER URS COMMENTS 9 OCTOBER 2009	11-6-09	RW



DAMMON ENGINEERING, INC.
 1000 PINEAPPLE CHINESE DRIVE
 DAMMON, LA 70034
 (985) 649-5832
 SEPTEMBER 4, 2009



DES. R. WILSEY DRAW. J. THREAN
 REVIEWED BY: R. WILSEY
 PWD/CHK. T. JARRETT
 CHIEF ENGINEER: P. DAMMON

DEPARTMENT OF THE NAVY NAVAL FACILITIES ENGINEERING COMMAND
NAVAL FACILITIES ENGINEERING COMMAND SOUTHEAST
 IPT GULF COAST NAVAL AIR STATION JACKSONVILLE
 JOHN C. STENNIS SPACE CENTER MISSISSIPPI
SOF RIVERINE AND COMBATANT CRAFT OPERATIONS FACILITY - PRE-FINAL
BLDG. 2440/2441 DOOR/WINDOW ELEVATIONS

CODE ID. NO. N4412 SIZE: 0
 SCALE: AS SHOWN
 DRAWING NO. #####
 STA. PROJ. NO. P-2110
 WORK ORDER NO. 510247
 CONTR. CENTER NO. N62467-05-0-0096
 NAVFAC DRAWING NO. 15026966
 SHEET: 49 OF 132
A1.19