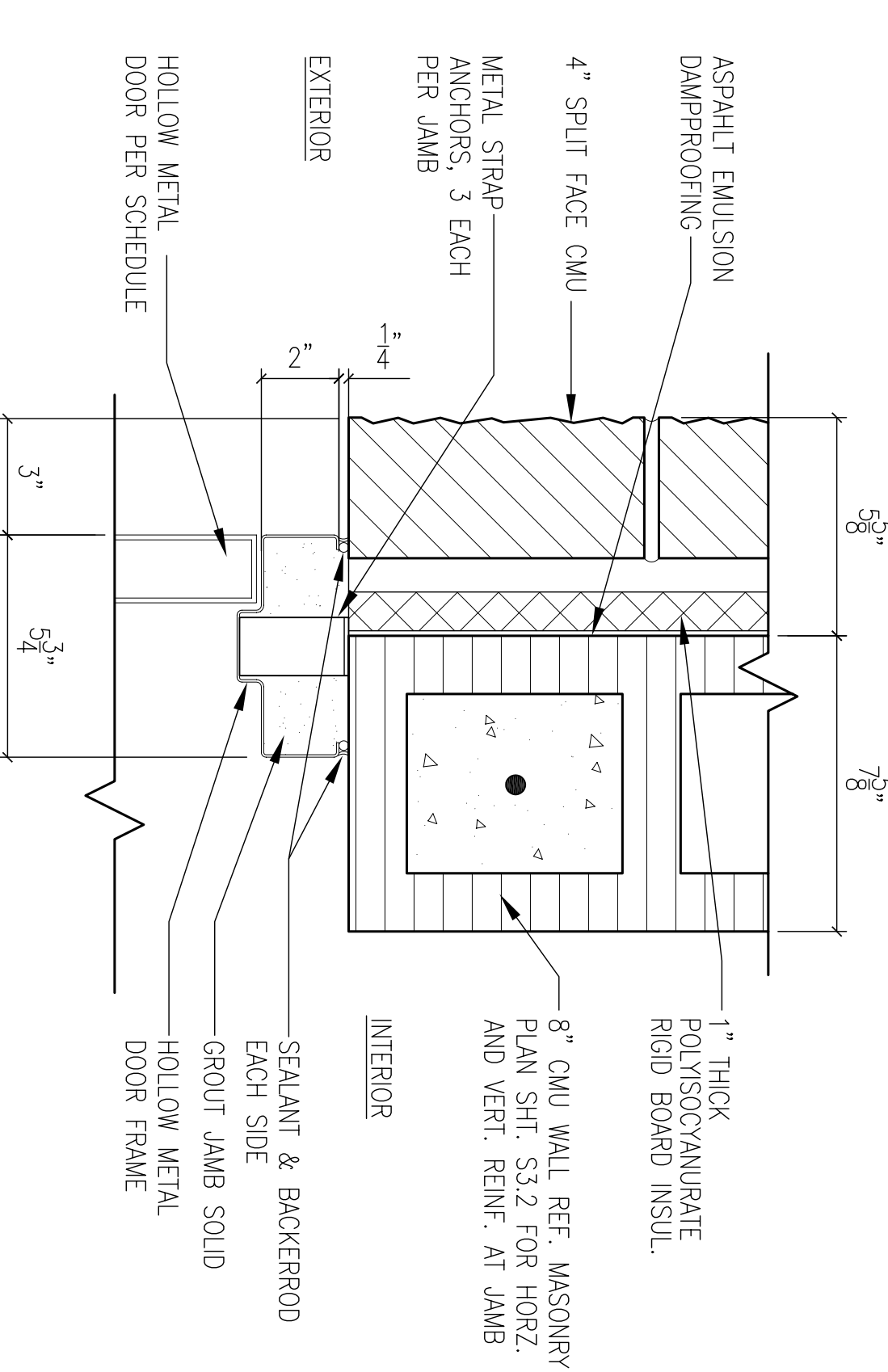
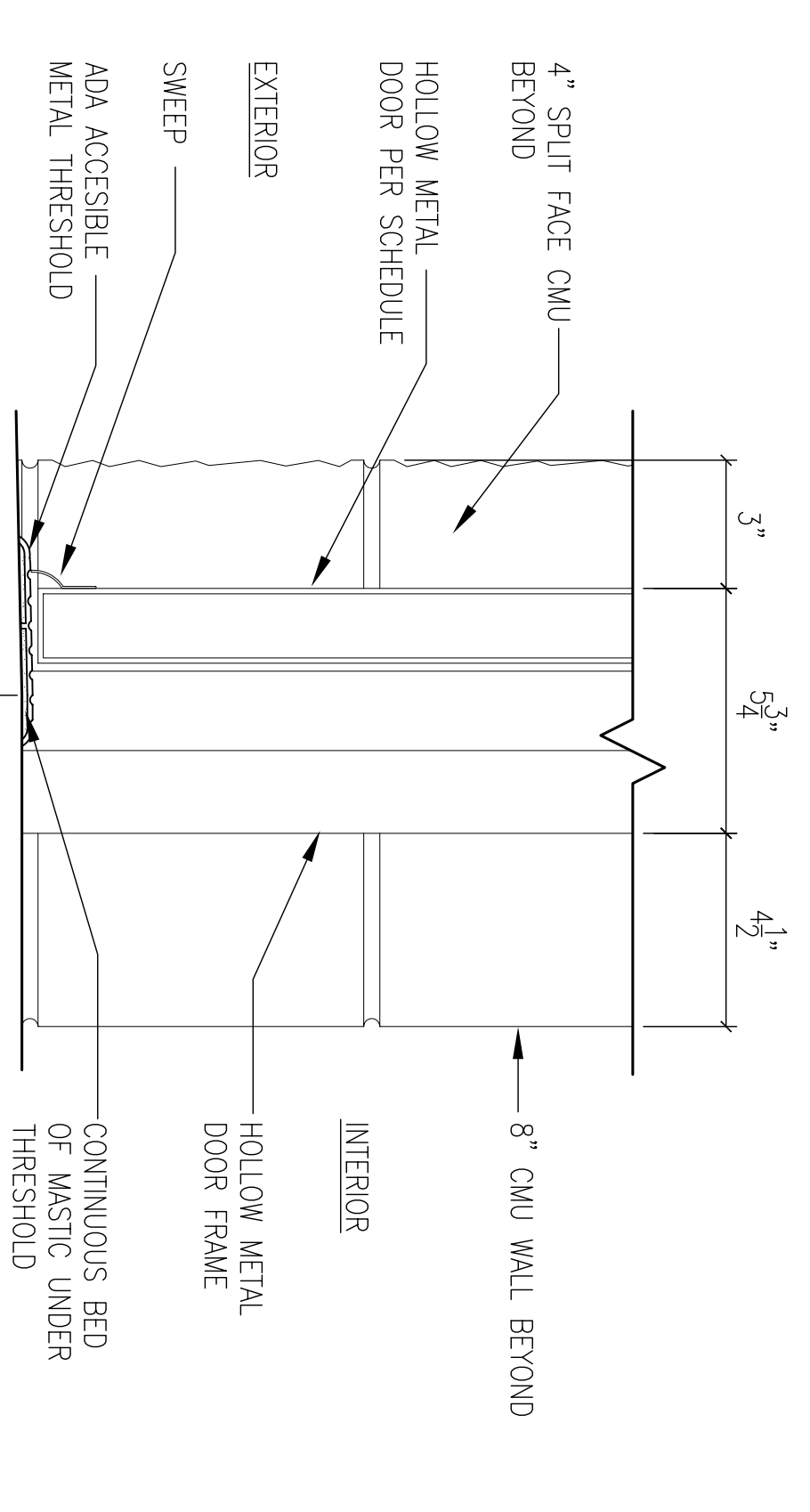


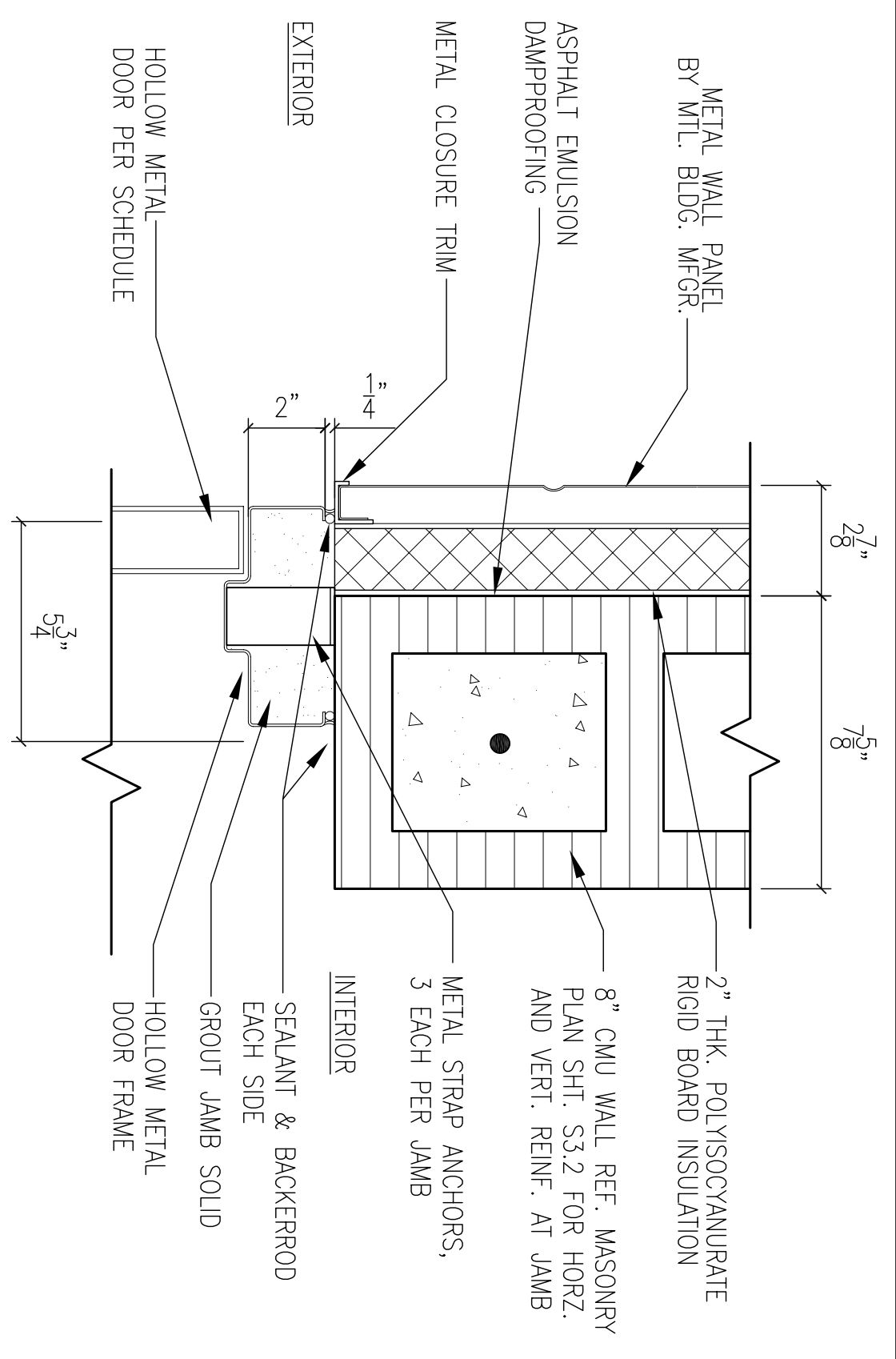
**12**  
1ST FLOOR-HOLLOW METAL  
EXTERIOR DOOR HEAD DETAIL  
SCALE: 3" = 1'-0"  
A1.18



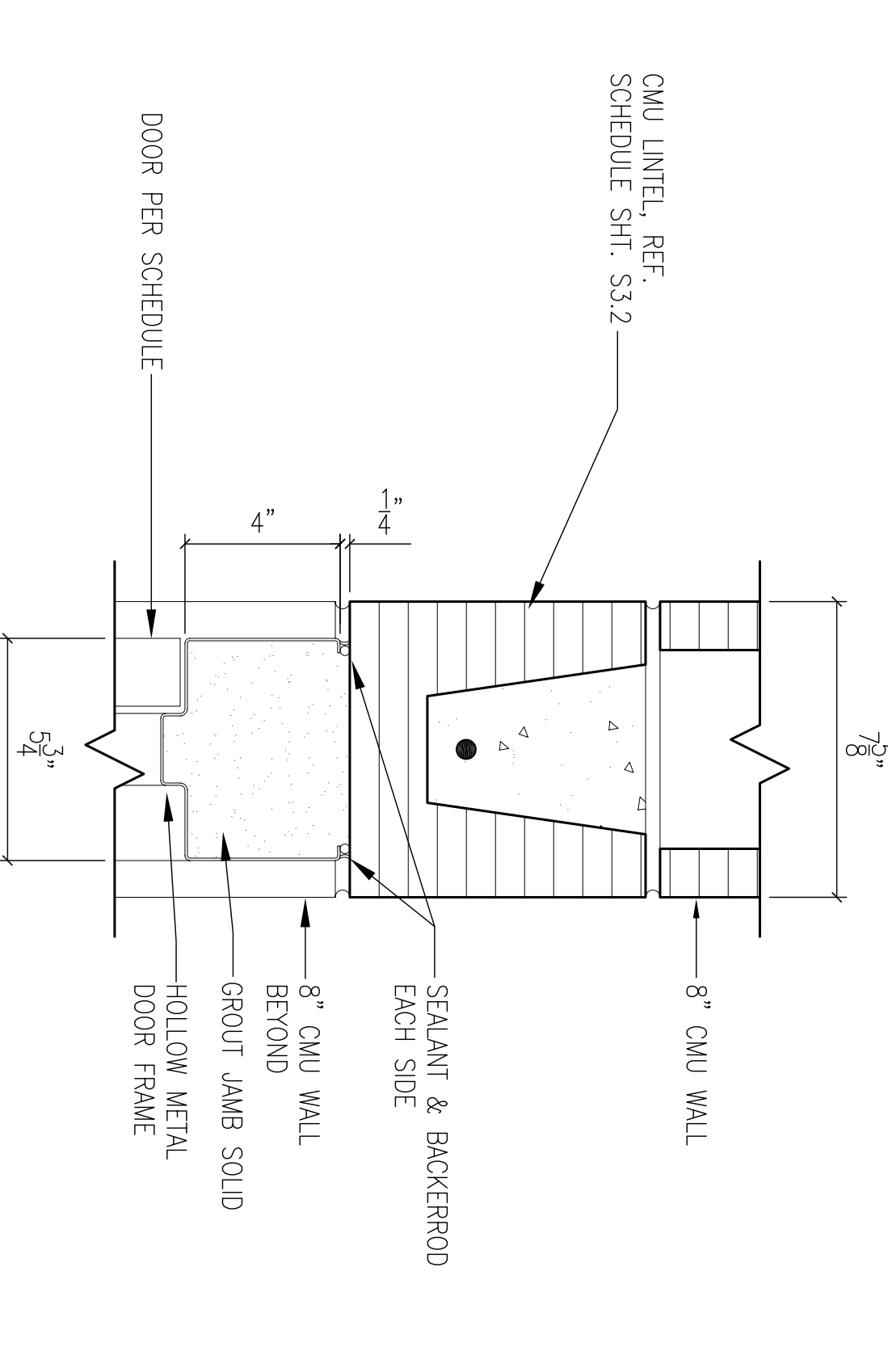
**13**  
1ST FLOOR-HOLLOW METAL  
EXTERIOR DOOR JAMB DETAIL  
SCALE: 3" = 1'-0"  
A1.18



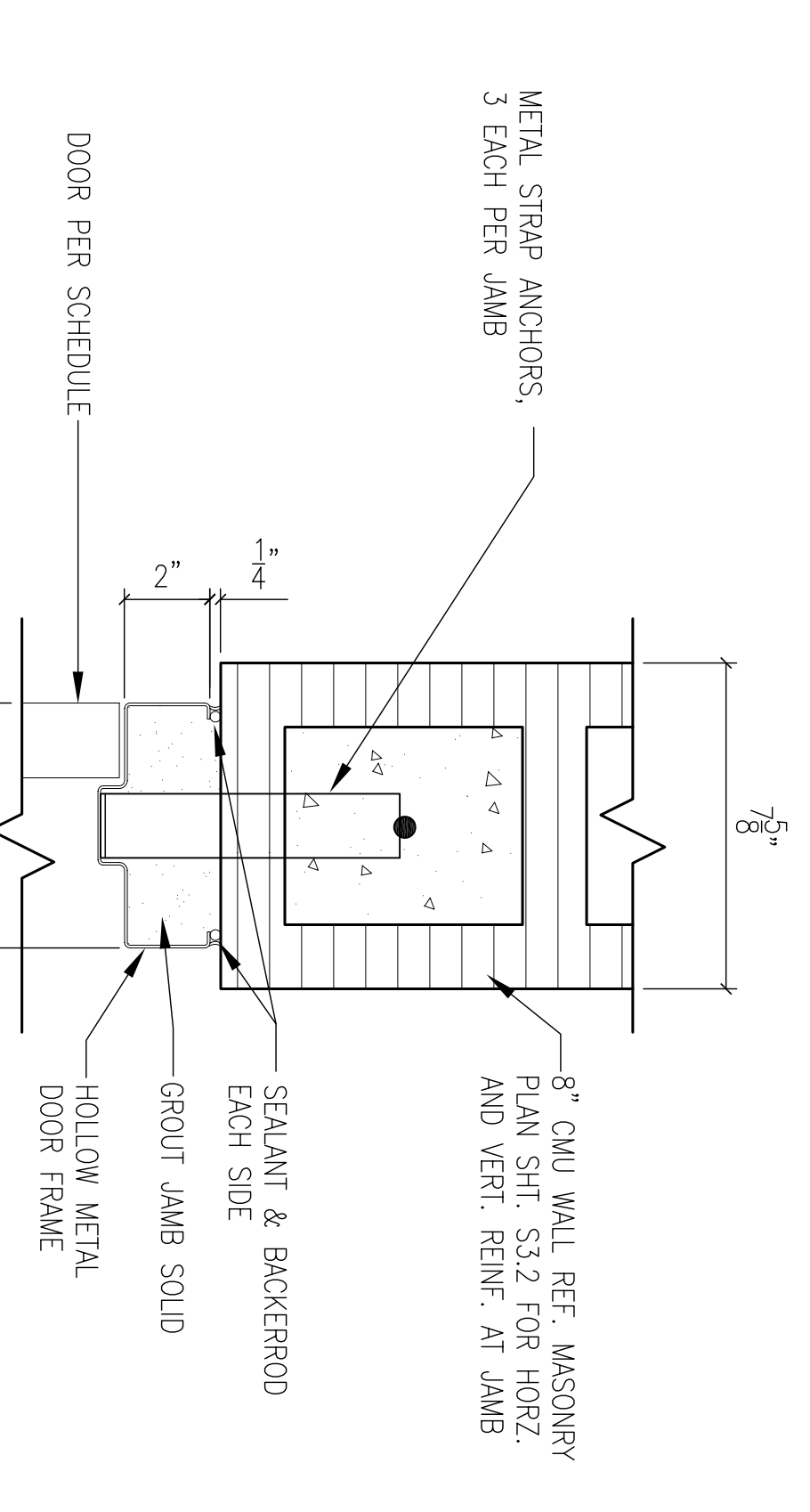
**14**  
1ST FLOOR-HOLLOW METAL  
EXTERIOR DOOR SILL DETAIL  
SCALE: 3" = 1'-0"  
A1.18



**17**  
2ND FLOOR-HOLLOW METAL  
EXTERIOR DOOR JAMB DETAIL  
SCALE: 3" = 1'-0"  
A1.18



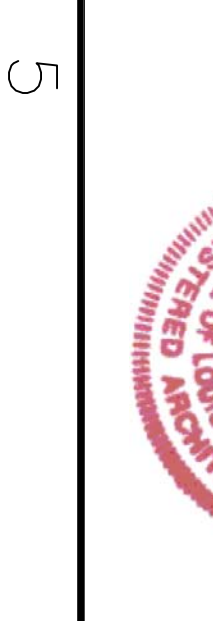
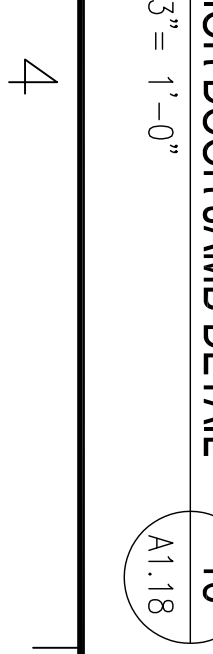
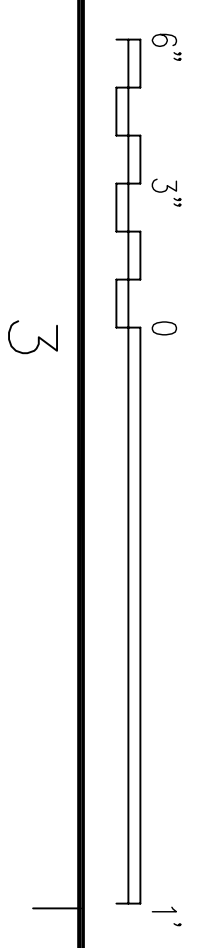
**15**  
1ST FLOOR-HOLLOW METAL  
INTERIOR DOOR HEAD DETAIL  
SCALE: 3" = 1'-0"  
A1.18



**16**  
1ST FLOOR-HOLLOW METAL  
INTERIOR DOOR JAMB DETAIL  
SCALE: 3" = 1'-0"  
A1.18

REVDATE:

1 2 3 4 5



RECORD DRAWING  
LETTER DATED -  
5-27-10



DEPARTMENT OF THE NAVY <b>NAVAL FACILITIES ENGINEERING COMMAND SOUTHEAST</b> IPT GULF COAST JOHN C. STENNIS SPACE CENTER MISSISSIPPI <b>SOF RIVERINE AND COMBATANT CRAFT OPERATIONS FACILITY - PRE-FINAL</b> BLDG. 2440/2441 DOOR DETAILS		DAMMON ENGINEERING, INC. ENGINEER CHEF ENGINEER PROJECT MANAGER DAMMON ENGINEERING, INC. 5100 L.L. ROBERTS BLVD. SUITE 100 SLIDELL, LA 70458 (985) 649-5312 ESTABLISHED 1982		EMMETT B. DAMMON LICENSED PROFESSIONAL ENGINEER STATE OF MISSISSIPPI 9662		RES: R. WITSE DRAWN: J. MCFARLANE CHECKED: R. WITSE IN CHARGE: T. JARRETT PROJECT: DAMMON		DATE: 4-25-10 APPR: RW
CODE ID: NO. N4412 SIZE: D SCALE: AS SHOWN DRAWING NO.: P-210 STA. PROJ. NO.: 510247 WORK ORDER NO.: N62467-05-0-0096 CONSTR. CONTR. NO.: 15026992 SHEET: 50 OF 132		NAVAL FACILITIES ENGINEERING COMMAND SOUTHEAST 15026992		NAFAAC		SYM DESCRIPTION DATE APPR		