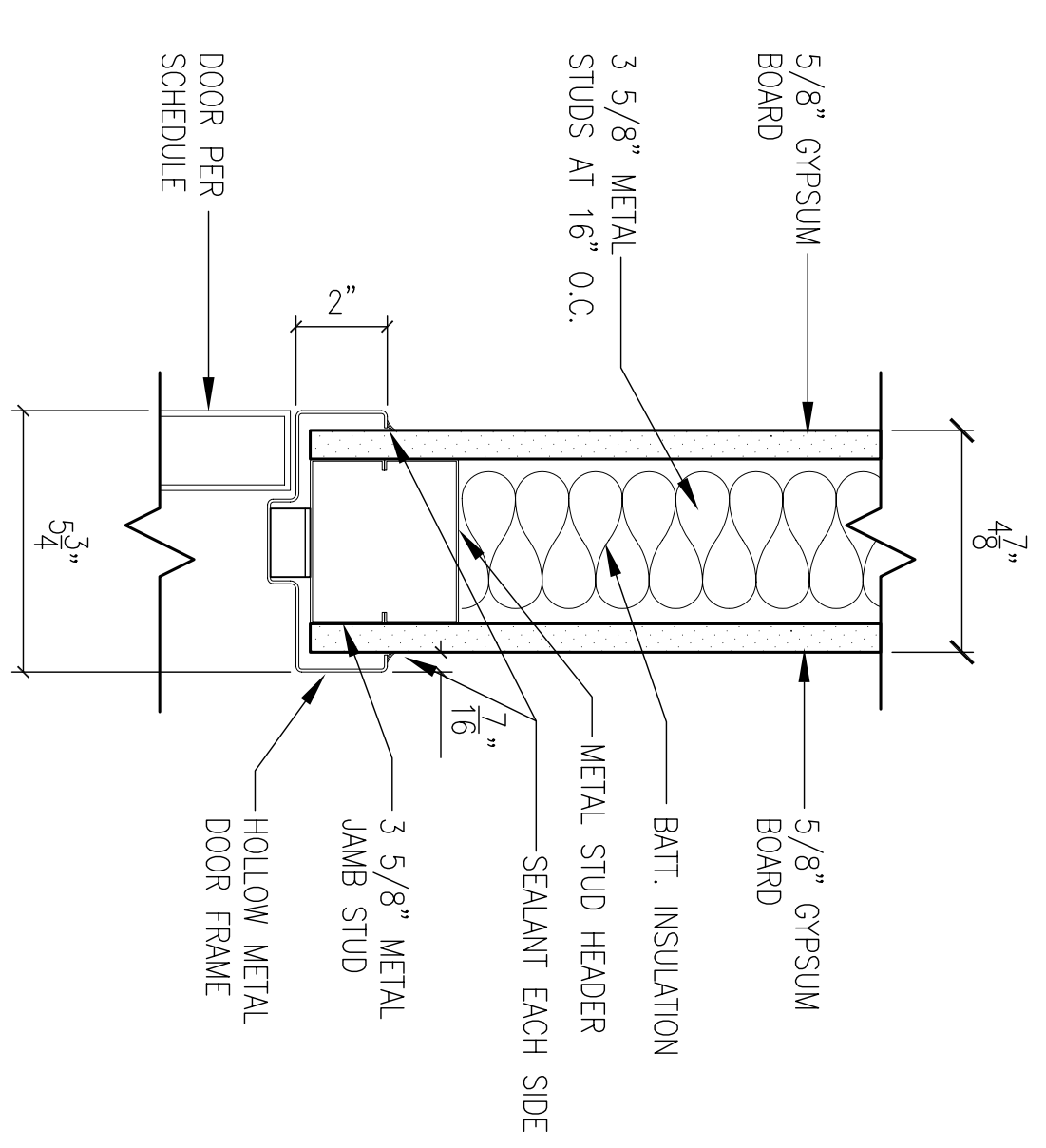
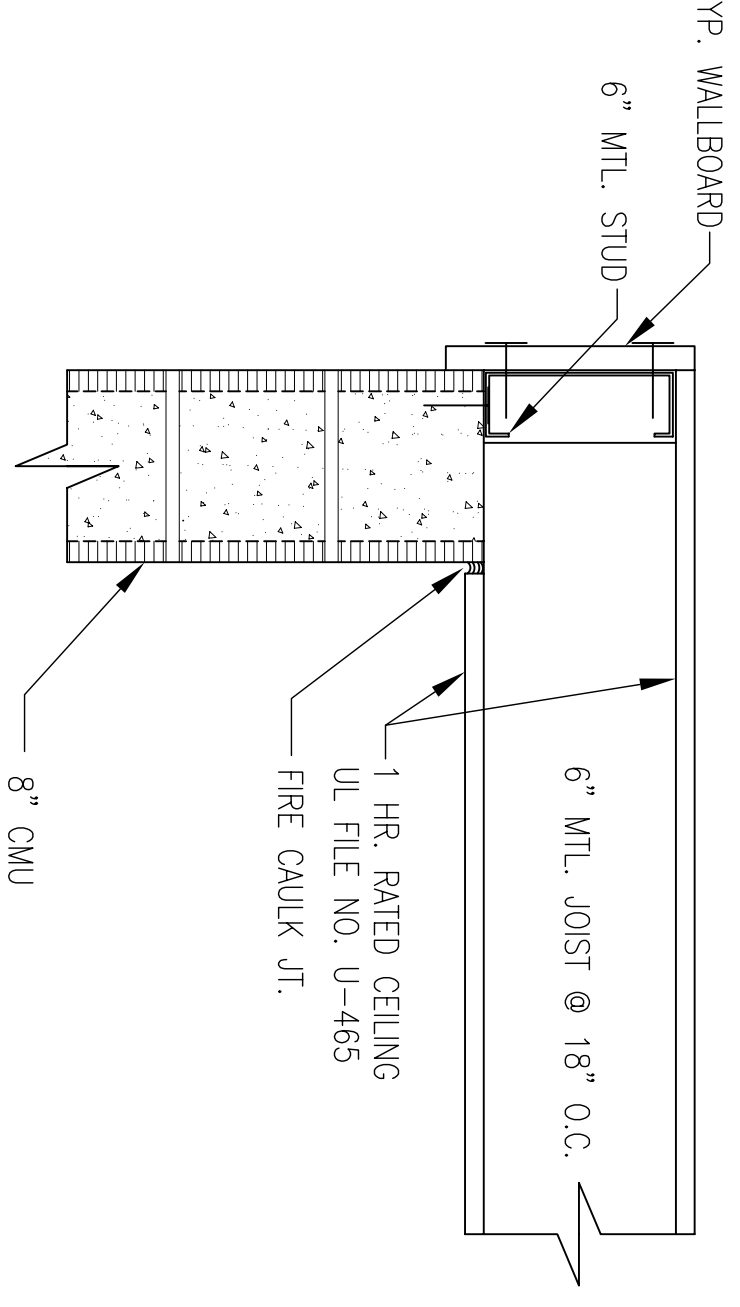


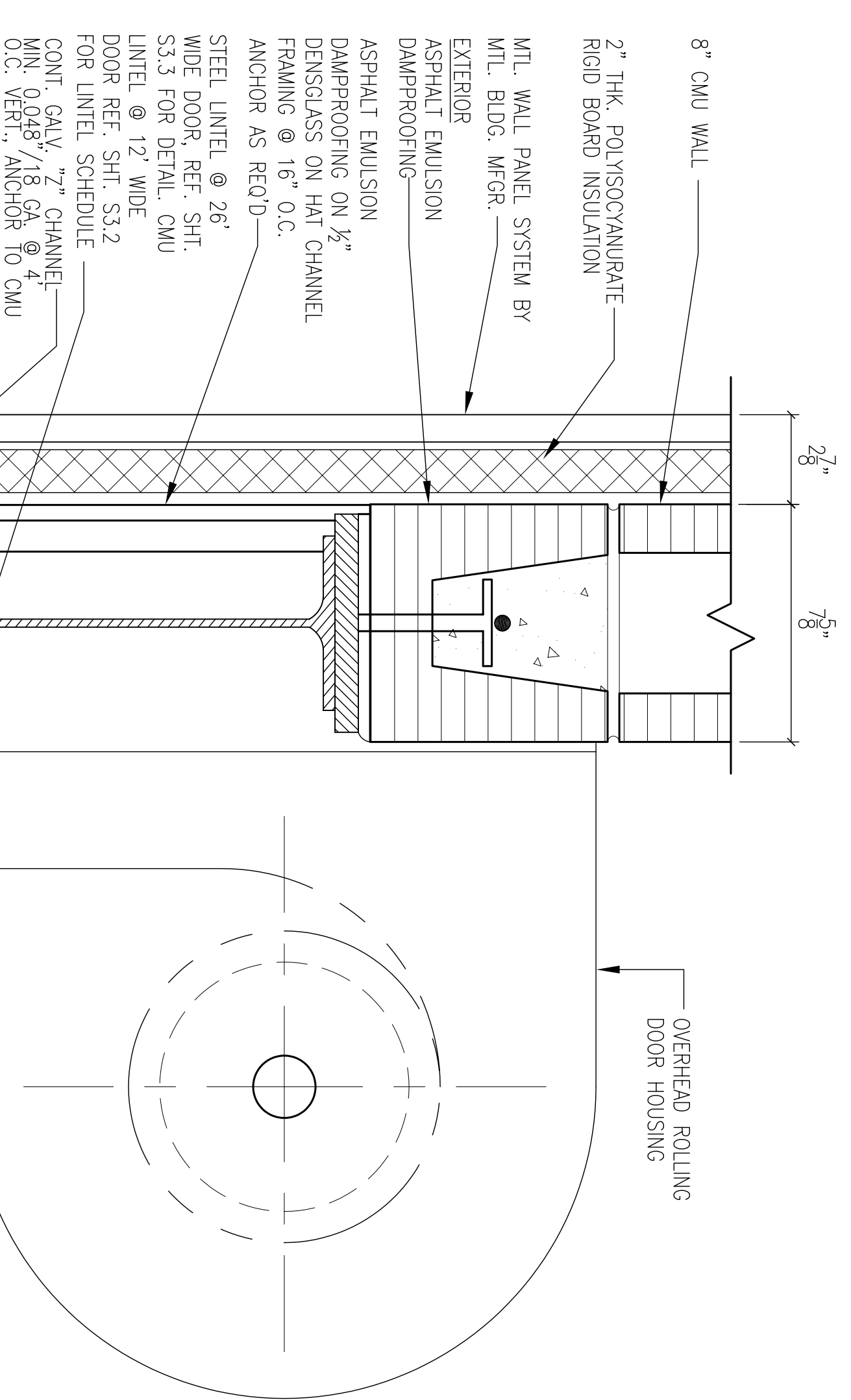
18
2ND FLOOR-HOLLOW METAL
INTERIOR DOOR HEAD DETAIL
SCALE: 3" = 1'-0"
A1.17



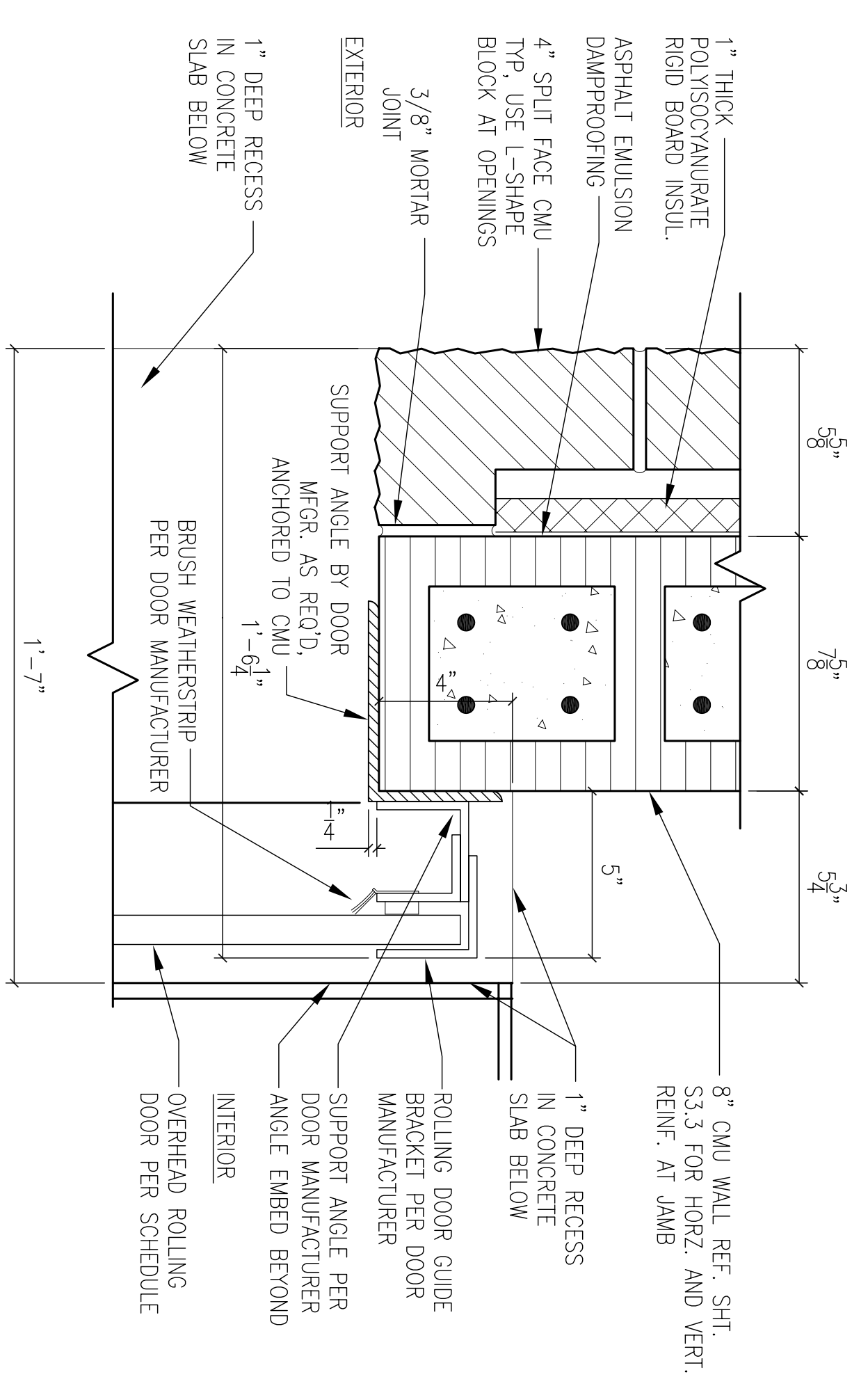
19
2ND FLOOR-HOLLOW METAL
INTERIOR DOOR JAMB DETAIL
SCALE: 3" = 1'-0"
A1.17



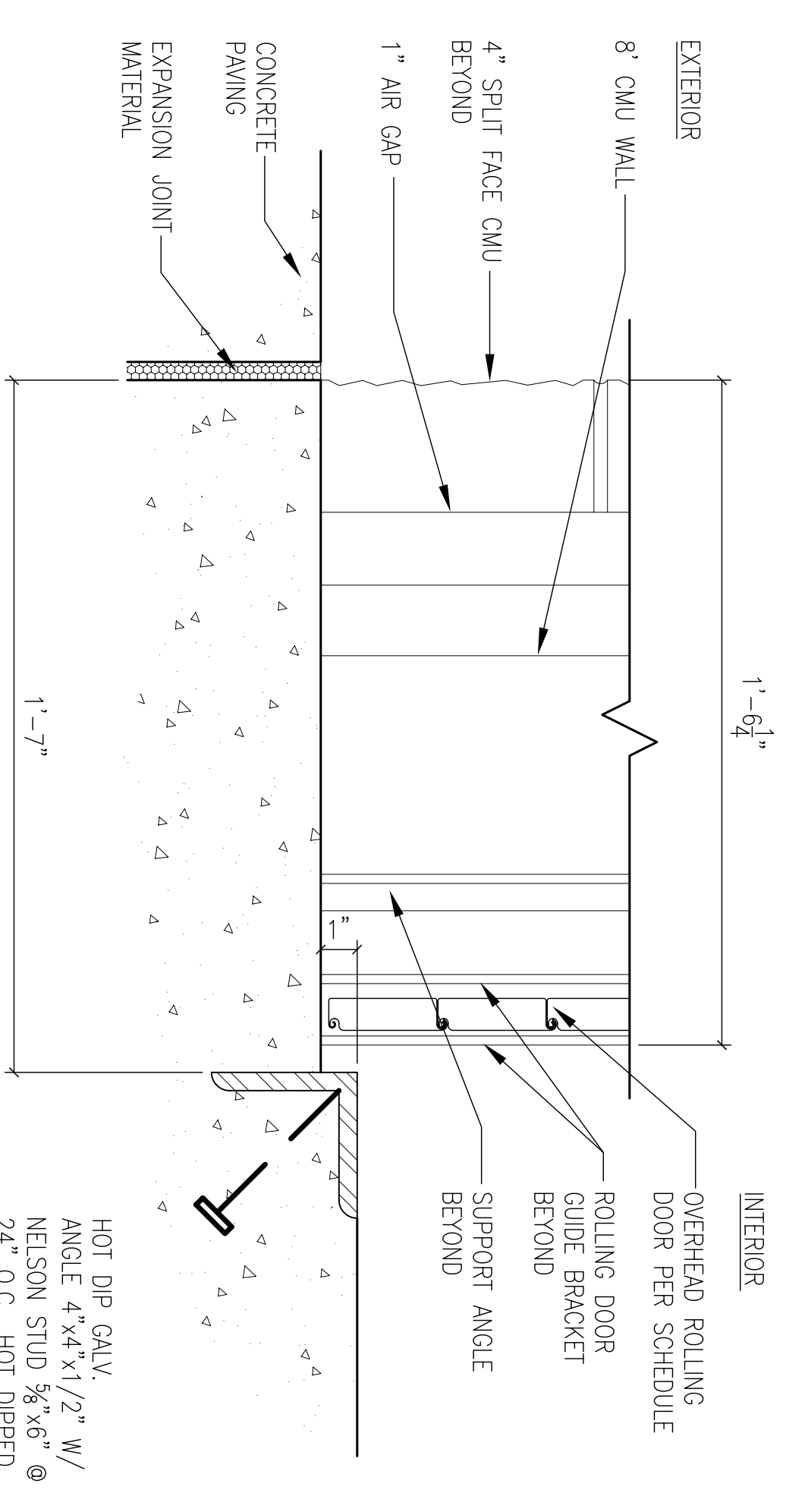
17
INTERIOR CEILING AT STAIRS RM. 215 DETAIL
SCALE: N.T.S.



26
1ST FLOOR-OVERHEAD COLLING
EXTERIOR DOOR HEAD DETAIL
SCALE: 3" = 1'-0"
A1.17



27
1ST FLOOR-OVERHEAD COLLING
EXTERIOR DOOR JAMB DETAIL
SCALE: 3" = 1'-0"
A1.17



28
1ST FLOOR-OVERHEAD COLLING
EXTERIOR DOOR SILL DETAIL
SCALE: 3" = 1'-0"
A1.17
A2.7

RECORD DRAWING
LETTER DATED -
5-27-10



SYM	DESCRIPTION	DATE	APPR
	AS-BUILT	4-25-10	RW
	REVISED FOR FINAL	12-7-09	RW



DAMMON
ENGINEERING, INC.
CORPORATE OFFICE
1000 PINEAPPLE DRIVE
SUITE 100
SLIDELL, LA 70458
(985) 649-8312
FAX: (985) 649-8312
ESTABLISHED 1982



DEPARTMENT OF THE NAVY
NAVAL FACILITIES ENGINEERING COMMAND SOUTHEAST
IPT GULF COAST
NAVAL AIR STATION JACKSONVILLE
MISSISSIPPI
JOHN C. STENNIS SPACE CENTER
SOF RIVERINE AND COMBATANT
CRAFT OPERATIONS FACILITY - PRE-FINAL
BLDG. 2440/2441 DOOR DETAILS

DES. R. WHITE DRW. J. THREANI
FORWARDED BY: R. WITSE
PWL/TK, T. ARBIB
CHIEF ENGINEER: P. DAMMON

CODE ID. NO. N4412 SIZE: D
SCALE: AS SHOWN
DRAWING NO. #####
STA. PROJ. NO. P-210
WORK ORDER NO. 510247
CONSTR. CONTR. NO. N62467-05-0-0096
NAVFAC DRAWING NO. 15026898
SHEET 51 OF 132