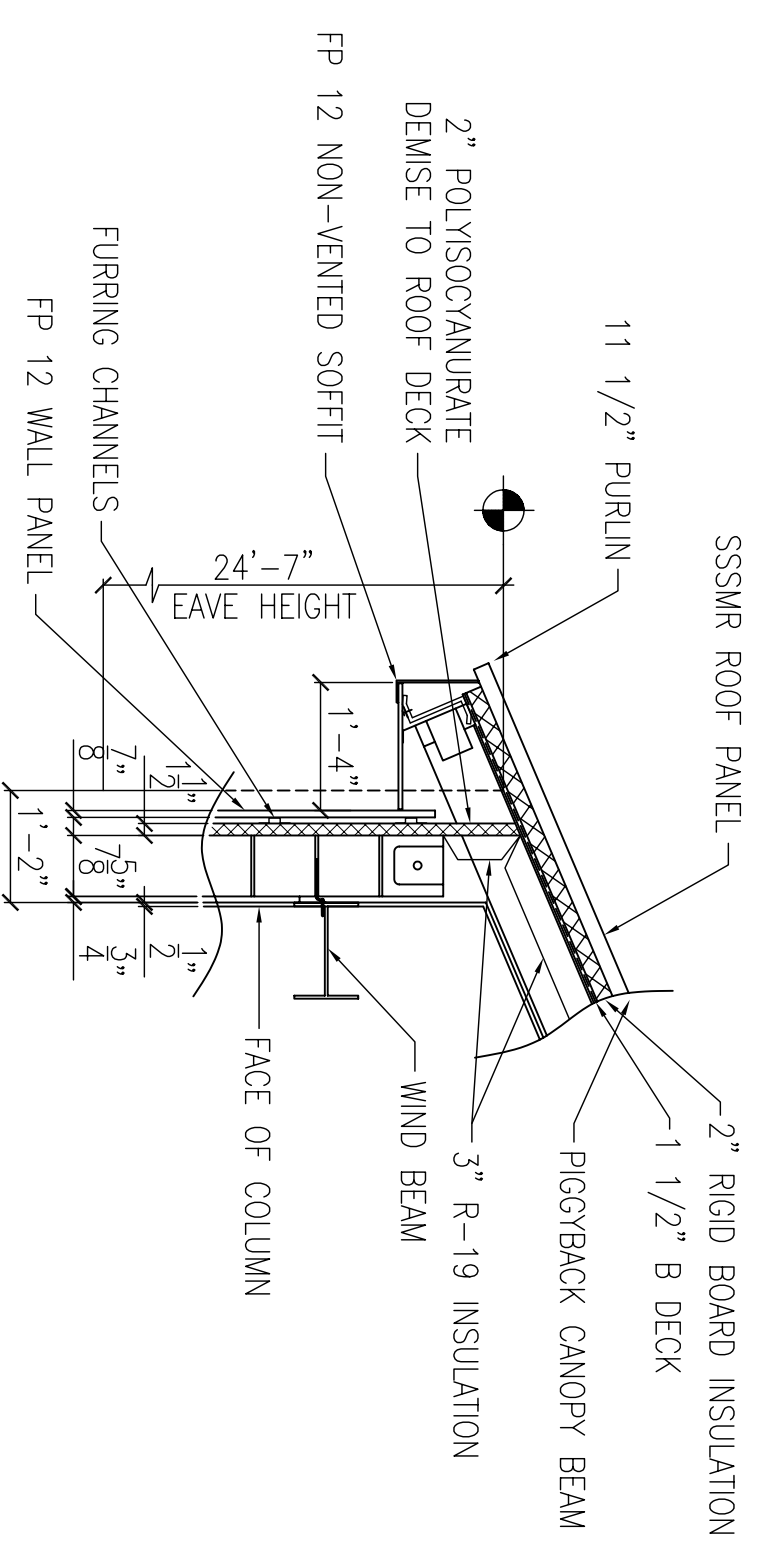
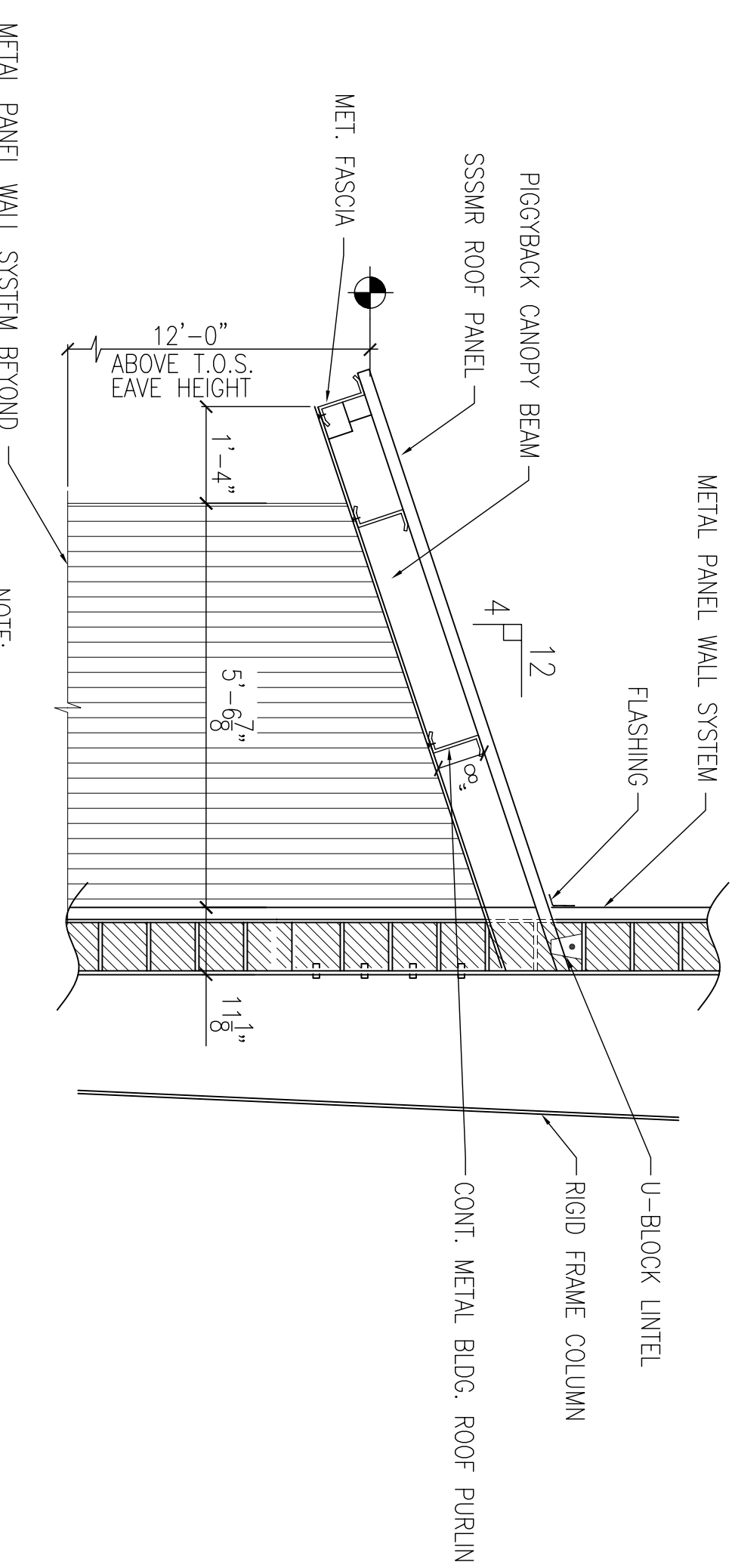


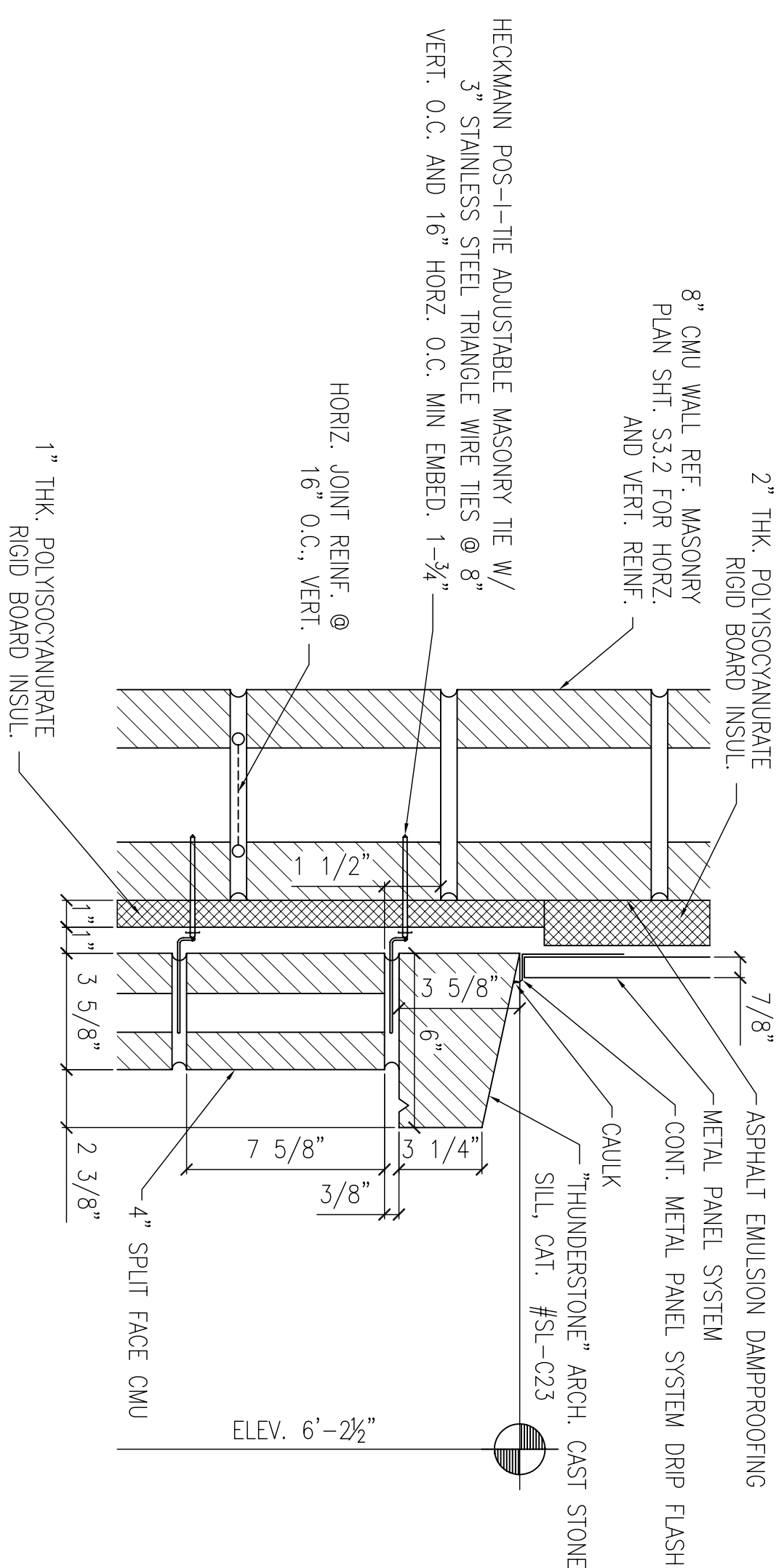
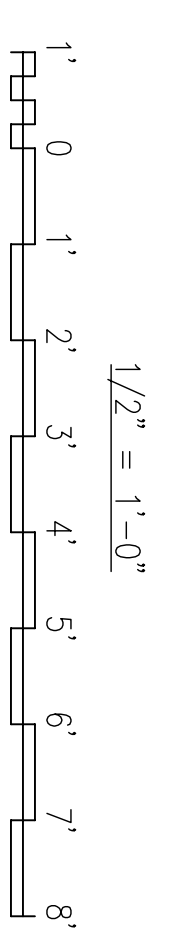
FRAMING SECTION AT CLERESTORY
1/2" = 1'-0"
A1.8



ROOF OVERHANG DETAIL
1/2" = 1'-0"
A1.3



SECTION AT FRONT ENTRANCE OVERHANG
1/2" = 1'-0"
A1.9



CAST STONE SILL DETAIL
N.T.S.
A1.3

RECORD DRAWING
LETTER DATED -
5-27-10



<p>DEPARTMENT OF THE NAVY NAVAL FACILITIES ENGINEERING COMMAND SOUTHEAST NAVAL AIR STATION JACKSONVILLE MISSISSIPPI</p> <p>JOHN C. STENNIS SPACE CENTER SOF OPERATIVE AND COMBATANT CRAFT OPERATIONS FACILITY - PRE-FINAL BLDG. 2440/2441 BUILDING DETAILS</p>	<p>DESIGNED BY: R. WILTSE DRAWN BY: J. WHELAN CHECKED BY: T. ARBIB IN CHARGE: P. DAMMON</p>	<p>EMMETT B. DAMMON LICENSED PROFESSIONAL ENGINEER STATE OF MISSISSIPPI 9652</p>	<p>DAMMON ENGINEERING, INC. CHIEF ENGINEER DAMMON ENGINEERING, INC. 1000 W. GEMMA AVE. SUITE 100 MOBILE, LA 36688 (985) 649-5312</p>		<table border="1"> <tr> <th>SYM</th> <th>DESCRIPTION</th> <th>DATE</th> <th>APPR</th> </tr> <tr> <td></td> <td>AS-BUILT</td> <td>4-25-10</td> <td>RW</td> </tr> </table>	SYM	DESCRIPTION	DATE	APPR		AS-BUILT	4-25-10	RW
SYM	DESCRIPTION	DATE	APPR										
	AS-BUILT	4-25-10	RW										