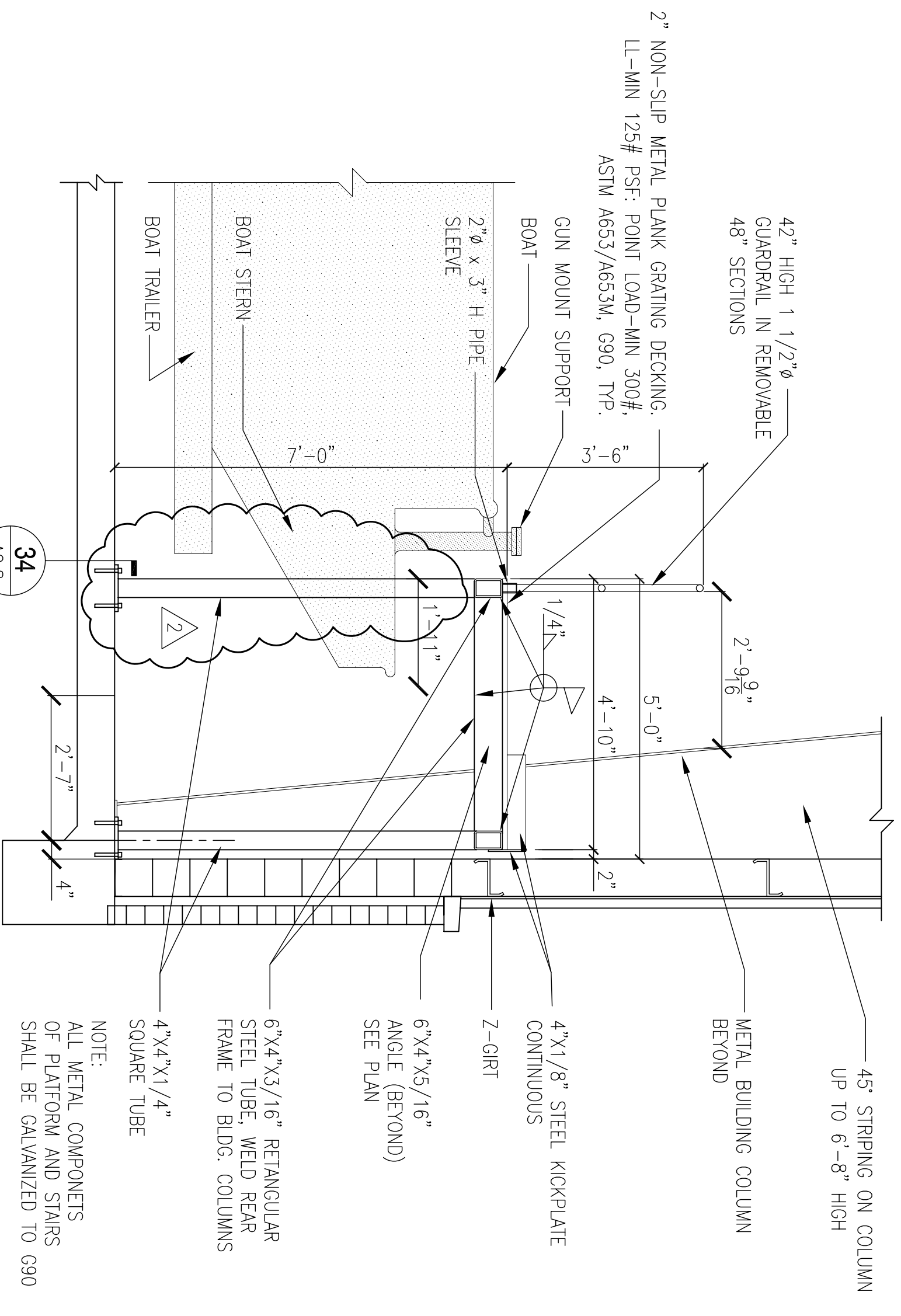
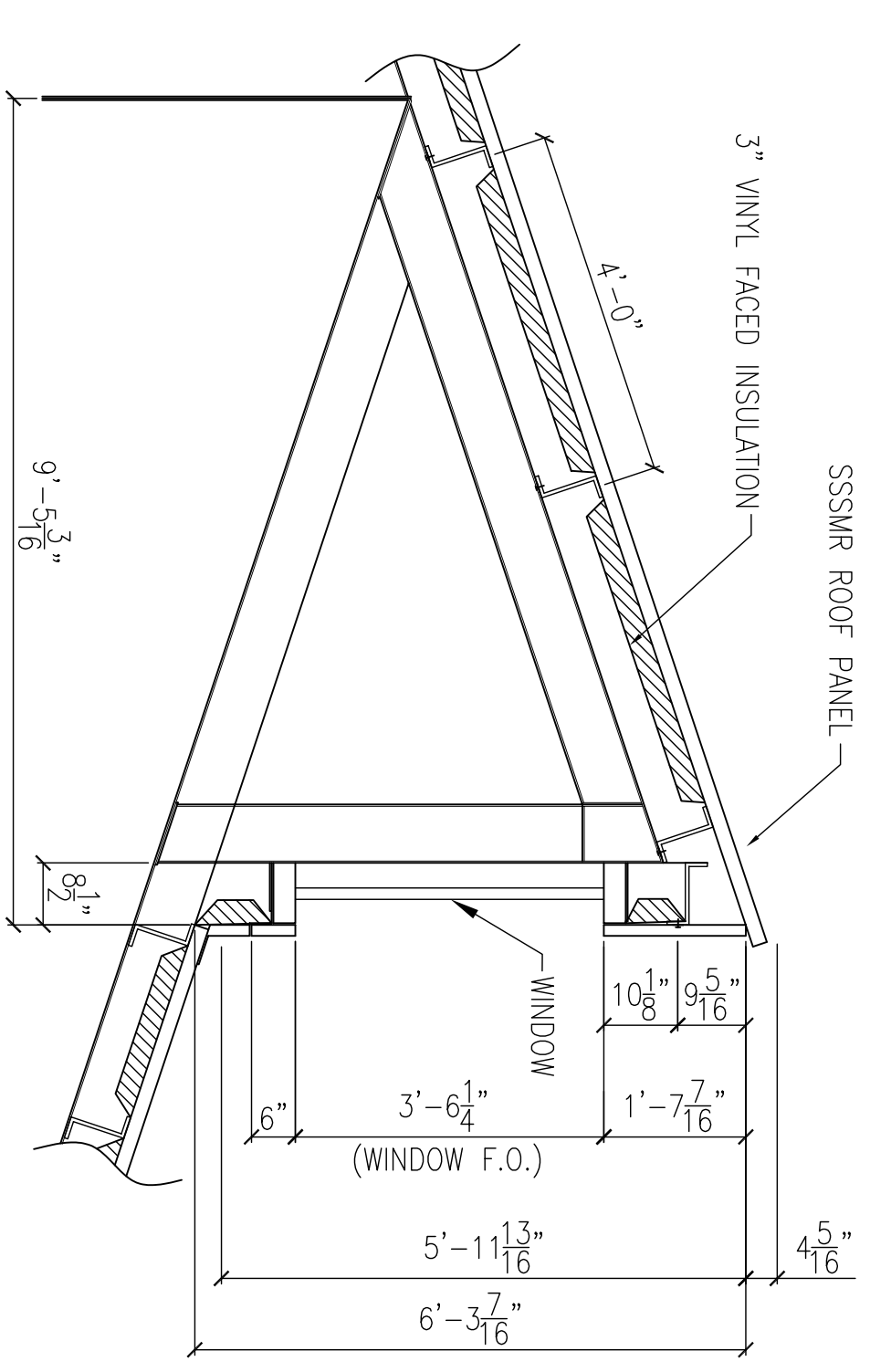
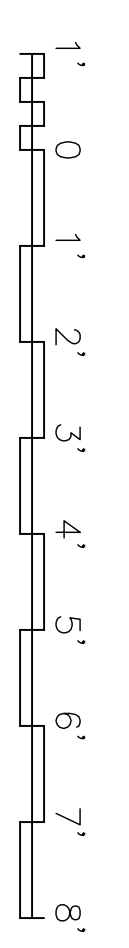


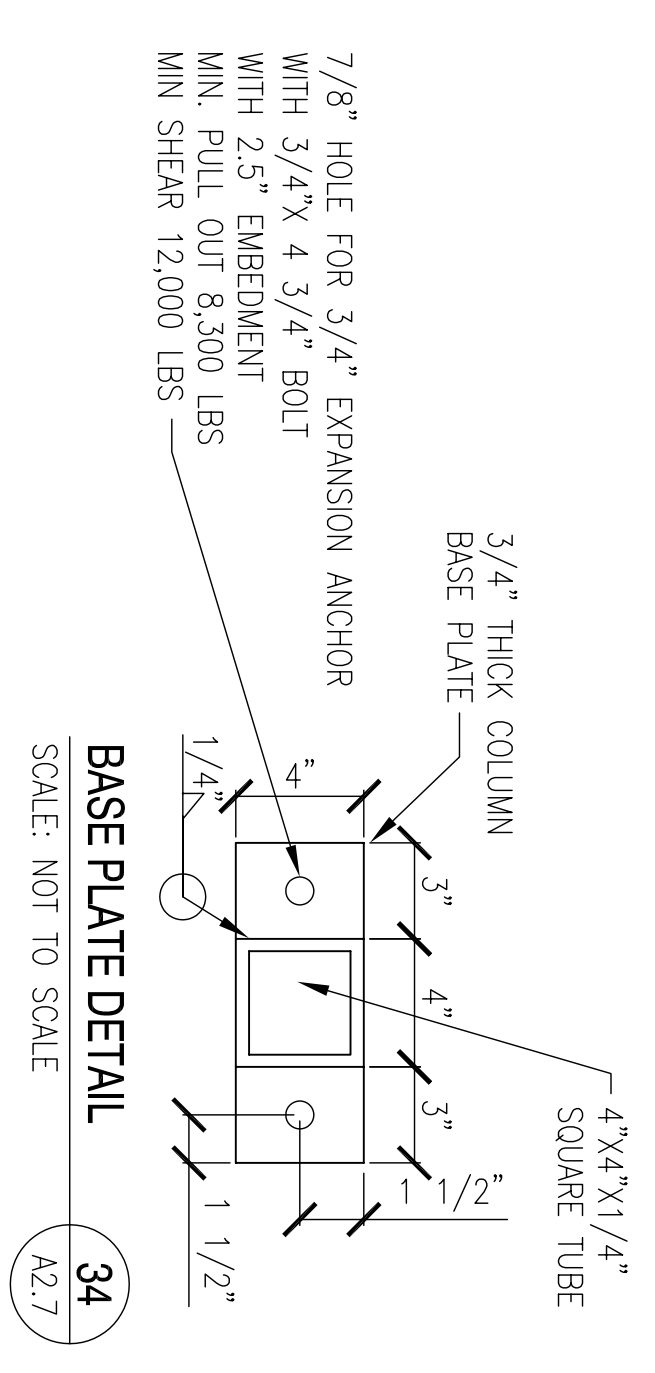
SECTION AT CATWALK STAIRS  
G  
SCALE: 1/2" = 1'-0"



DETAIL AT CATWALK  
33  
SCALE: 1/2" = 1'-0"



SECTION AT CLERESTORY  
H  
SCALE: 1/2" = 1'-0"

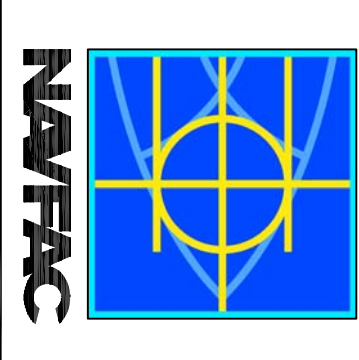


BASE PLATE DETAIL  
34  
SCALE: NOT TO SCALE

RECORD DRAWING  
LETTER DATED -  
5-27-10



SYM	DESCRIPTION	DATE	APPR
AS-BUILT CONDITIONS SHOWN		4-27-10	RW
AS-BUILT		4-25-10	RW



**DAMMON**  
ENGINEERING, INC.  
CHIEF ENGINEER  
DAMMON & ASSOCIATES  
SIBOUL, LA 70358  
(985) 649-4312



DEPARTMENT OF THE NAVY  
NAVAL FACILITIES ENGINEERING COMMAND  
NAVAL FACILITIES ENGINEERING COMMAND SOUTHEAST  
IPT GULF COAST  
MISSISSIPPI  
JOHN C. STENNIS SPACE CENTER  
SOF RIVERINE AND COMBATANT  
CRAFT OPERATIONS FACILITY - PRE-FINAL  
BLDG. 2442 BLDG. DETAILS

DES. R. WITSE  
DRAWN: J. MIFANAY  
CHECKED BY: R. WITSE  
PWL/TJK, T. ARMBR  
CHIEF ENGINEER: E. DAMMON  
DATE: 4/20/10

SCALE: AS SHOWN  
SHEET NO. 61 OF 132

CONSTR. CENTER NO. N62467-05-0-0096  
NAFAC DRAWING NO. 15026708