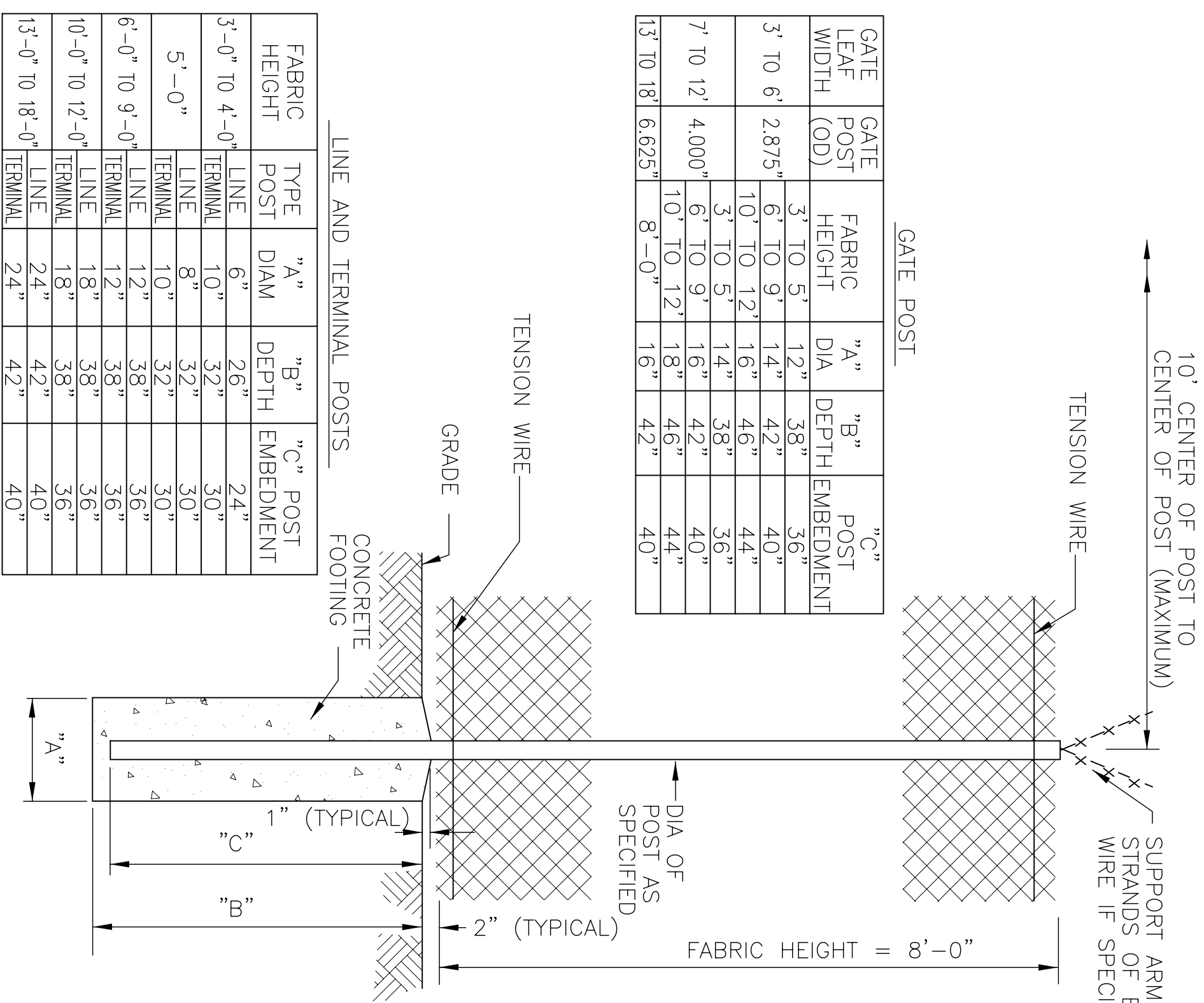
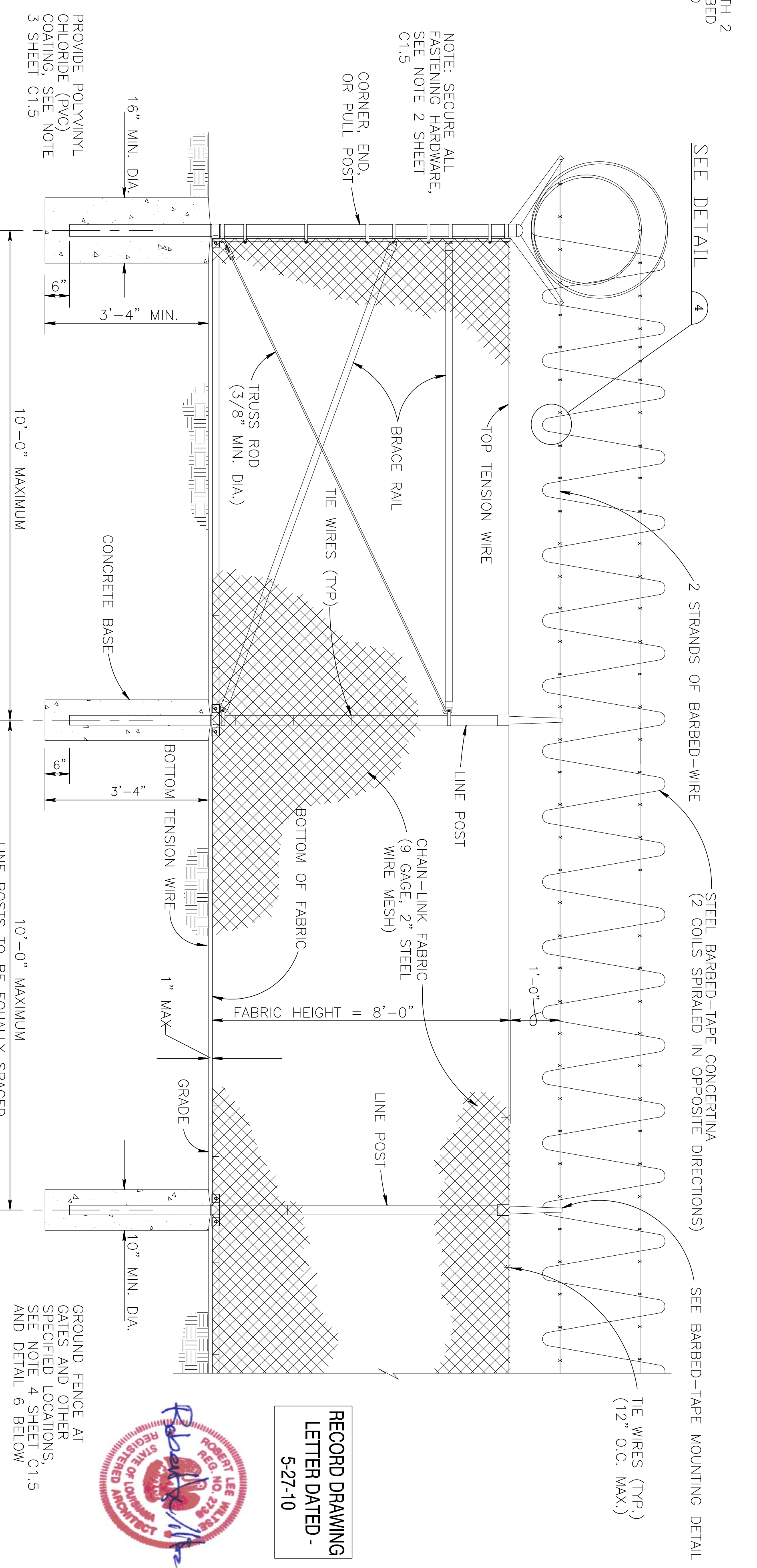


GATE LEAF WIDTH	GATE POST FABRIC HEIGHT (OD)	"A" FABRIC DIA	"B" FABRIC DEPTH	"C" POST EMBEDMENT
3' TO 6'	2.875"	3" TO 5"	12"	36"
6' TO 9'	3.4375"	3" TO 5"	14"	42"
9' TO 12'	4.000"	3" TO 5"	16"	48"
12' TO 15'	4.5625"	3" TO 5"	18"	54"
15' TO 18'	5.125"	3" TO 5"	20"	60"
18' TO 21'	5.6875"	3" TO 5"	22"	66"
21' TO 24'	6.250"	3" TO 5"	24"	72"

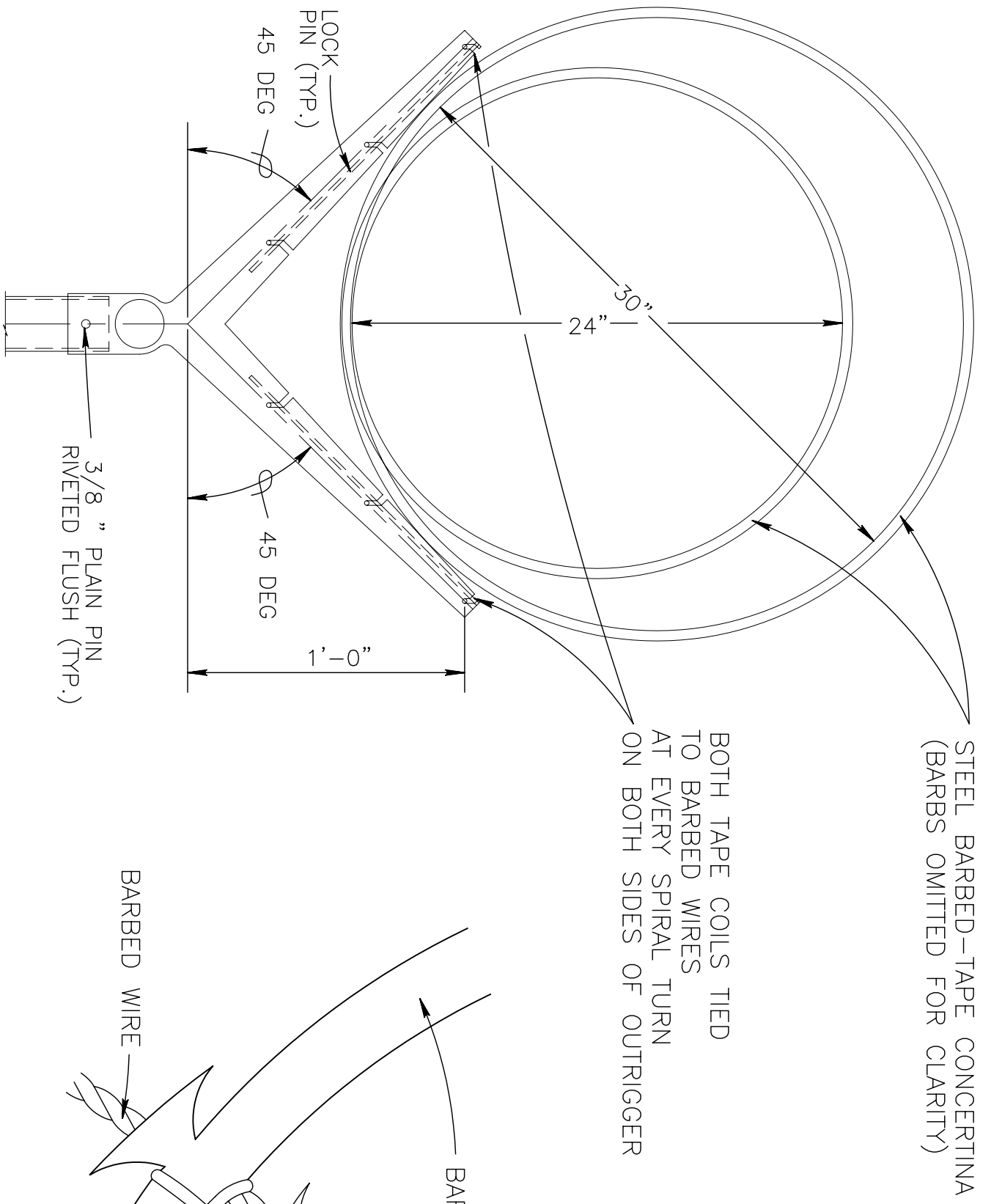


CHAIN LINK FENCE
NOT TO SCALE
C1.4

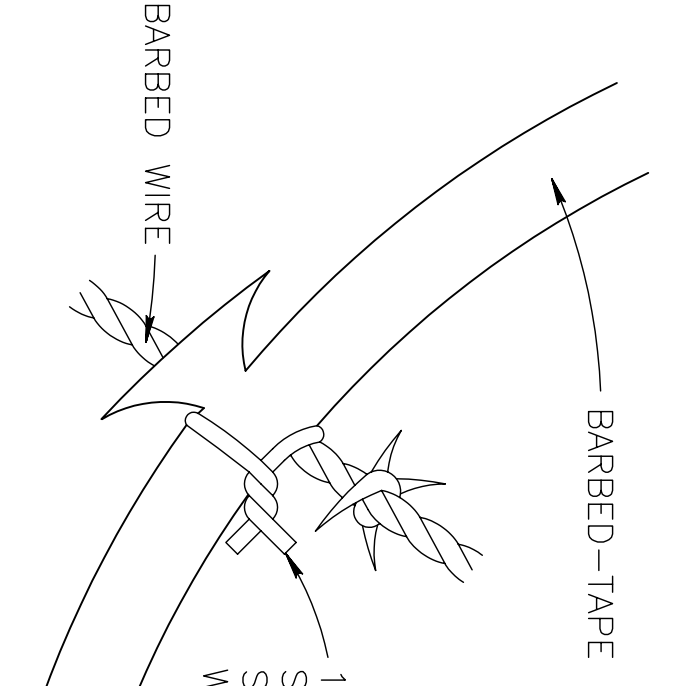


CHAIN LINK SECURITY FENCE DETAIL
NOT TO SCALE
C1.1

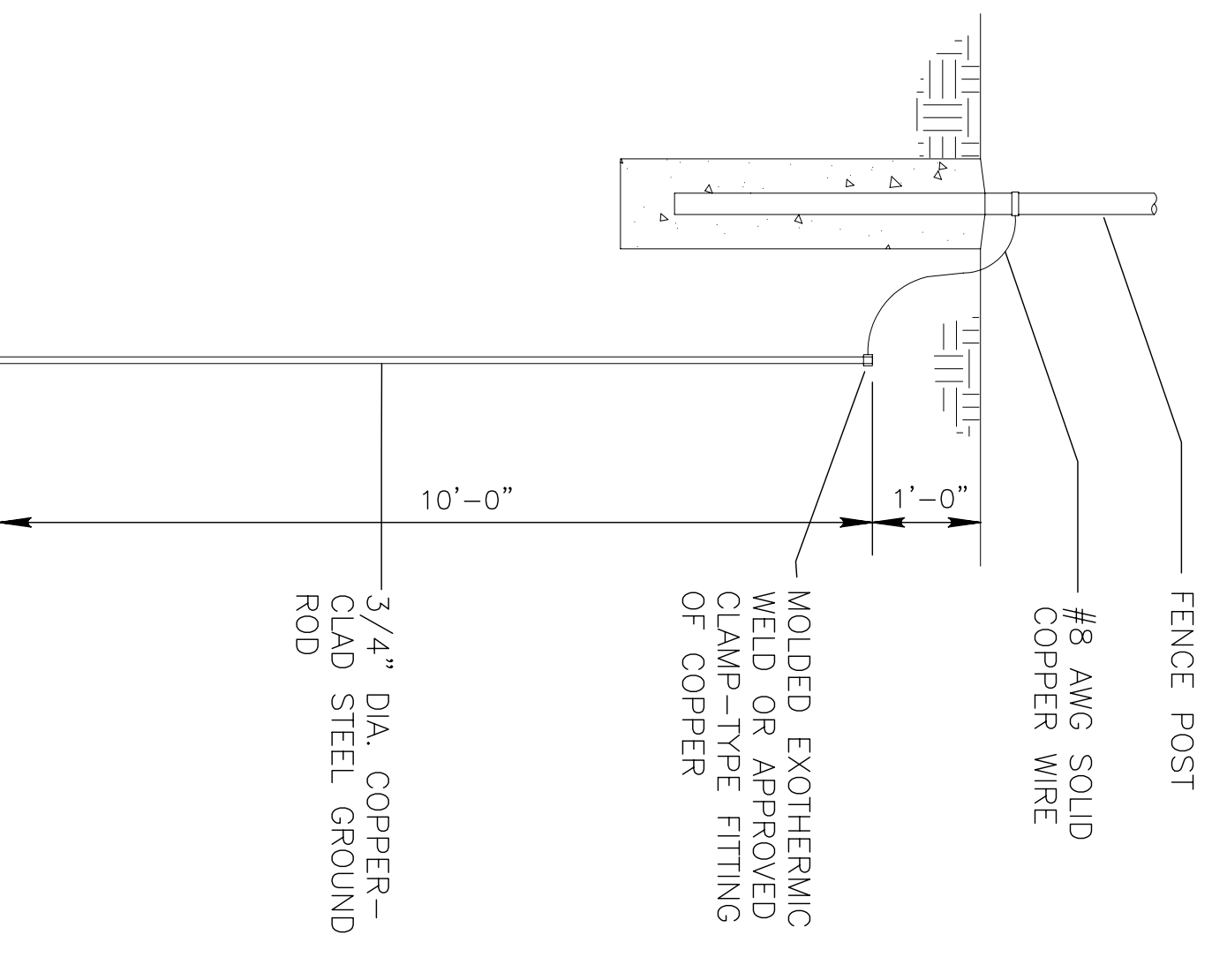
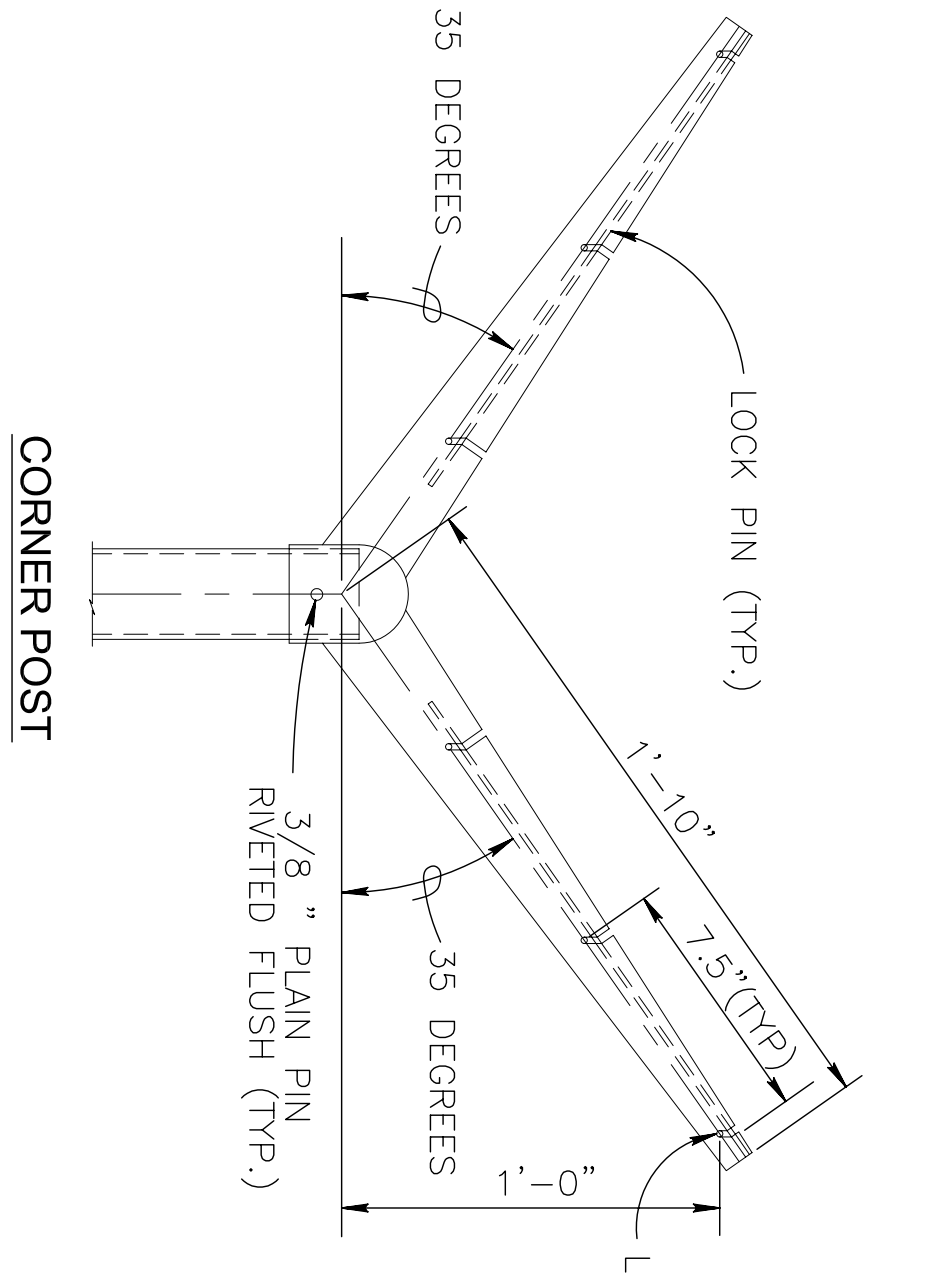
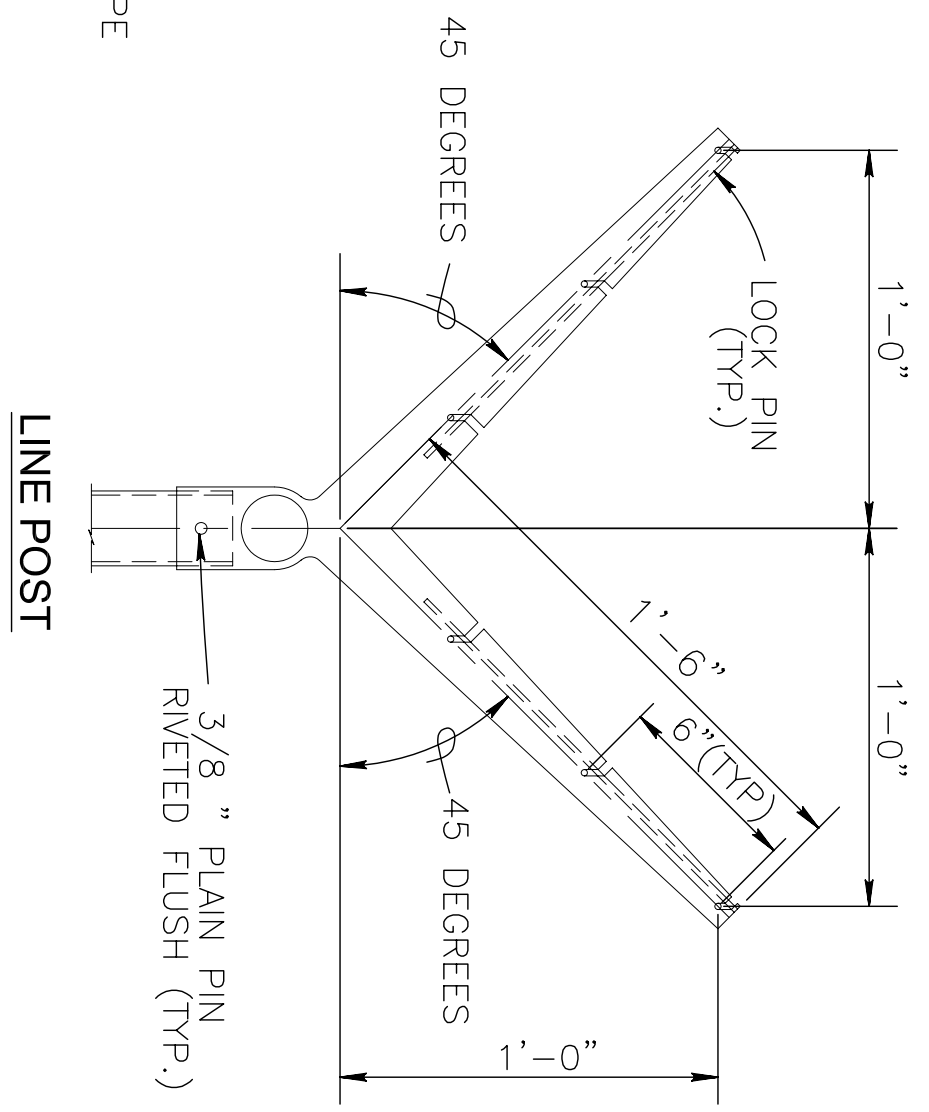
RECORD DRAWING
LETTER DATED -
5-27-10



BARBED-TAPE MOUNTING DETAIL
NOT TO SCALE
C1.4



CONNECTION DETAIL
NOT TO SCALE
C1.4



<p>DEPARTMENT OF THE NAVY NAVAL FACILITIES ENGINEERING COMMAND PT. GULF COAST</p> <p>NAVAL FACILITIES ENGINEERING COMMAND SOUTHEAST NAVAL AIR STATION JACKSONVILLE</p> <p>JOHN C. STENNIS SPACE CENTER MISSISSIPPI</p> <p>SOF RIVERINE AND COMBATANT CRAFT OPERATIONS FACILITY - PRE-FINAL</p> <p>SITE CIVIL DETAILS</p> <p>CODE ID NO. 14412 SIZE: 0</p> <p>SCALE: AS SHOWN</p> <p>SIA PROJ. NO.: P-210</p> <p>WORK ORDER NO.: 510247</p> <p>CONSTR. CENTER NO.: N62267-05-D-0096</p> <p>NAFAC DRAWING NO.: 15026527</p> <p>SHEET 10 OF 132</p> <p>C1.4</p>	<p>DESIGNER: R. WITSE DRAWN: J. LOUHE</p> <p>REVIEWED BY: R. WITSE</p> <p>DATE: 11/17/09</p> <p>EMMETT G. DAMON REGISTERED PROFESSIONAL ENGINEER STATE OF MISSISSIPPI LICENSE NO. 9882</p> <p>DAMON ENGINEERING, INC. 1005 FLORIDA AVENUE SUITE 111 SLIDELL, LA 70688 (985) 649-5502 www.damoneng.com</p> <p>NAFAC</p>	<table border="1"> <tr> <th>SYMBOL</th> <th>DESCRIPTION</th> <th>DATE</th> <th>APPROVED</th> </tr> <tr> <td></td> <td>AS-BUILT</td> <td>3-12-10</td> <td>RW</td> </tr> <tr> <td></td> <td>REVISED AS PER URS COMMENTS 17 NOVEMBER 2009</td> <td>11-17-09</td> <td>RW</td> </tr> </table>	SYMBOL	DESCRIPTION	DATE	APPROVED		AS-BUILT	3-12-10	RW		REVISED AS PER URS COMMENTS 17 NOVEMBER 2009	11-17-09	RW
SYMBOL	DESCRIPTION	DATE	APPROVED											
	AS-BUILT	3-12-10	RW											
	REVISED AS PER URS COMMENTS 17 NOVEMBER 2009	11-17-09	RW											