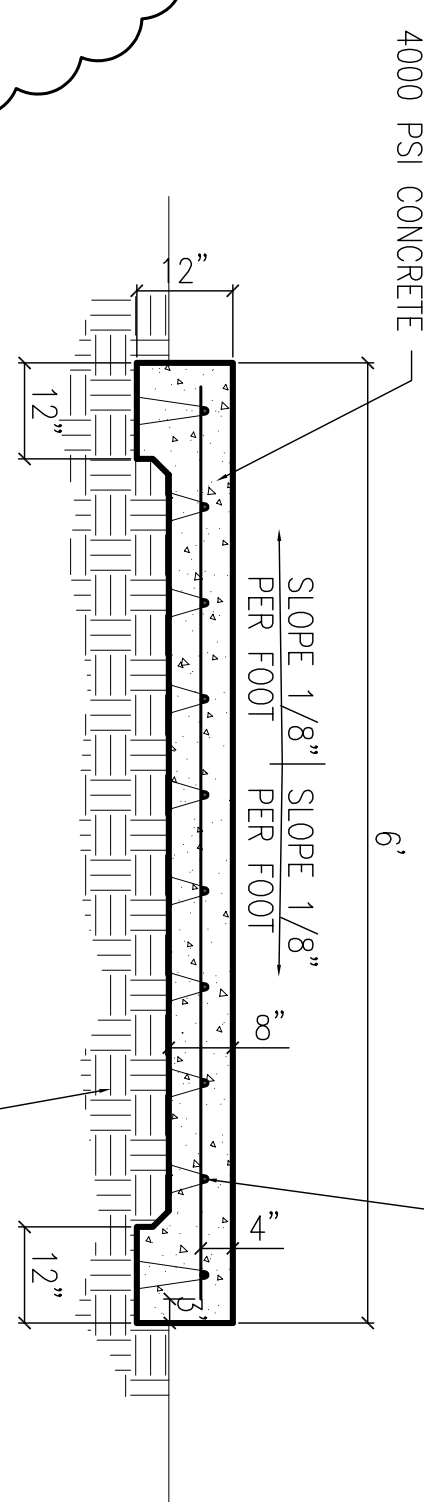


10 SINGLE LEAF SWING GATE DETAIL  
NOT TO SCALE  
C1.1

**TURNSTILE NOTES**

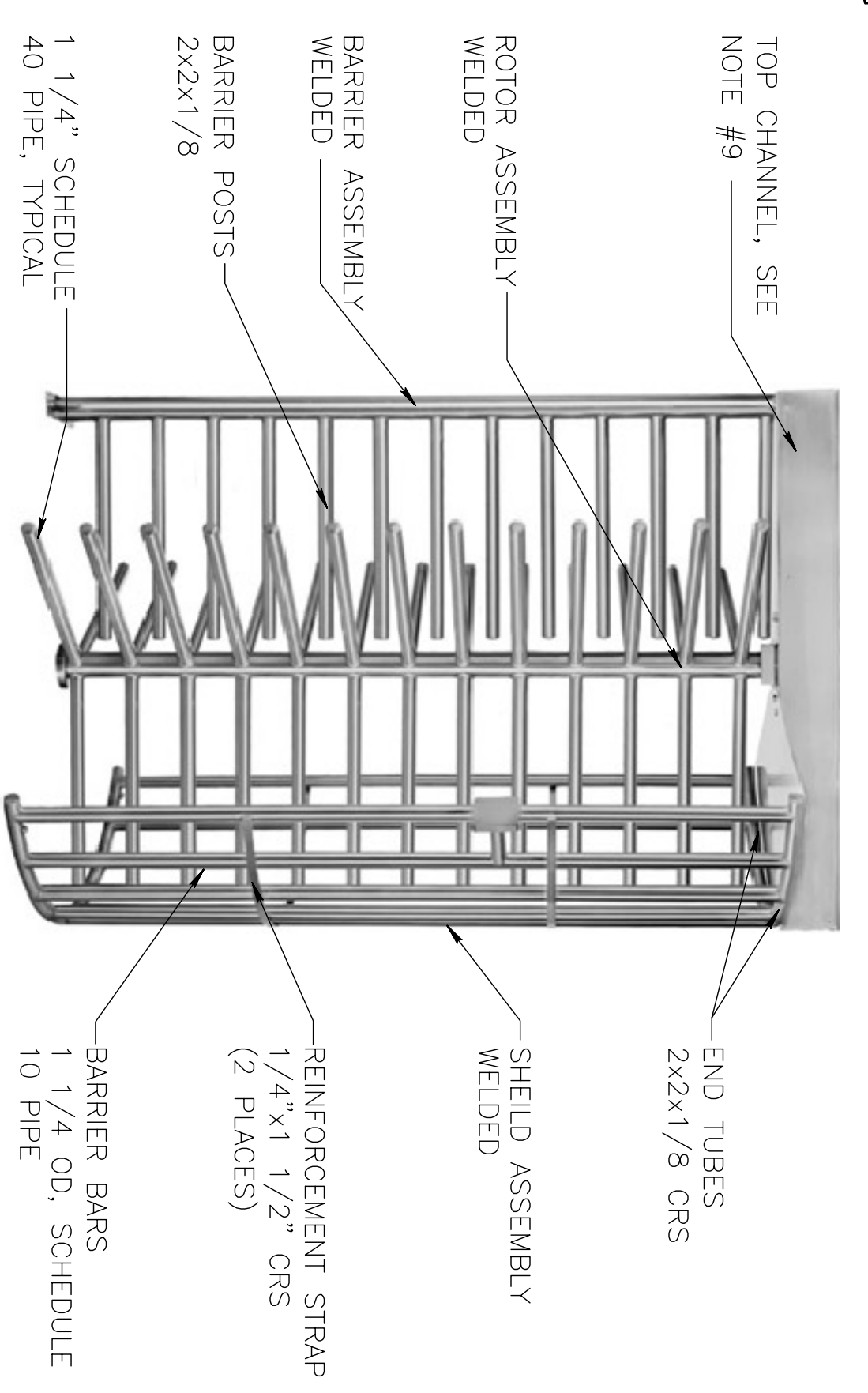
1. TURNSTILE SHALL BE COMPOSED OF CARBON STEEL. ALL MATERIALS SHALL BE HOT-DIPPED GALVANIZED IN ACCORDANCE WITH ASTM A123.
2. TURNSTILE SHALL HAVE BI-DIRECTIONAL CONTROLS. IN THE CASE OF A POWER FAILURE, OUTBOUND TRAFFIC SHALL BE SET TO "FAIL SAFE"; THE INBOUND TRAFFIC WILL HAVE A "FAIL LOCK" MECHANISM (UNLESS OTHERWISE DIRECTED BY THE CONTRACTING OFFICER).
3. PROVIDE CARD READER MOUNTING PLATES FOR BOTH SIDES (INBOUND & OUTBOUND) OF TURNSTILE. CARD READER WILL BE INSTALLED BY THE ACTIVITY AT A LATER DATE.
4. BRACE BARRIER POST AT TOP TO ADJACENT VERTICAL SURFACE.
5. ALLOW 5 INCH CLEARANCE ABOVE TOP OF TURNSTILE TO REMOVE LIFT-OFF TYPE TOP COVER.
6. CONCRETE MOUNTING SLAB MUST BE LEVEL WITHIN 1/4". SEE DETAIL OF CONCRETE MOUNTING PAD.
7. CONTRACTOR SHALL PROVIDE AN ELECTRICAL 3-ROTOR FULL HEIGHT TURNSTILE AS MANUFACTURED BY TOMSED, MODEL TH1-100ECP(3), OR APPROVED EQUAL.
8. TURNSTILE SHALL HAVE FINISH TO MATCH ADJACENT FENCEWORK: POLYVINYL CHLORIDE (PVC) COATING (GREEN) OVER ZINC-COATED STEEL FENCE COMPONENTS.
9. INSTALL 2 STRANDS OF BARBED WIRE WITH CONCERTINA WIRE (SAME AS FENCE) OVER TOP CHANNEL OF TURNSTILE (BETWEEN ADJACENT FENCE POSTS) TO HINDER SCALING UNIT.



11 TURNSTILE MOUNTING SLAB  
NOT TO SCALE  
C1.6

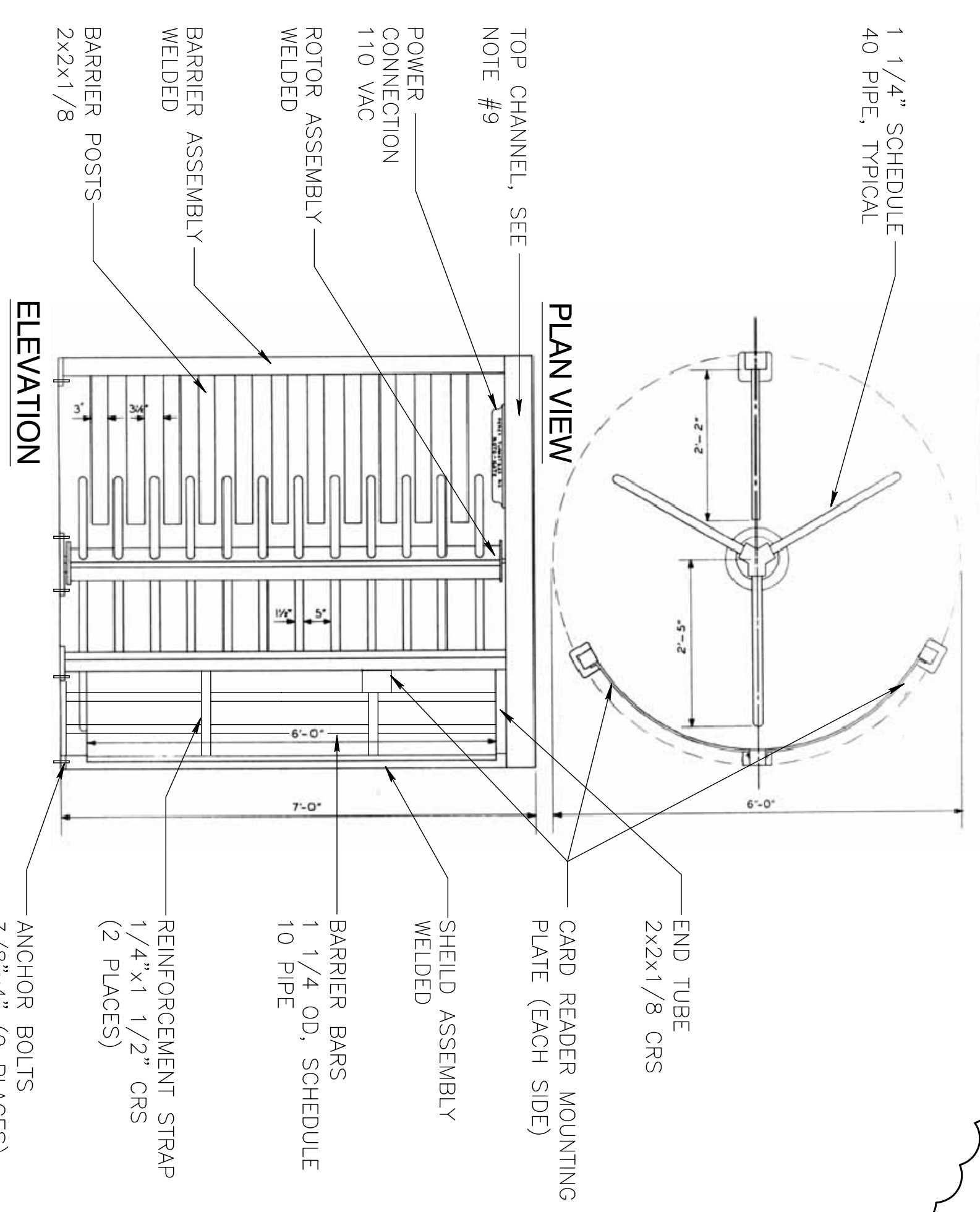


RECORD DRAWING  
LETTER DATED -  
5-27-10

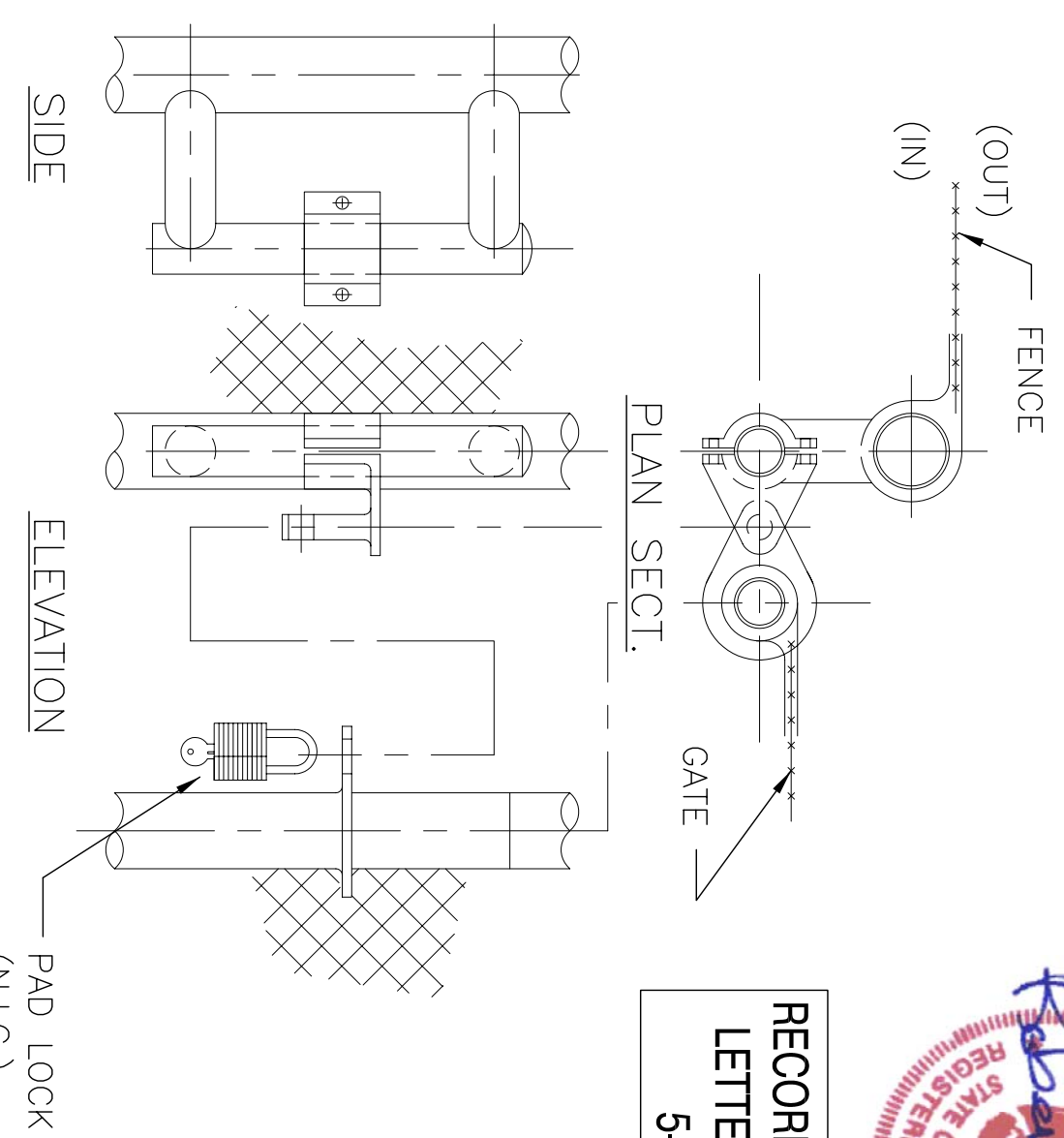


11 TURNSTILE ISOMETRIC  
NOT TO SCALE  
C1.1

TURNSTILE NOT USED

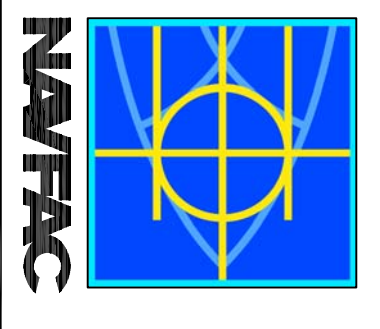


12 TURNSTILE PLAN & ELEVATION  
NOT TO SCALE  
C1.1



13 GATE LATCH DETAIL  
NOT TO SCALE  
C1.6

SYMBOL	DESCRIPTION	DATE	APPR	RW
	AS-BUILT CONDITIONS SHOWN	3-12-10		RW
	REVISED AS PER URS COMMENTS 17 NOVEMBER 2009	11-17-09		RW
	REVISED AS PER URS COMMENTS 9 OCTOBER 2009	11-6-09		RW



**DAMMON ENGINEERING, INC.**  
REGISTERED PROFESSIONAL ENGINEER  
STATE OF MISSISSIPPI  
DAMMON, P. E. & ASSOCIATES  
SIOLOLL, LA 70359  
(985) 649-4312  
www.dammoneng.com

DES. R. WITSE  
CHECKED BY: R. WITSE  
DRAWN: J. LOOISE  
PROJECT: NAVAL FACILITIES ENGINEERING COMMAND SOUTHEAST  
NAVAL AIR STATION JACKSONVILLE  
MISSISSIPPI

DEPARTMENT OF THE NAVY  
NAVAL FACILITIES ENGINEERING COMMAND SOUTHEAST  
NAVAL AIR STATION JACKSONVILLE  
MISSISSIPPI  
**JOHN C. STENNIS SPACE CENTER**  
**SOF OPERINE AND COMBATANT CRAFT OPERATIONS FACILITY - PRE-FINAL**  
SITE CIVIL DETAILS  
CODE ID NO. N4412 | SIZE: D  
SCALE: AS SHOWN  
DRAWING NO.: #####  
SIA PROJ. NO.: P-210  
WORK ORDER NO.: S10247  
CONTR. CENTER NO.: N62467-05-0-0096  
NAVFAC DRAWING NO.: 15026559  
SHEET: 12 OF 132  
C16