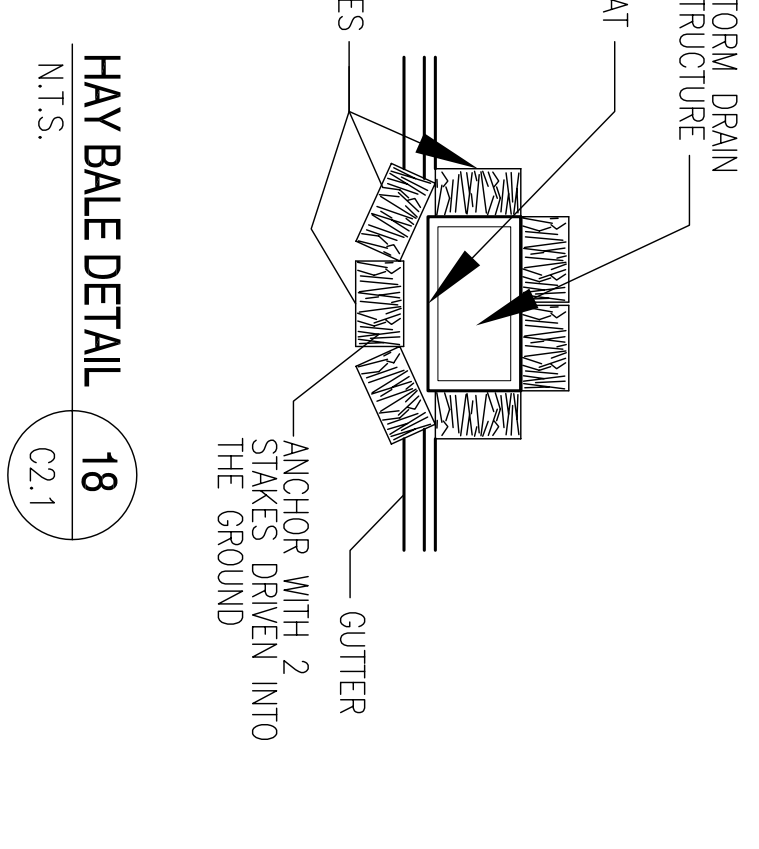
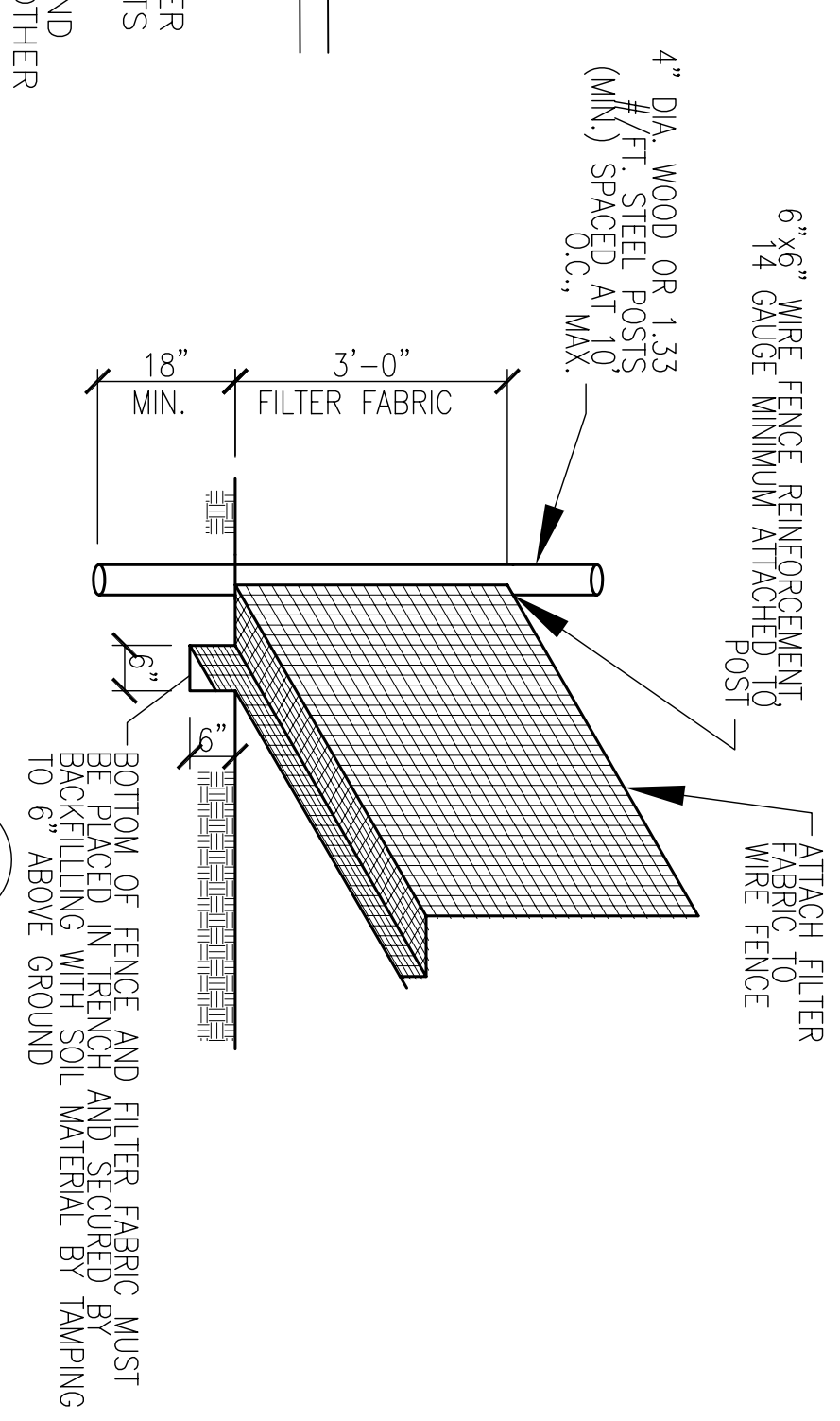
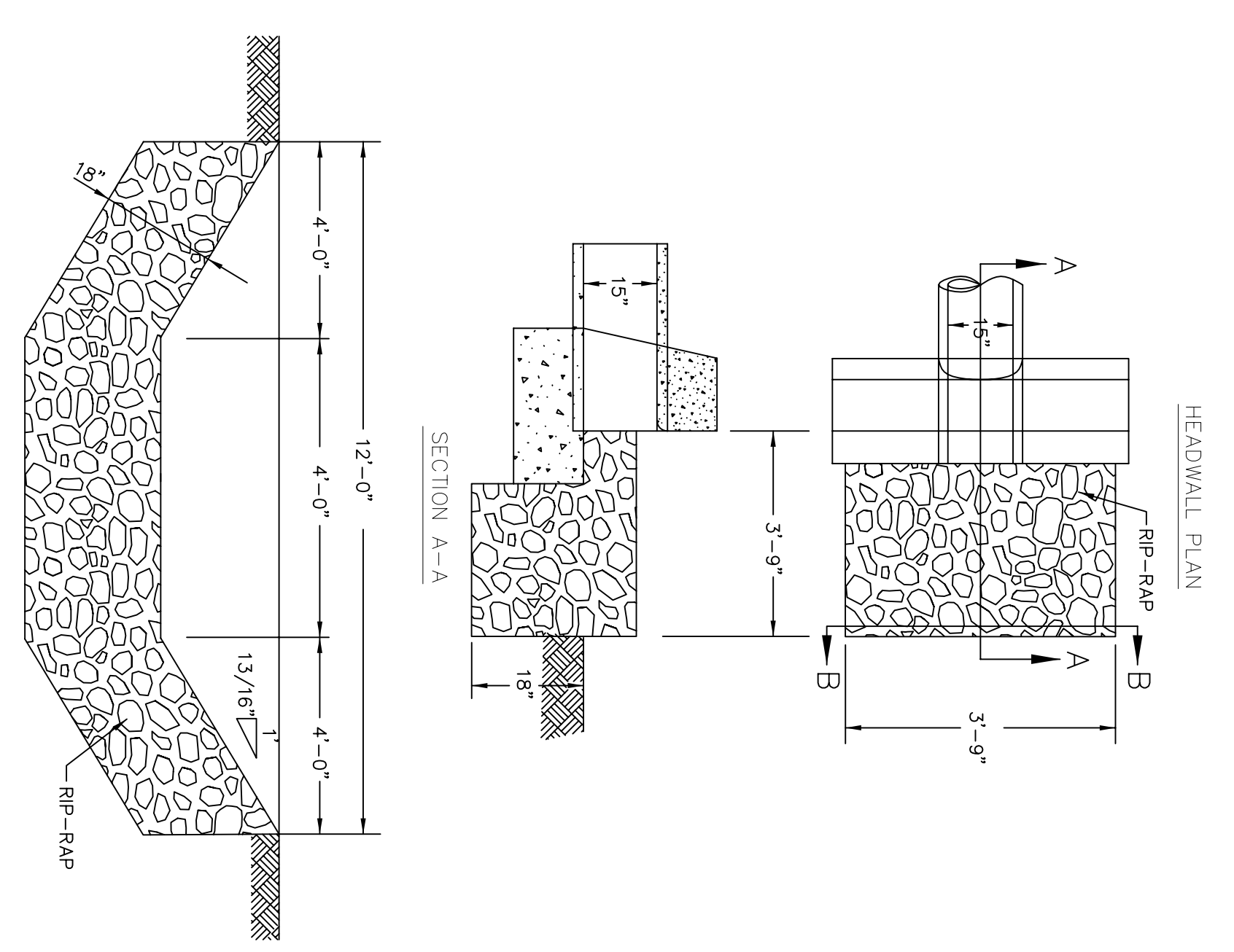
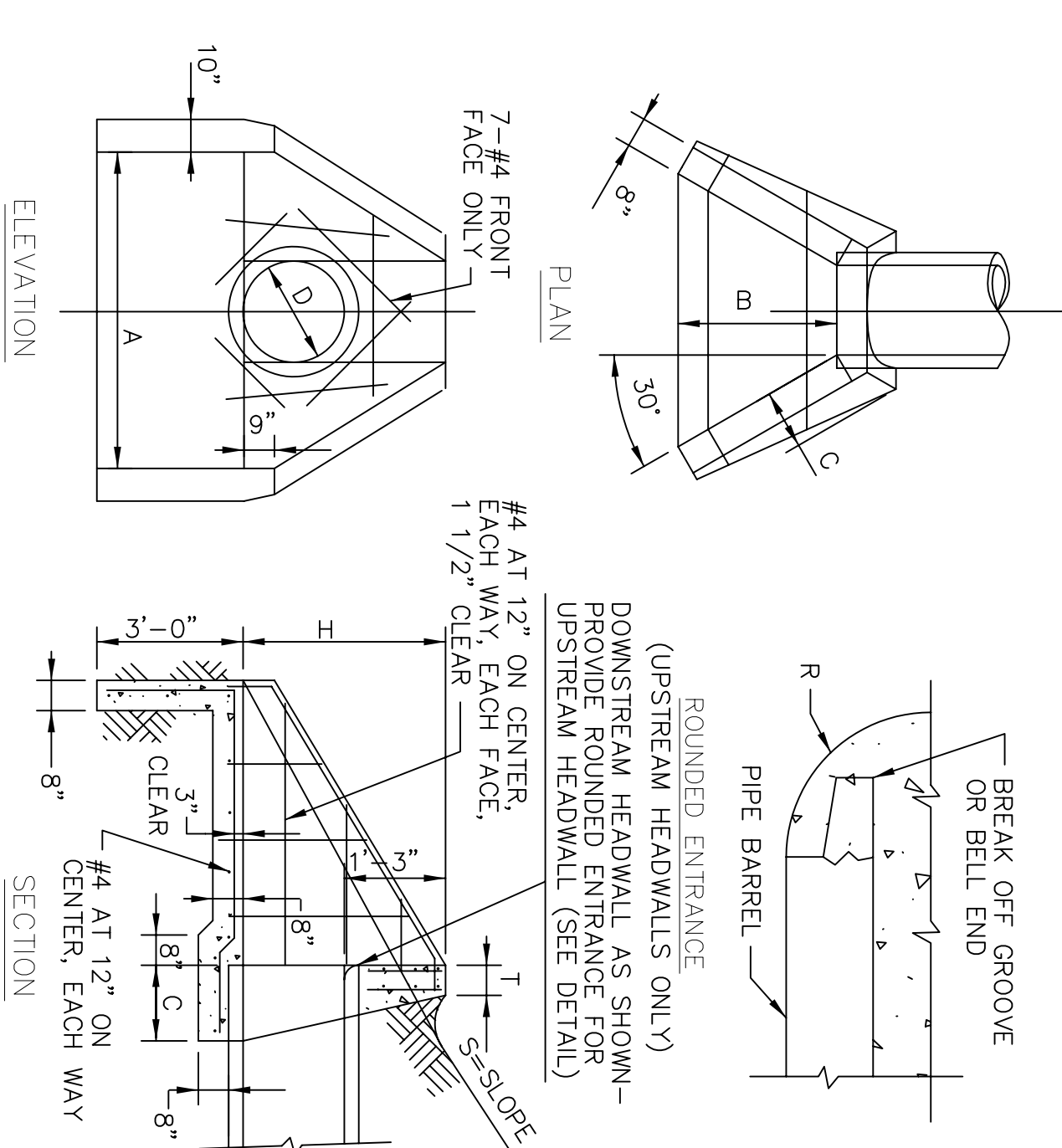
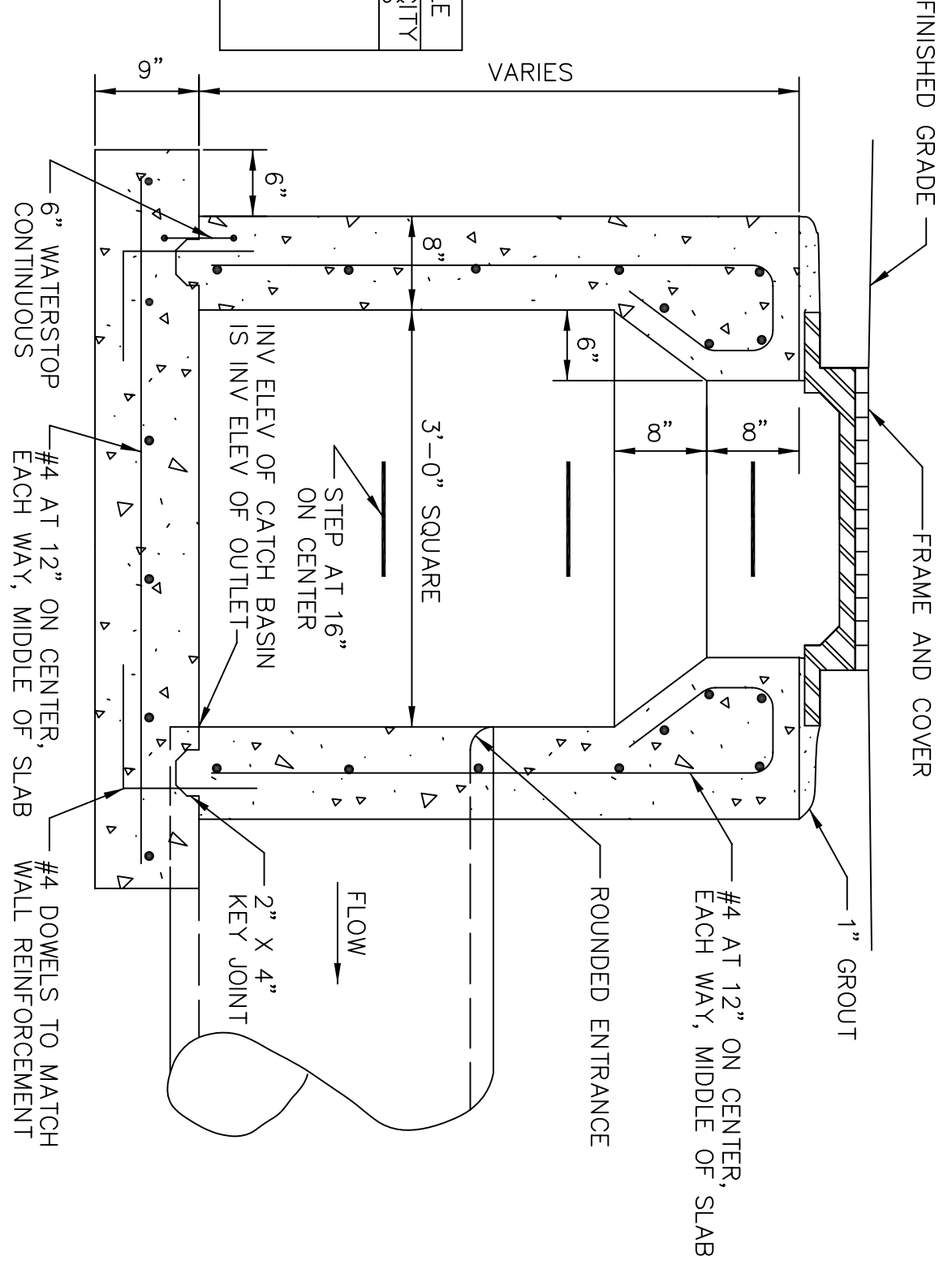
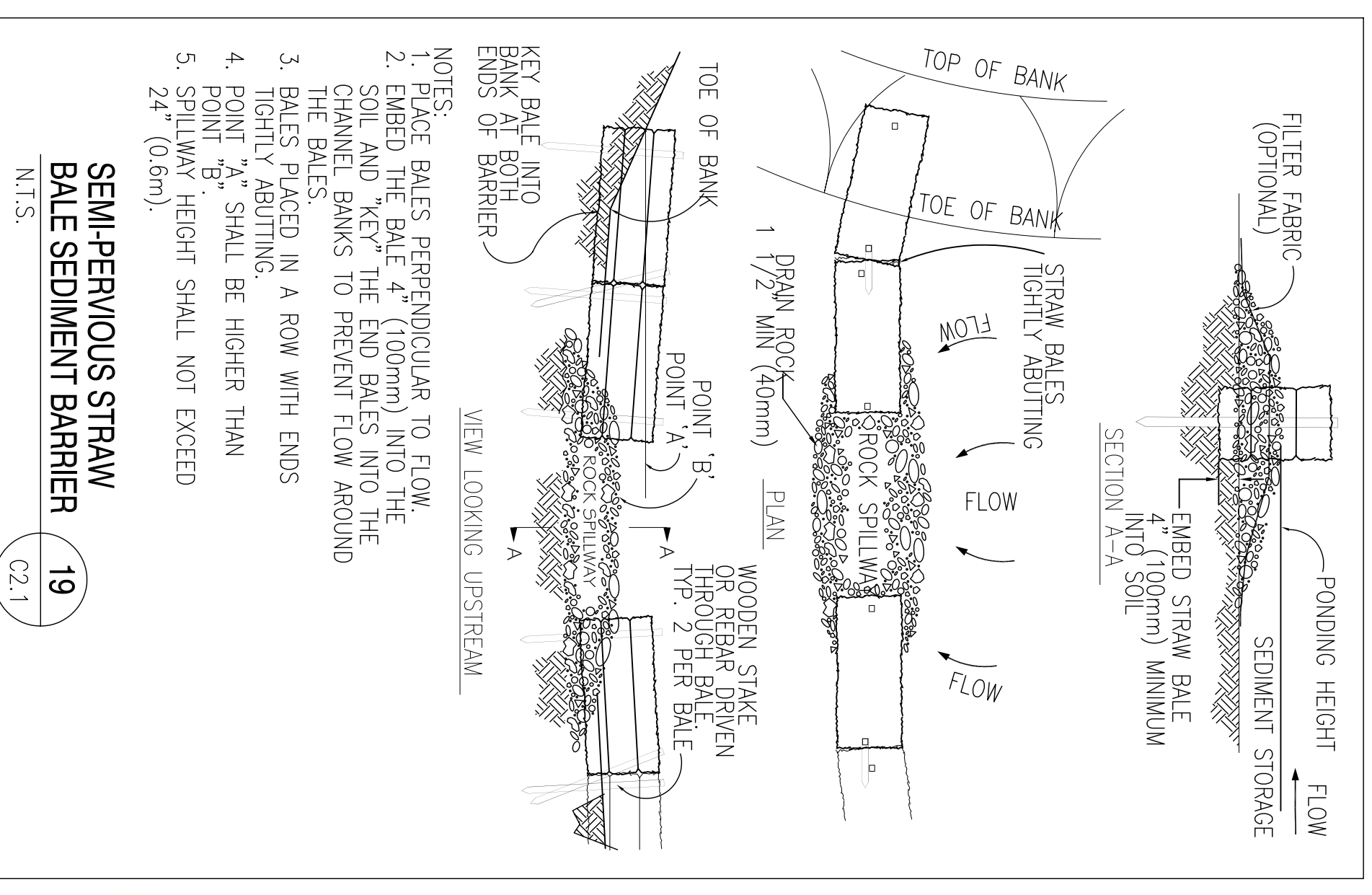
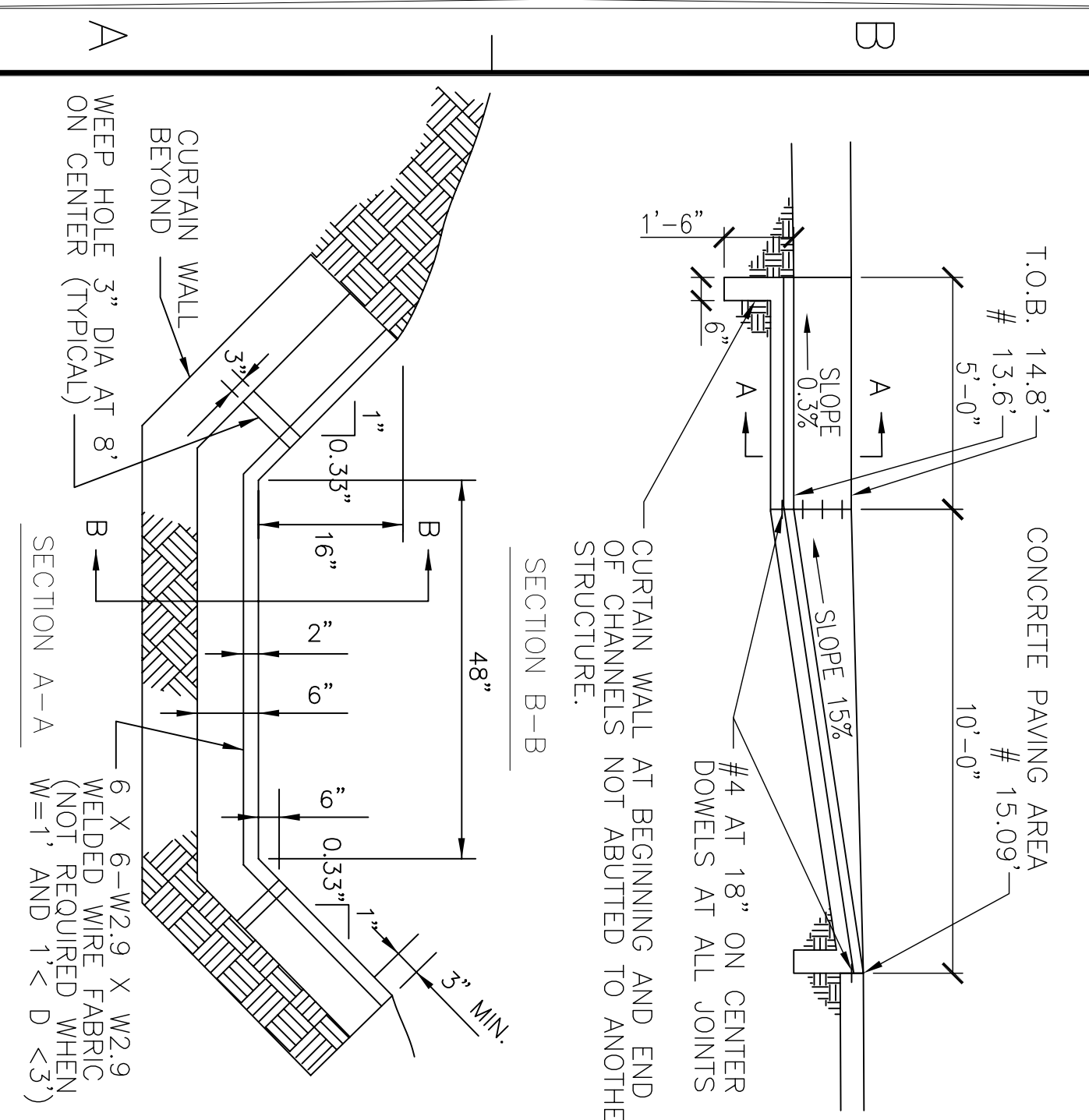


CAPACITY TABLE	HEAD CAPACITY	FEET
0.2	2.4	0.2
0.4	3.4	0.4
0.6	4.2	0.6
0.8	4.9	0.8
1.0	5.4	1.0



METHOD FOR SILT FENCE INSTALLATION

- 1) THE BASE OF BOTH END POSTS MUST BE AT LEAST 2'-4" ABOVE THE TOP OF THE SILT FENCE FABRIC ON THE MIDDLE POSTS FOR DITCH CHECKS TO DRAIN PROPERLY. USE A HAND LEVEL OR STRING LEVEL. IF NECESSARY, TO MARK BASE POINTS BEFORE INSTALLATION.
- 2) INSTALL POSTS 3-4 FEET APART IN CRITICAL WATER RETENTION AREAS AND 6-7 FEET APART ON STANDARD APPLICATIONS.
- 3) FROM UPSTREAM WATER PRESSURE.
- 4) INSTALL POSTS WITH THE NIPPLES FACING AWAY FROM THE SILT FENCE FABRIC.
- 5) ATTACH THE FABRIC TO EACH POST WITH THREE TIES. ALL SPACED WITHIN THE TOP 8" OF THE FABRIC. ATTACH EACH THE DIAGONALLY 45° THROUGH THE FABRIC, WITH EACH PUNCTURE AT LEAST 1" VERTICALLY APART. ADDITIONALLY, EACH THE SHOULD BE POSITIONED TO HANG ON A POST NIPPLE WHEN TIGHTENED TO PREVENT SAGGING.
- 6) WRAP APPROXIMATELY 6" OF FABRIC AROUND THE END POSTS AND SECURE WITH 3 TIES.
- 7) NO MORE THAN 24" OF A 36" FABRIC IS ALLOWED ABOVE GROUND LEVEL.
- 8) THE INSTALLATION SHOULD BE CHECKED AND CORRECTED FOR ANY DEVIATIONS BEFORE COMPACTION. USE A FLAT-BLADED SHOVEL TO TUCK FABRIC DEEPER INTO THE SILT IF NECESSARY.
- 9) COMPACTING IS VITALLY IMPORTANT FOR EFFECTIVE RESULTS. COMPACT THE SOIL IMMEDIATELY NEXT TO THE SILT FENCE FABRIC WITH THE FRONT WHEEL OF THE TRACTOR, SKID STEER, OR ROLLER EXERTING AT LEAST 60 PSI OF PRESSURE. COMPACT THE UPSTREAM SIDE FIRST, AND THEN EACH SIDE TWICE FOR A TOTAL OF FOUR TRIPS.



RECORD DRAWING
LETTER DATED -
5-27-10



SYMBOL	DESCRIPTION	DATE	APPROVED
	AS-BUILT	3-12-10	RW
	REVISED AS PER URS COMMENTS 9 OCTOBER 2009	11-6-09	RW

DESIGN: DAMON J. BRAY, C. DAMON J. ENGINEERING, INC.	REVIEWED BY: R. WILBER
PROJECT: SOF RIVERINE AND COMBATANT CRAFT OPERATIONS FACILITY - PRE-FINAL	DATE: 4/2009
LOCATION: MISSISSIPPI	

DEPARTMENT OF THE NAVY NAVAL FACILITIES ENGINEERING COMMAND NAVAL FACILITIES ENGINEERING COMMAND SOUTHEAST PT. GULF COAST	NAVAL FACILITIES ENGINEERING COMMAND NAVAL AIR STATION JACKSONVILLE
JOHN C. STENNIS SPACE CENTER	MISSISSIPPI
SOFT RIVERINE AND COMBATANT CRAFT OPERATIONS FACILITY - PRE-FINAL	
DRAINAGE DETAILS	
SCALE: AS SHOWN	SIZE: 0
SHEET NO. 16	OF 132
DATE: 5-27-10	