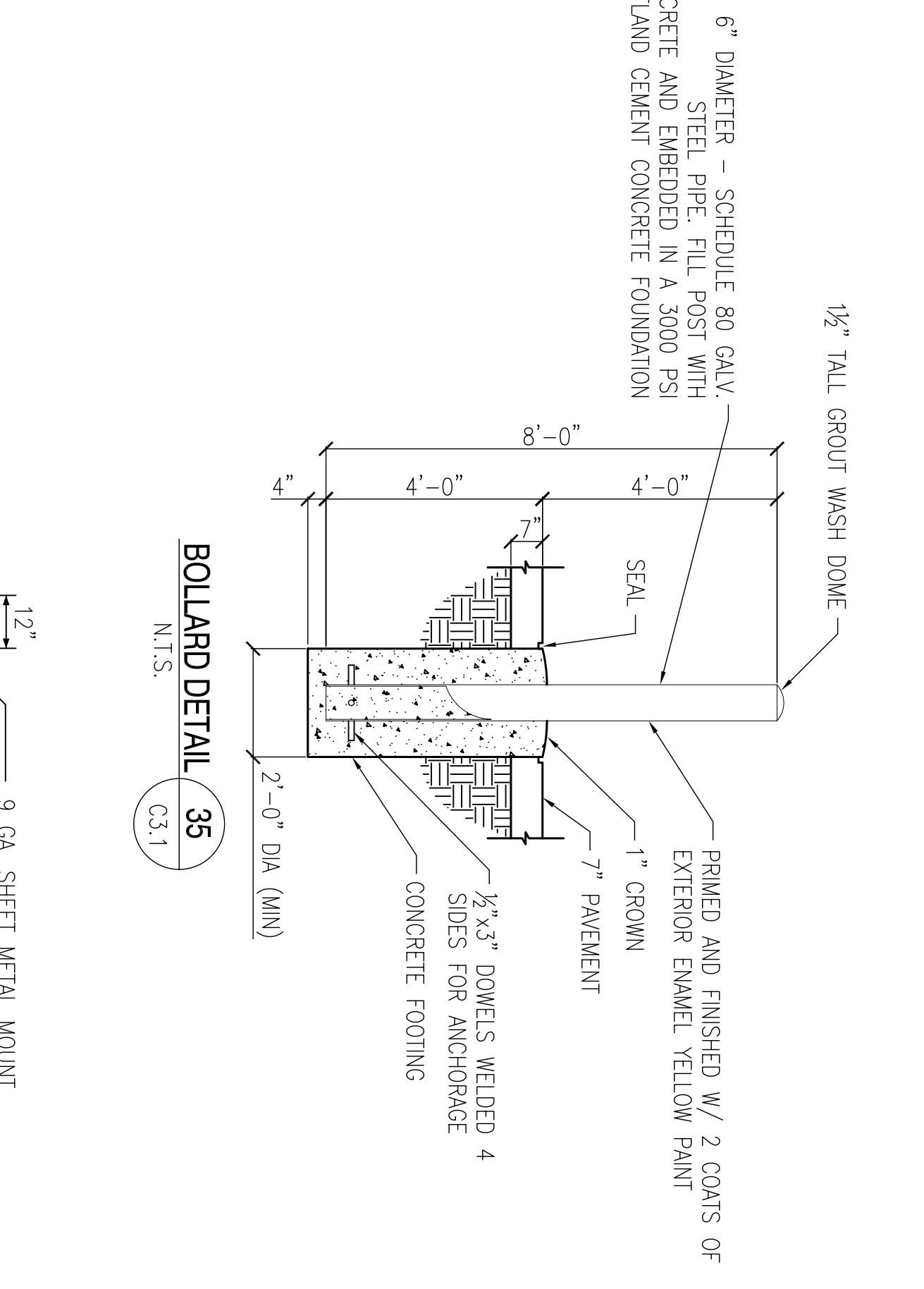
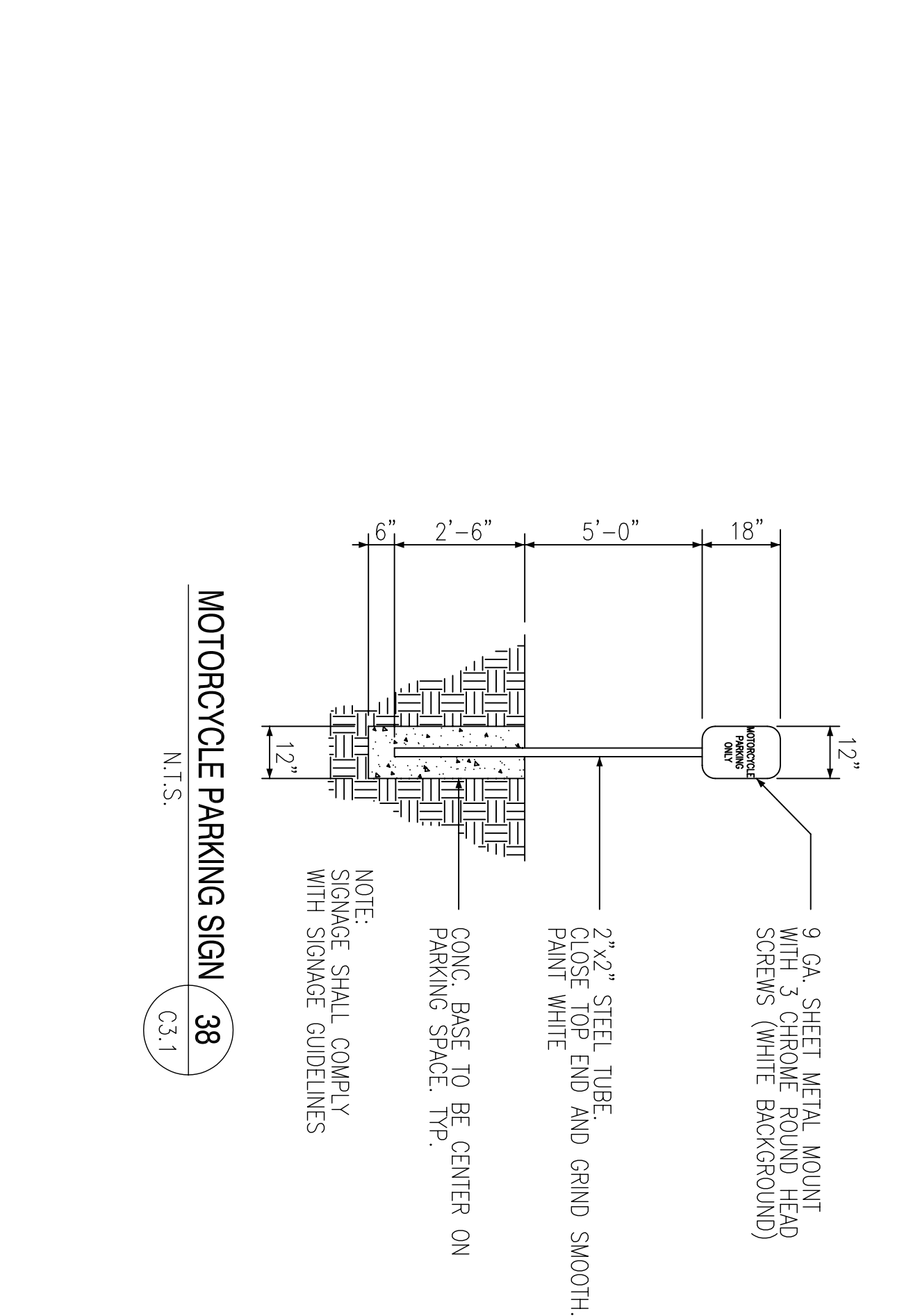


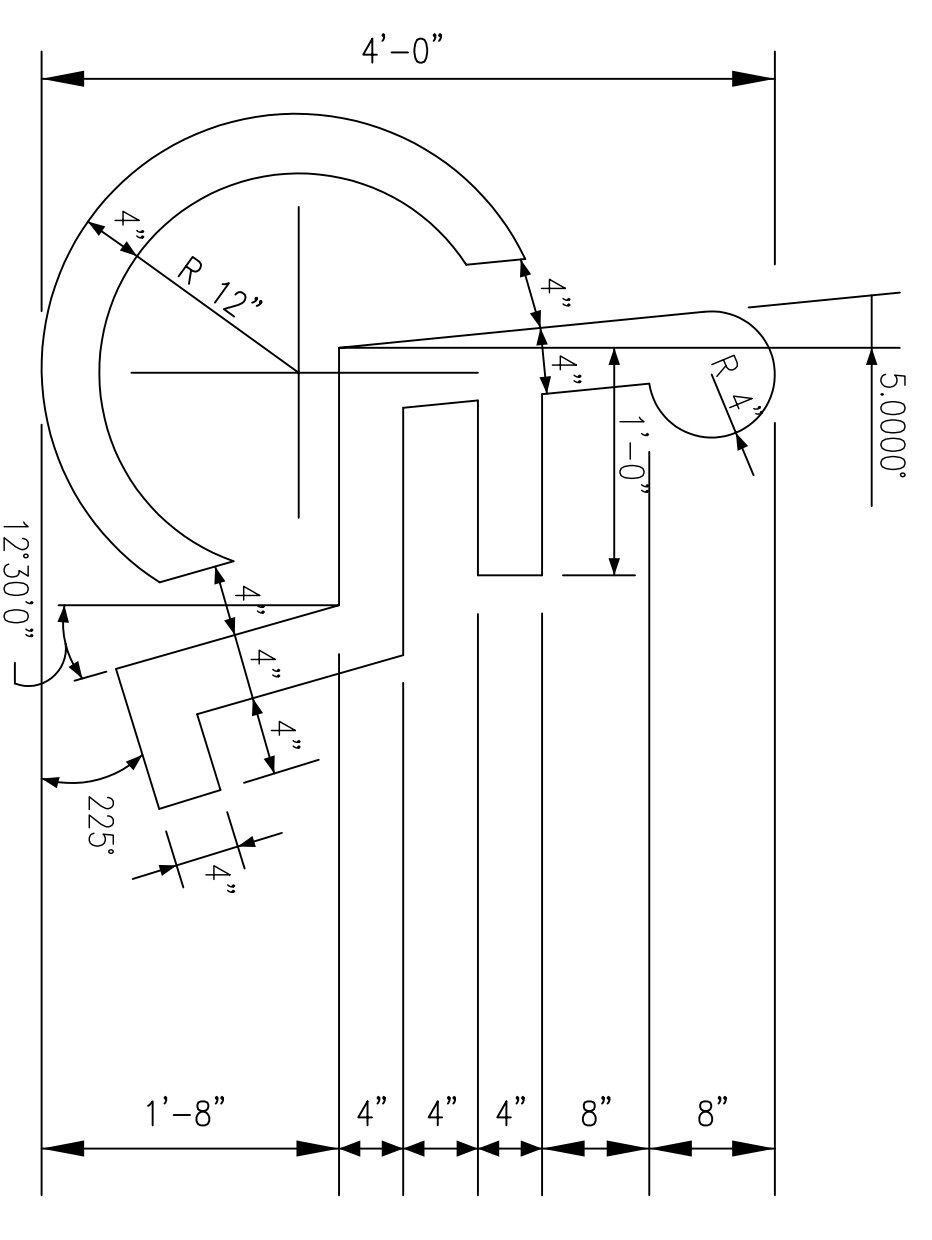
**LIGHT POLE FOUNDATION DETAIL**  
32  
NOT TO SCALE  
E1.5



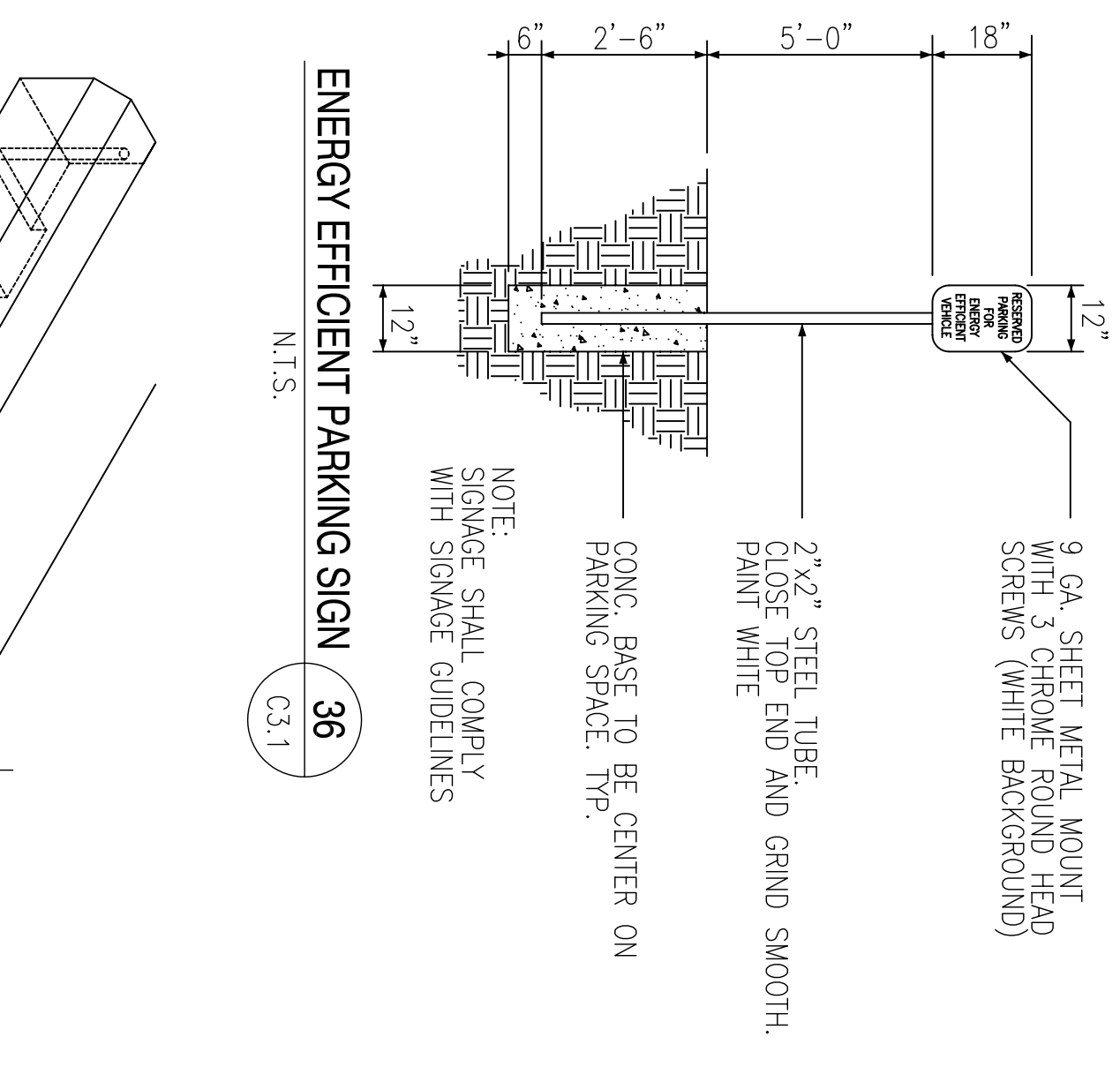
**BOLLARD DETAIL**  
35  
NOT TO SCALE  
C3.1



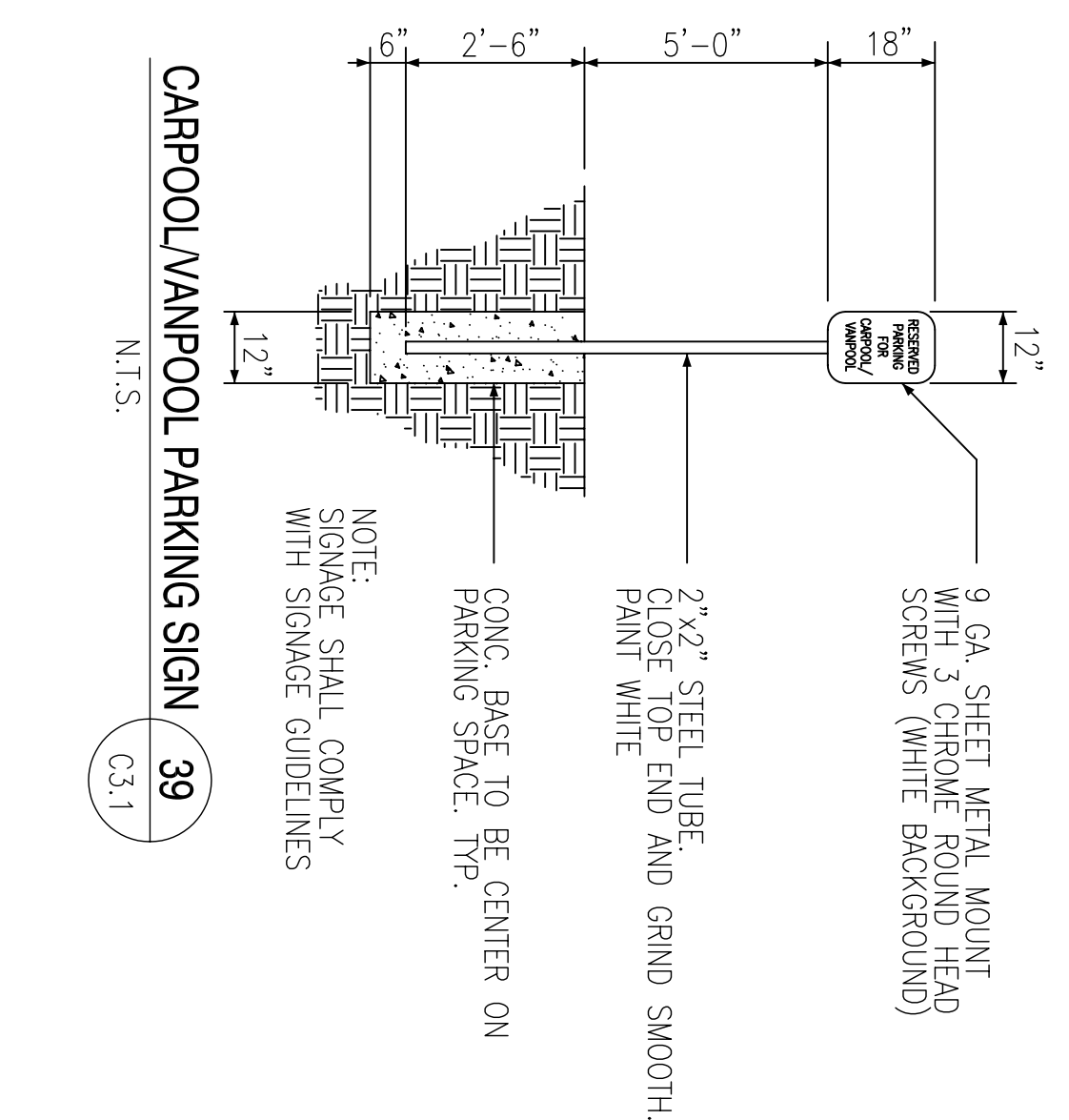
**MOTORCYCLE PARKING SIGN**  
38  
NOT TO SCALE  
C3.1



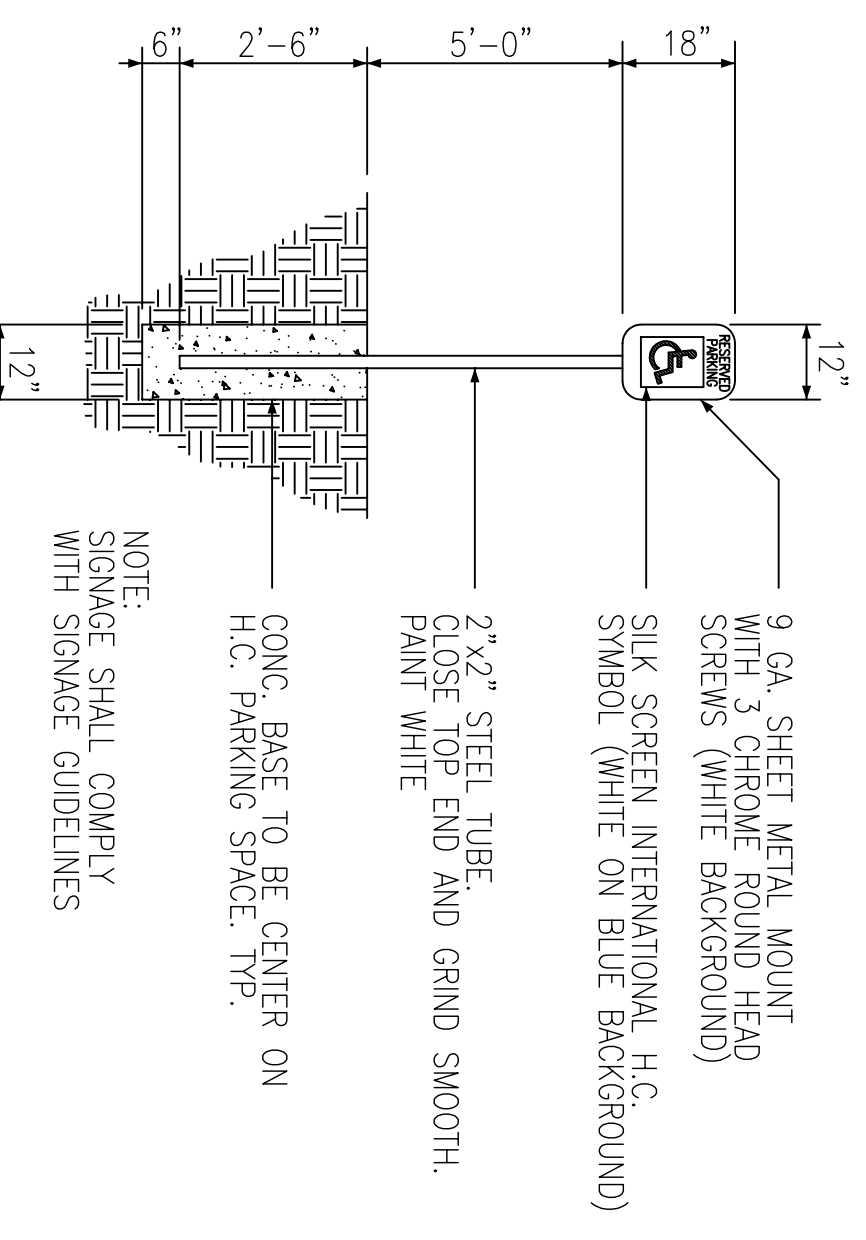
**HANDICAP SYMBOL DETAIL**  
33  
NOT TO SCALE  
C3.1



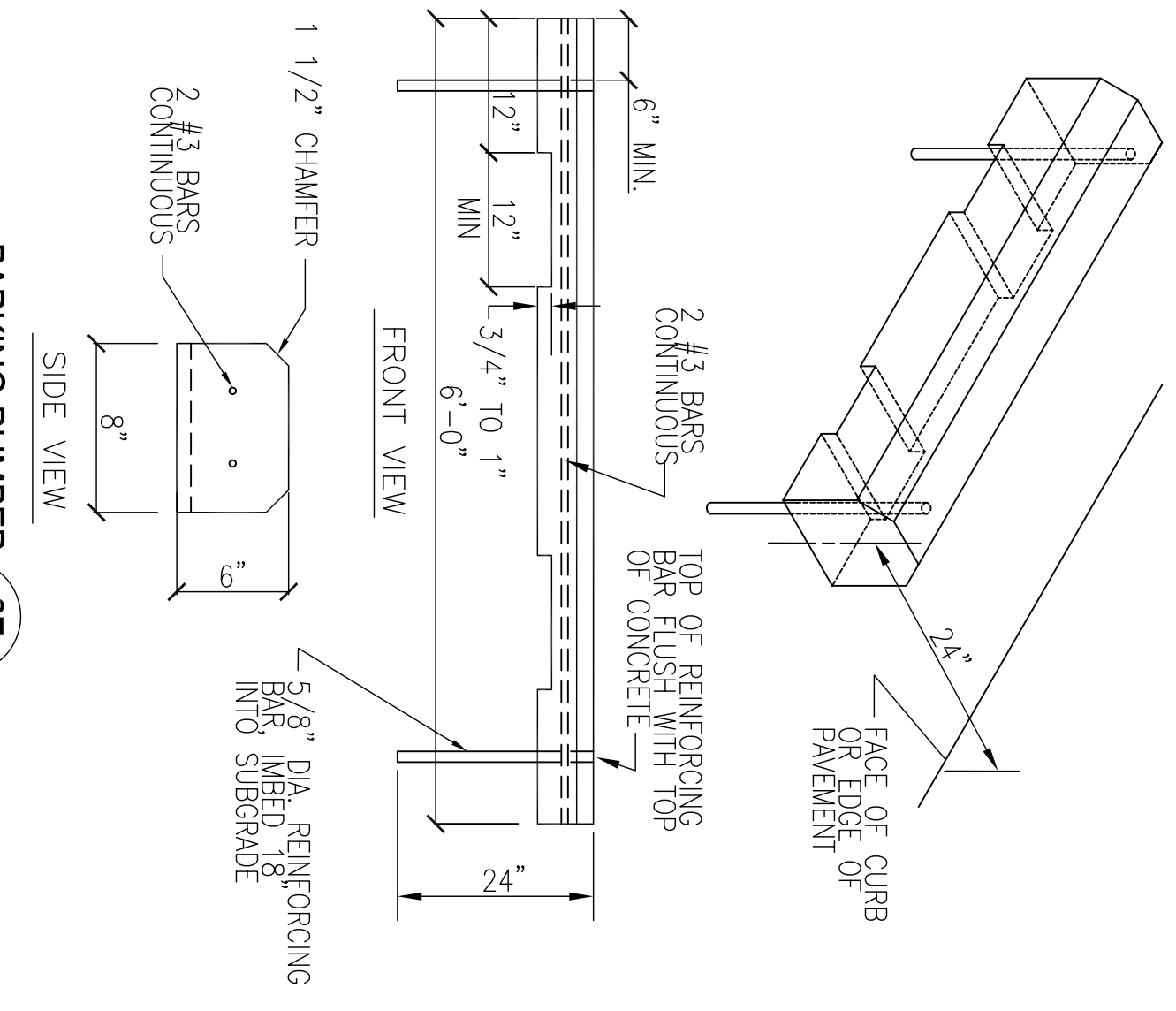
**ENERGY EFFICIENT PARKING SIGN**  
36  
NOT TO SCALE  
C3.1



**CARPOOL/VANPOOL PARKING SIGN**  
39  
NOT TO SCALE  
C3.1



**HANDICAP PARKING SIGN**  
34  
NOT TO SCALE  
C3.1



**PARKING BUMPER**  
37  
NOT TO SCALE  
C3.1

RECORD DRAWING  
LETTER DATED -  
5-27-10



<p>DEPARTMENT OF THE NAVY NAVAL FACILITIES ENGINEERING COMMAND NAVAL FACILITIES ENGINEERING COMMAND SOUTHEAST IPT GULF COAST</p> <p>MISSISSIPPI JOHN C. STENNIS SPACE CENTER SOF RIVERINE AND COMBATANT CRAFT OPERATIONS FACILITY - PRE-FINAL</p> <p>PAVING DETAILS</p>	<p>DESIGNER: R. WITSE DRAWN: J. TIFANAY CHECKED: L. LARBER IN CHARGE: P. DAMMON</p>	<p>EMMETT G. DAMMON REGISTERED PROFESSIONAL ENGINEER STATE OF MISSISSIPPI LICENSE NO. 9832</p>	<p>DAMMON ENGINEERING, INC. 1000 W. BAYVIEW BLVD. SUITE 100 DAMMONVILLE, LA 70638 (980) 649-8832</p>	<p>NAVFAC</p>	<table border="1"> <tr> <td>DATE</td> <td>3-12-10</td> <td>APPR</td> <td>RW</td> </tr> <tr> <td>DESCRIPTION</td> <td colspan="3">AS-BUILT CONDITIONS SHOWN</td> </tr> </table>	DATE	3-12-10	APPR	RW	DESCRIPTION	AS-BUILT CONDITIONS SHOWN		
DATE	3-12-10	APPR	RW										
DESCRIPTION	AS-BUILT CONDITIONS SHOWN												