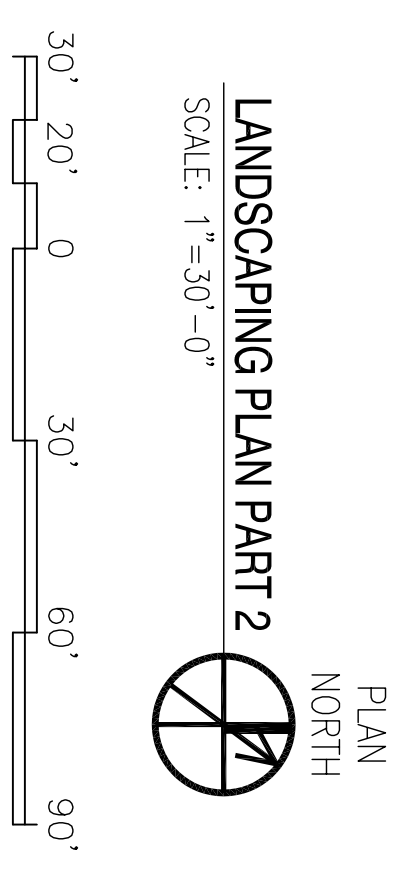
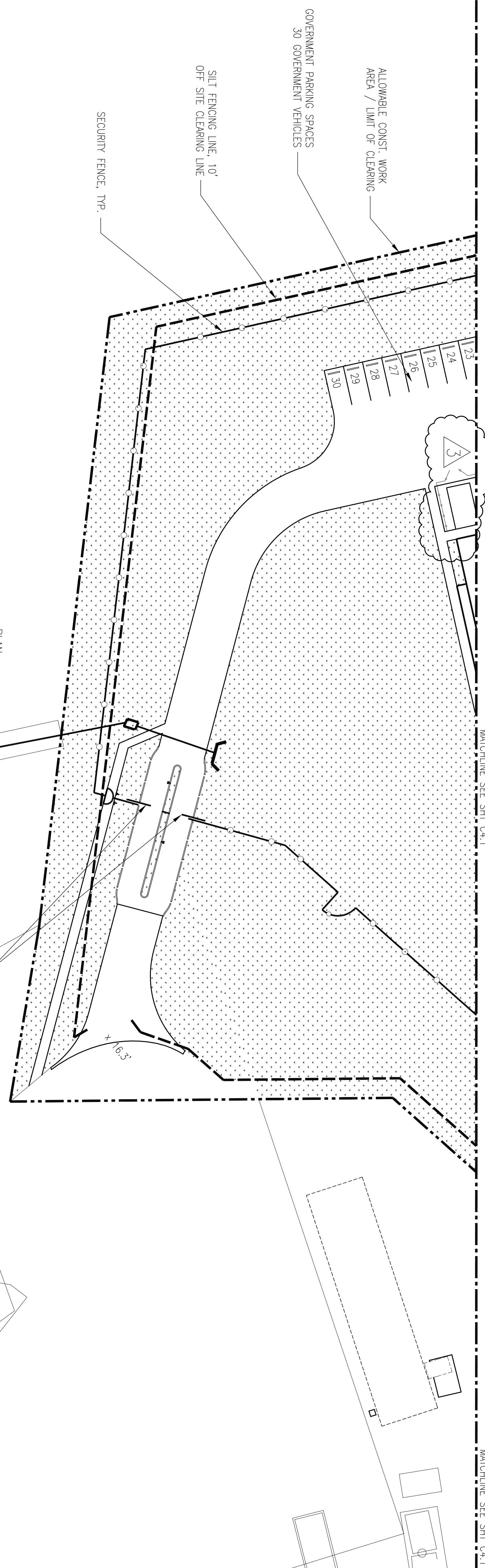


MATCHLINE SEE SHIT C4.1

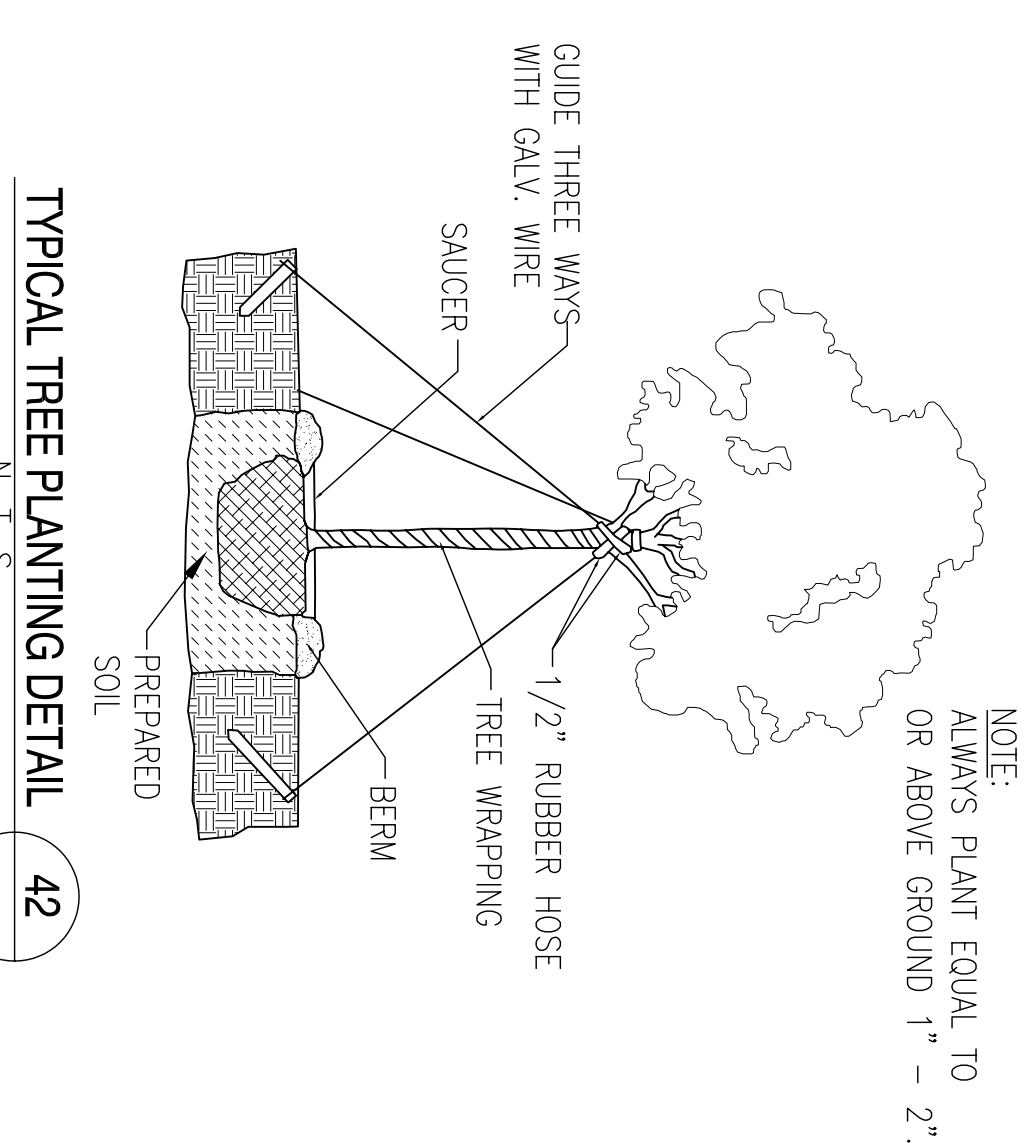
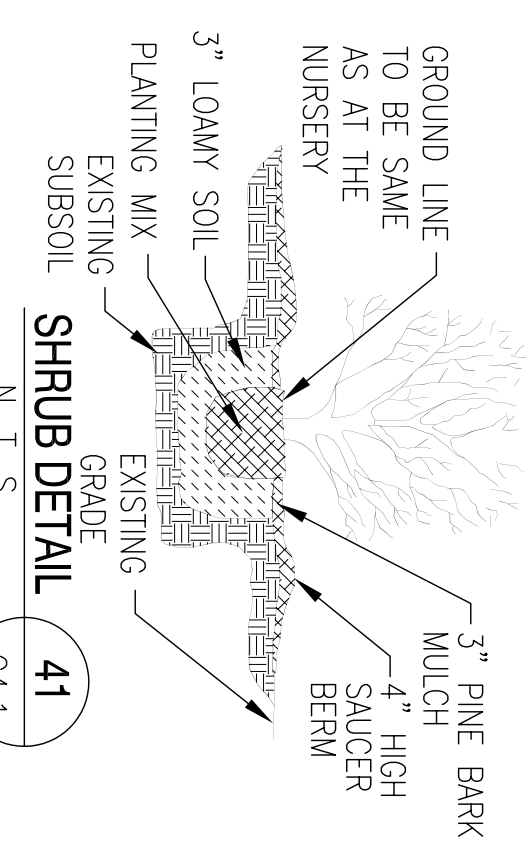
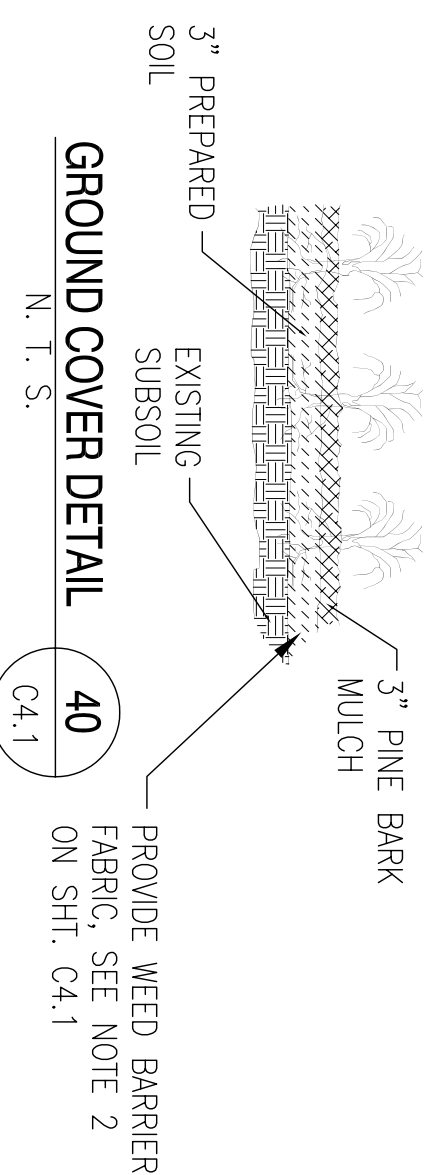
MATCHLINE SEE SHIT C4.1

MATCHLINE SEE SHIT C4.1

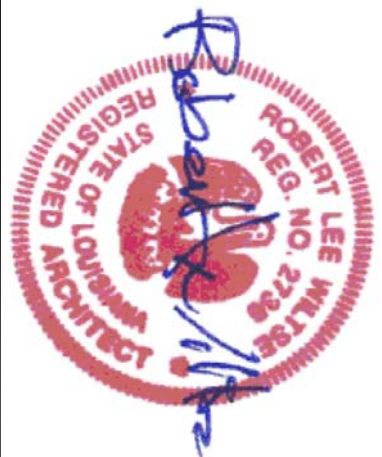


**LANDSCAPING LEGEND**

- NATIVE TYPE TREE ONLY IN ISLANDS. MAGNOLIA, QTY: 8, MINIMUM OF 10' TO 12' HIGH CALIPER OF 2 1/2" MEASURED AT 2 FT. ABOVE THE GROUND
- INDIAN HAWTHORN, QTY: 146 SHALL NOT EXCEED 4' IN HEIGHT AT MATURITY
- SOD OR HYDROSEEDING REF. LANDSCAPING NOTE #4



**RECORD DRAWING**  
LETTER DATED -  
5-27-10



DEPARTMENT OF THE NAVY <b>NAVAL FACILITIES ENGINEERING COMMAND SOUTHEAST</b> IPT GULF COAST MISSISSIPPI <b>JOHN C. STENNIS SPACE CENTER</b> <b>SOF OPERATIONS AND COMBATANT CRAFT ROVERINE FACILITY - PRE-FINAL</b> <b>LANDSCAPING PLAN PART 2</b>		DAMMON ENGINEERING, INC. CIVIL ENGINEER REGISTERED PROFESSIONAL ENGINEER STATE OF LOUISIANA SIOBIL, LA 70382 (985) 649-5832 EXPIRES 4/2025		EMMETT G. DAMMON LICENSED PROFESSIONAL ENGINEER STATE OF MISSISSIPPI 9662		RES: R. WITSE DRAW: J. MIFANI REVIEWED BY: R. WITSE PWD/LIN: T. ARBIB CHECK ENGINEER: P. DAMMON		AS-BUILT CONDITIONS SHOWN REVISED AS PER URS COMMENTS 17 NOVEMBER 2009 REVISED AS PER URS COMMENTS 9 OCTOBER 2009		3-12-10 11-17-09 11-6-09		RW RW RW					
CODE ID: NO. N4412 SCALE: AS SHOWN SHEET NO. P-210 WORK ORDER NO. 510247 CONSTR. CENTER NO. N62467-05-0-0096 NAFAC DRAWING NO. 15026689 SHEET 22 OF 132		C4.2		DEPARTMENT OF THE NAVY NAVAL FACILITIES ENGINEERING COMMAND SOUTHEAST IPT GULF COAST MISSISSIPPI <b>JOHN C. STENNIS SPACE CENTER</b> <b>SOF OPERATIONS AND COMBATANT CRAFT ROVERINE FACILITY - PRE-FINAL</b> <b>LANDSCAPING PLAN PART 2</b>		DAMMON ENGINEERING, INC. CIVIL ENGINEER REGISTERED PROFESSIONAL ENGINEER STATE OF LOUISIANA SIOBIL, LA 70382 (985) 649-5832 EXPIRES 4/2025		EMMETT G. DAMMON LICENSED PROFESSIONAL ENGINEER STATE OF MISSISSIPPI 9662		RES: R. WITSE DRAW: J. MIFANI REVIEWED BY: R. WITSE PWD/LIN: T. ARBIB CHECK ENGINEER: P. DAMMON		AS-BUILT CONDITIONS SHOWN REVISED AS PER URS COMMENTS 17 NOVEMBER 2009 REVISED AS PER URS COMMENTS 9 OCTOBER 2009		3-12-10 11-17-09 11-6-09		RW RW RW	

REVDATE:

A

B

C

D

1

2

3

4

5

A

B

C

D