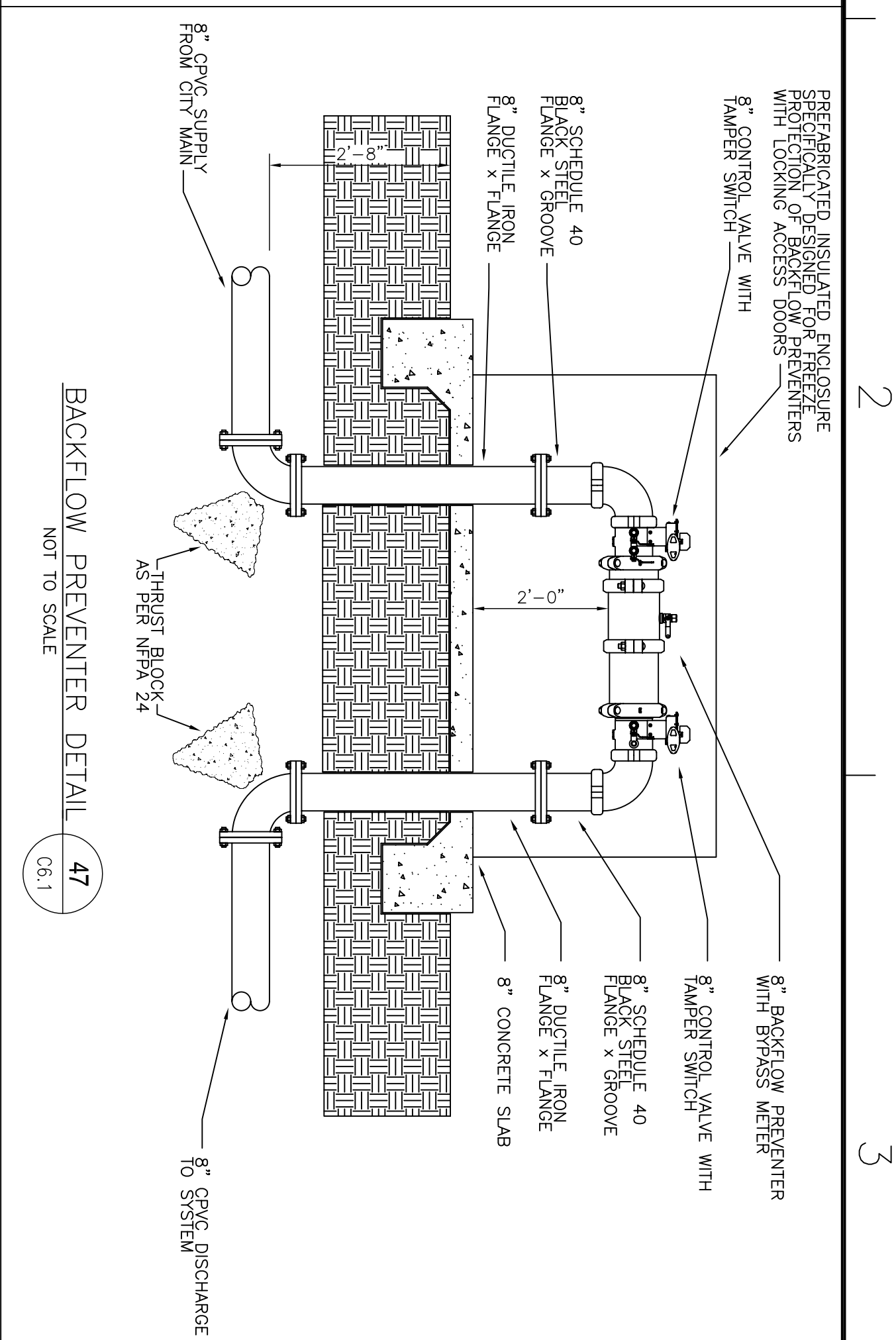
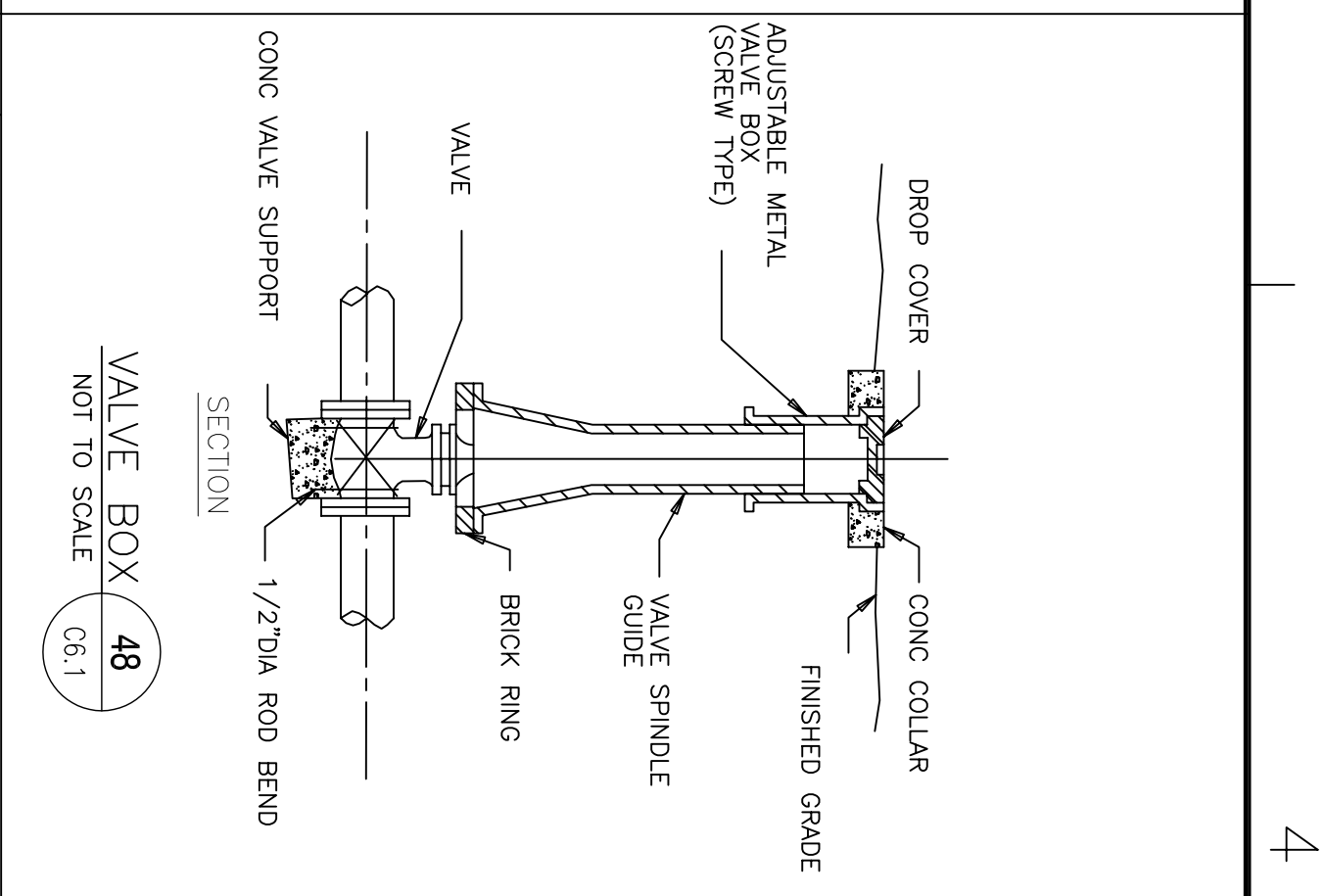


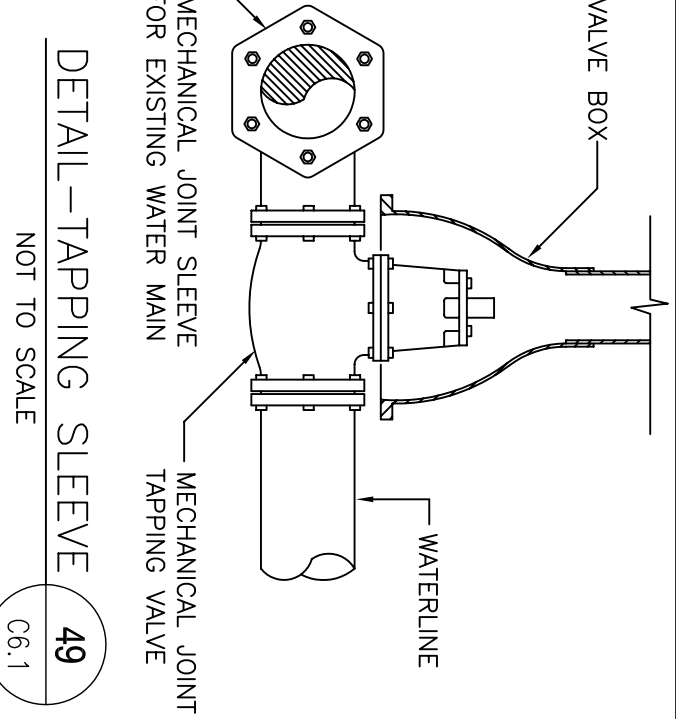
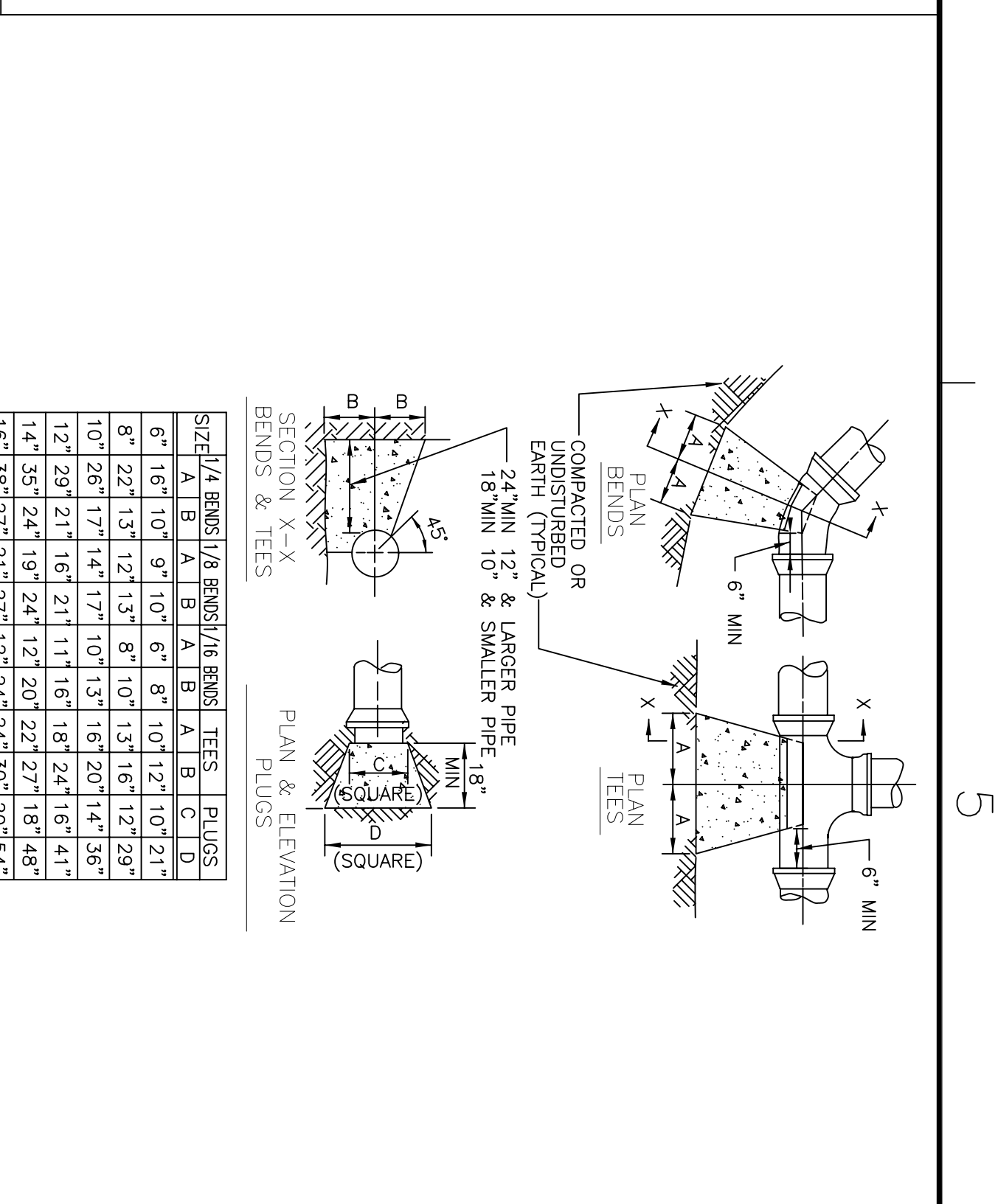
FIRE HYDRANT 46
NOT TO SCALE
06.1



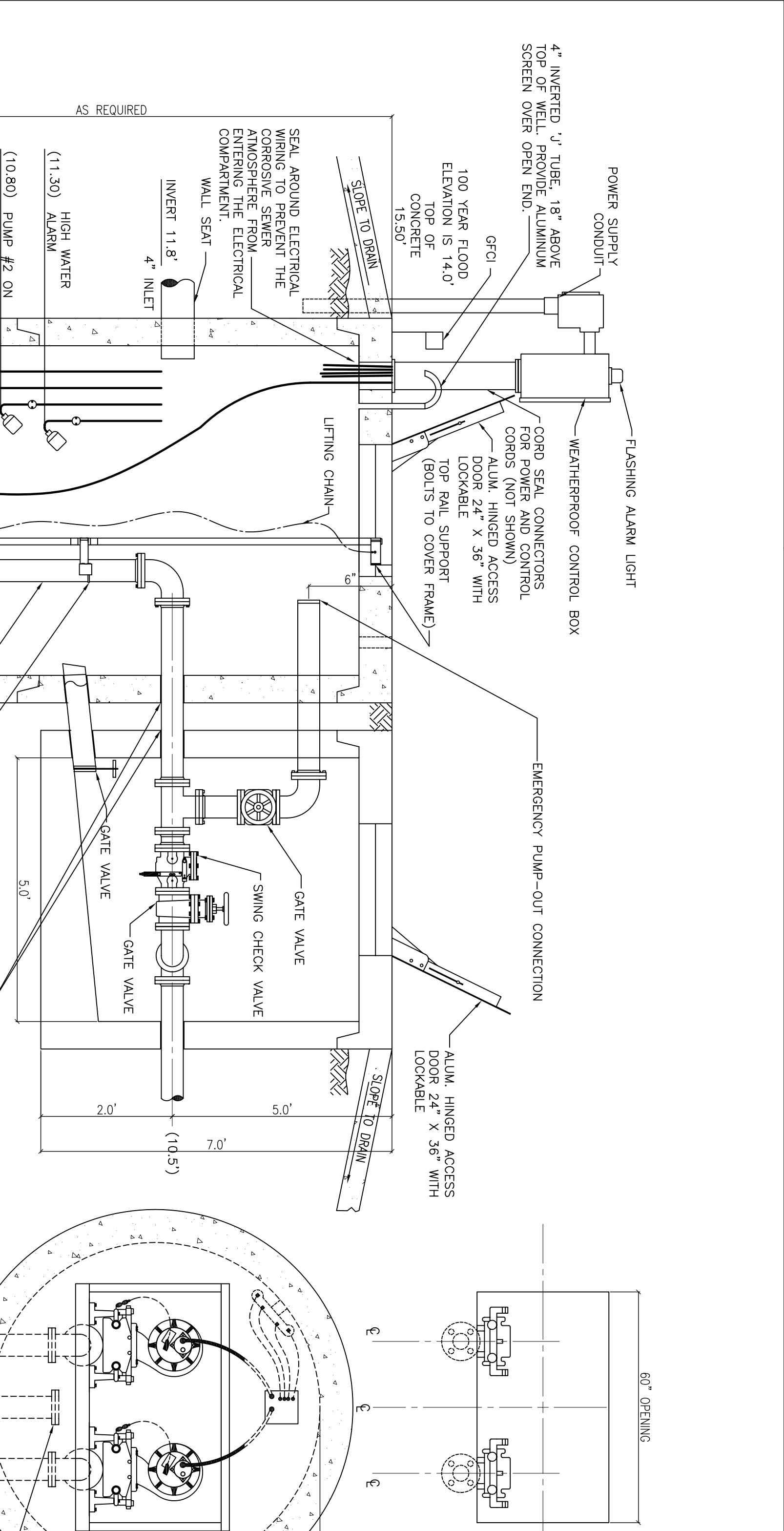
BACKFLOW PREVENTER DETAIL 47
NOT TO SCALE
06.1



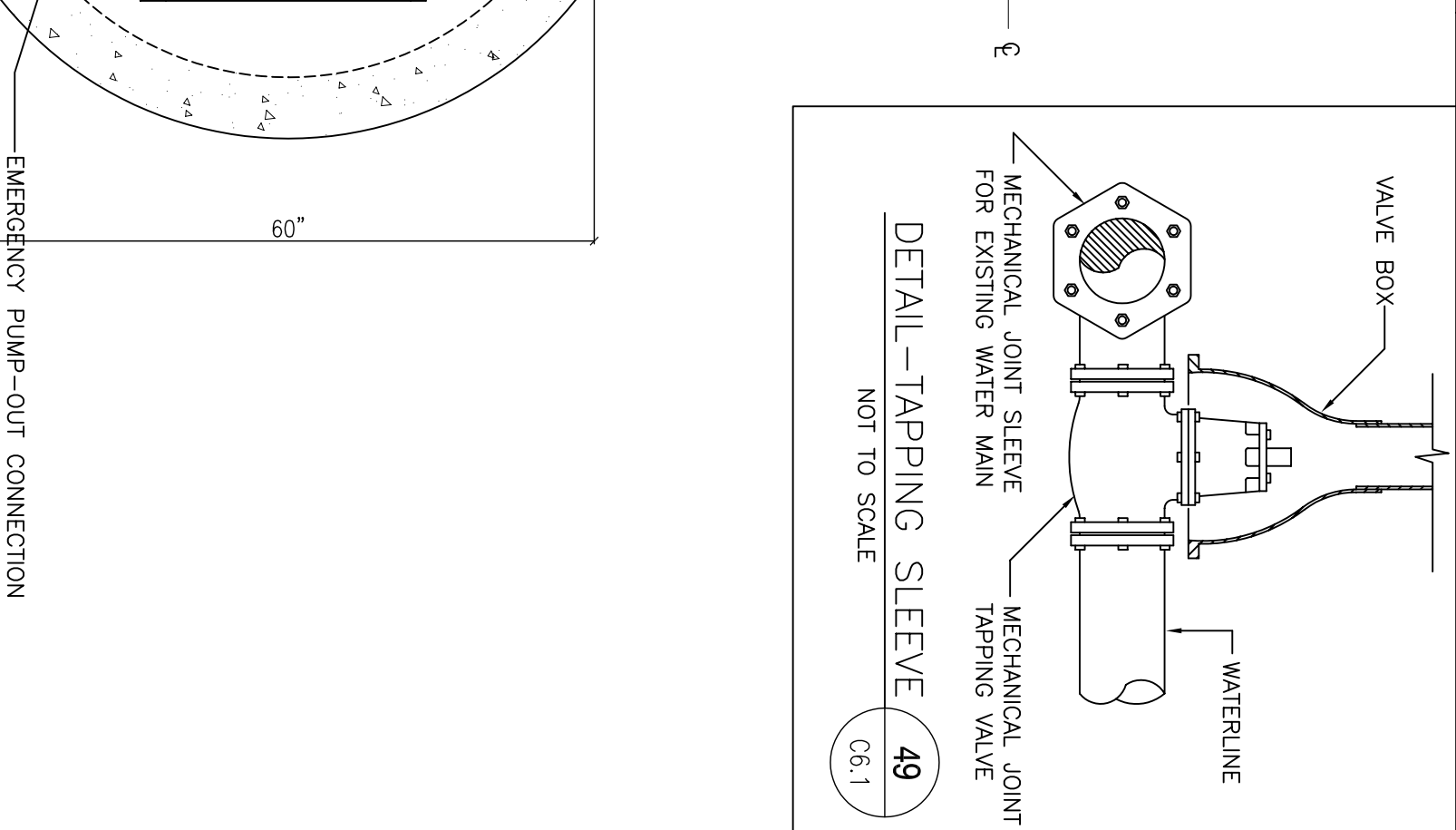
VALVE BOX 48
NOT TO SCALE
06.1



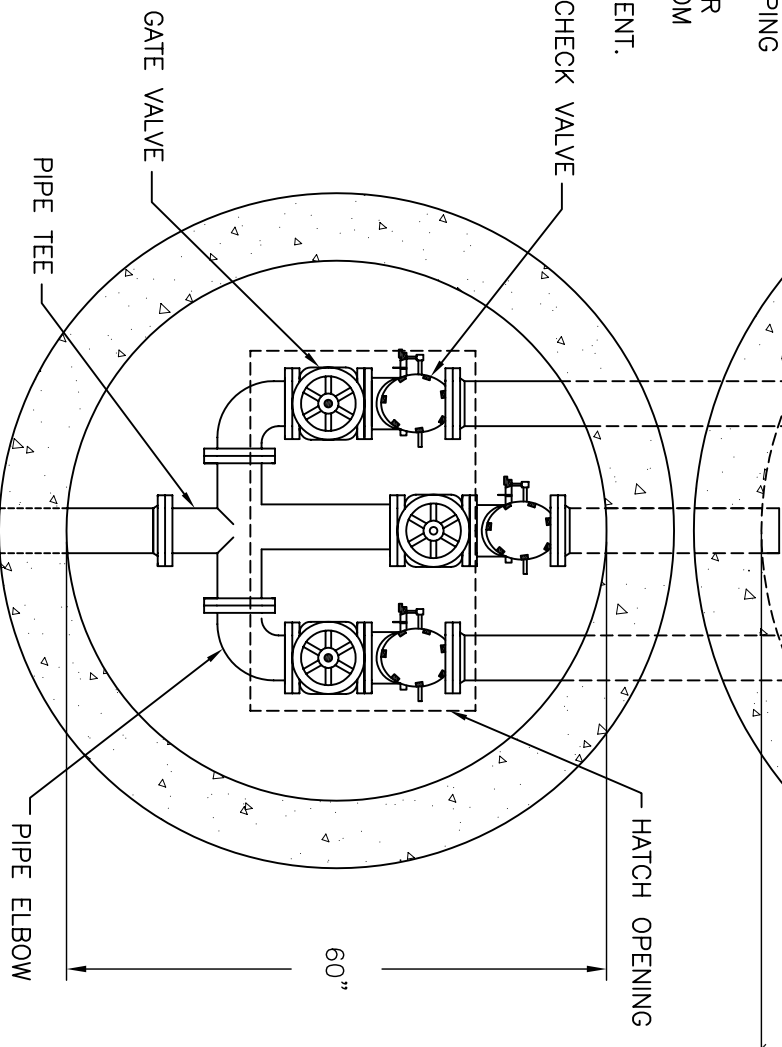
THRUST BLOCKS 50
NOT TO SCALE
06.1



DUPLEX LIFT STATION DETAIL 51
NOT TO SCALE
06.1



TRENCH FOR PLASTIC PIPE 52
NOT TO SCALE
06.1



RECORD DRAWING LETTER DATED - 5-27-10

NOTE:
1. CALC. FOR SIZING:
PUMP 20 GAL./EMPLOYEE
OCCUPANT LOAD 95 EMPLOYEES
2000 GAL./DAY 4.2 GAL./MIN
PUMP + ADD IN 30 GAL./MIN
THEN X 10% = 38 GAL./MIN
2. REFER TO LIFT STATION SPECIFICATION FOR ADDITIONAL REQUIREMENTS.

PUMP DATA
DUPLEX GRINDER PUMPS
38 G.P.M. @ 85 T.O.H. EACH
WITH 2 H.P. 3750 R.P.M. MOTORS

REVDATE:

			DEPARTMENT OF THE NAVY NAVAL FACILITIES ENGINEERING COMMAND SOUTHEAST IPT GULF COAST MISSISSIPPI JOHN C. STENNIS SPACE CENTER SOF RIVERINE AND COMBATANT CRAFT OPERATIONS FACILITY - PRE-FINAL UTILITY DETAILS	DESIGNED BY: J. TERRYANN CHECKED BY: B. WILSON DRAWN BY: L. ARBER DATE: 11/06/09 SHEET: 29 OF 132	DATE: 3-12-10 DATE: 11-6-09 APPR: RW APPR: RW	AS-BUILT REVISED AS PER URS COMMENTS 9 OCTOBER 2009	SYM DESCRIPTION DATE APPR
--	--	--	---	---	--	--	------------------------------------