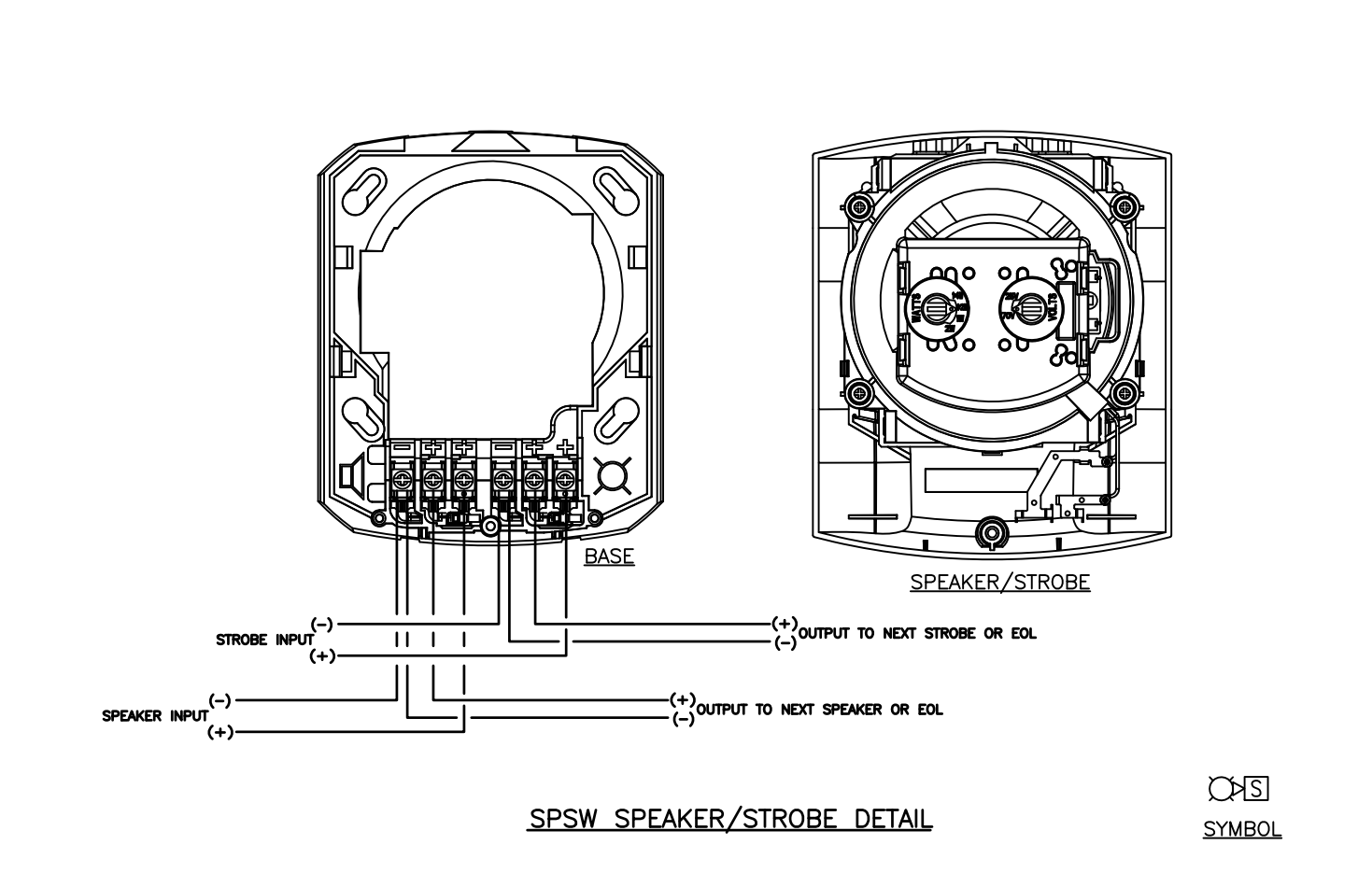
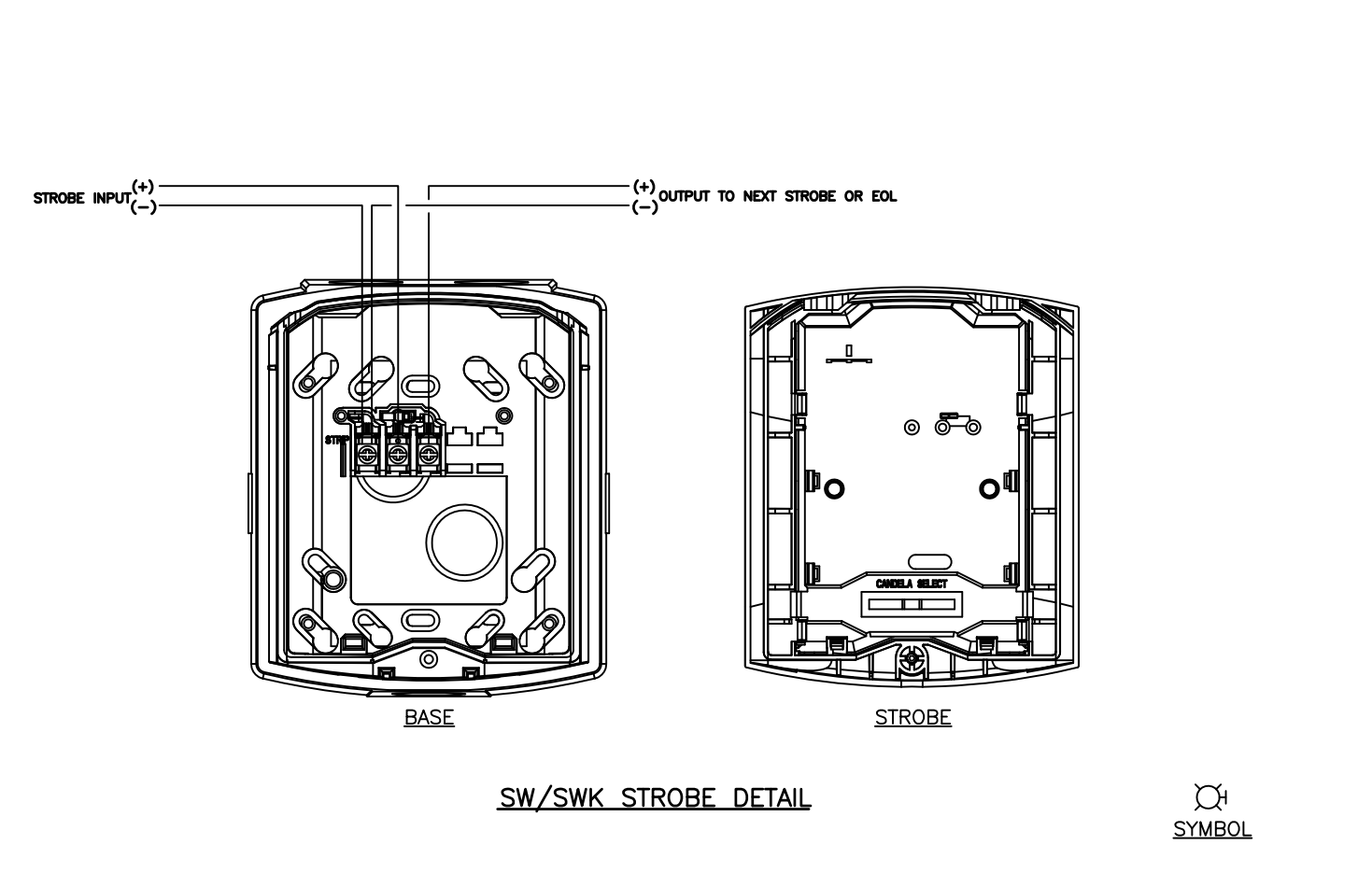
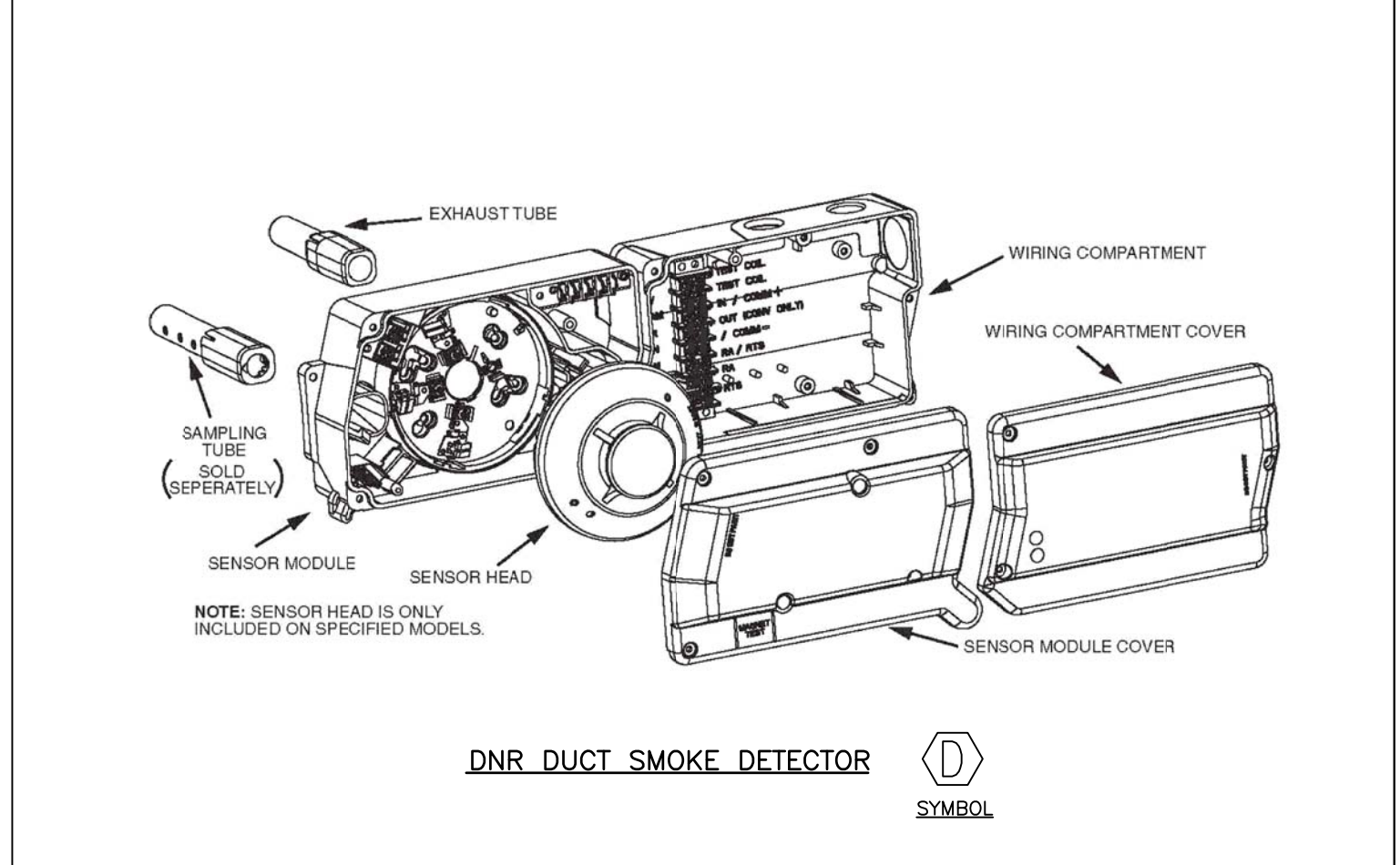
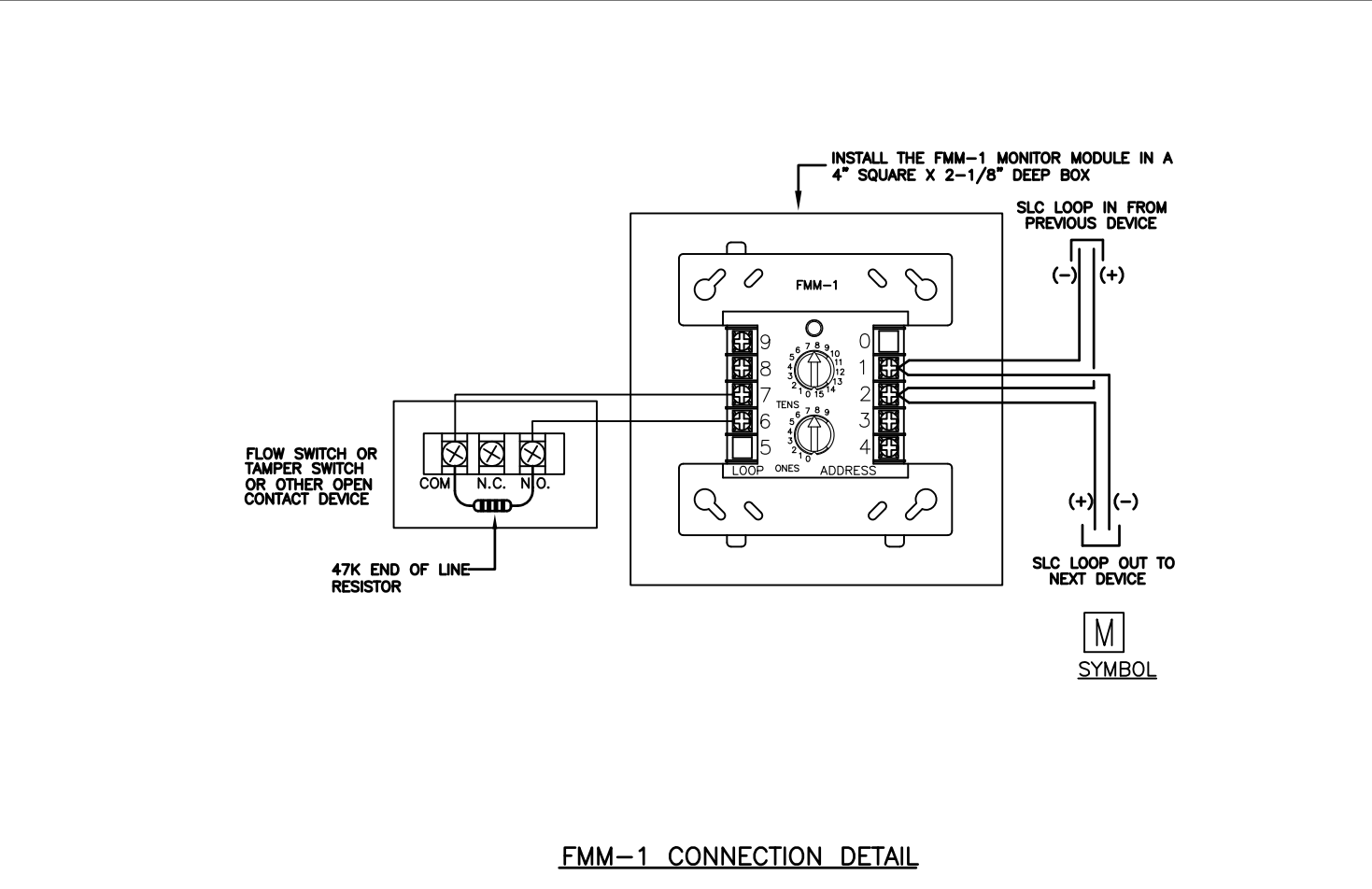
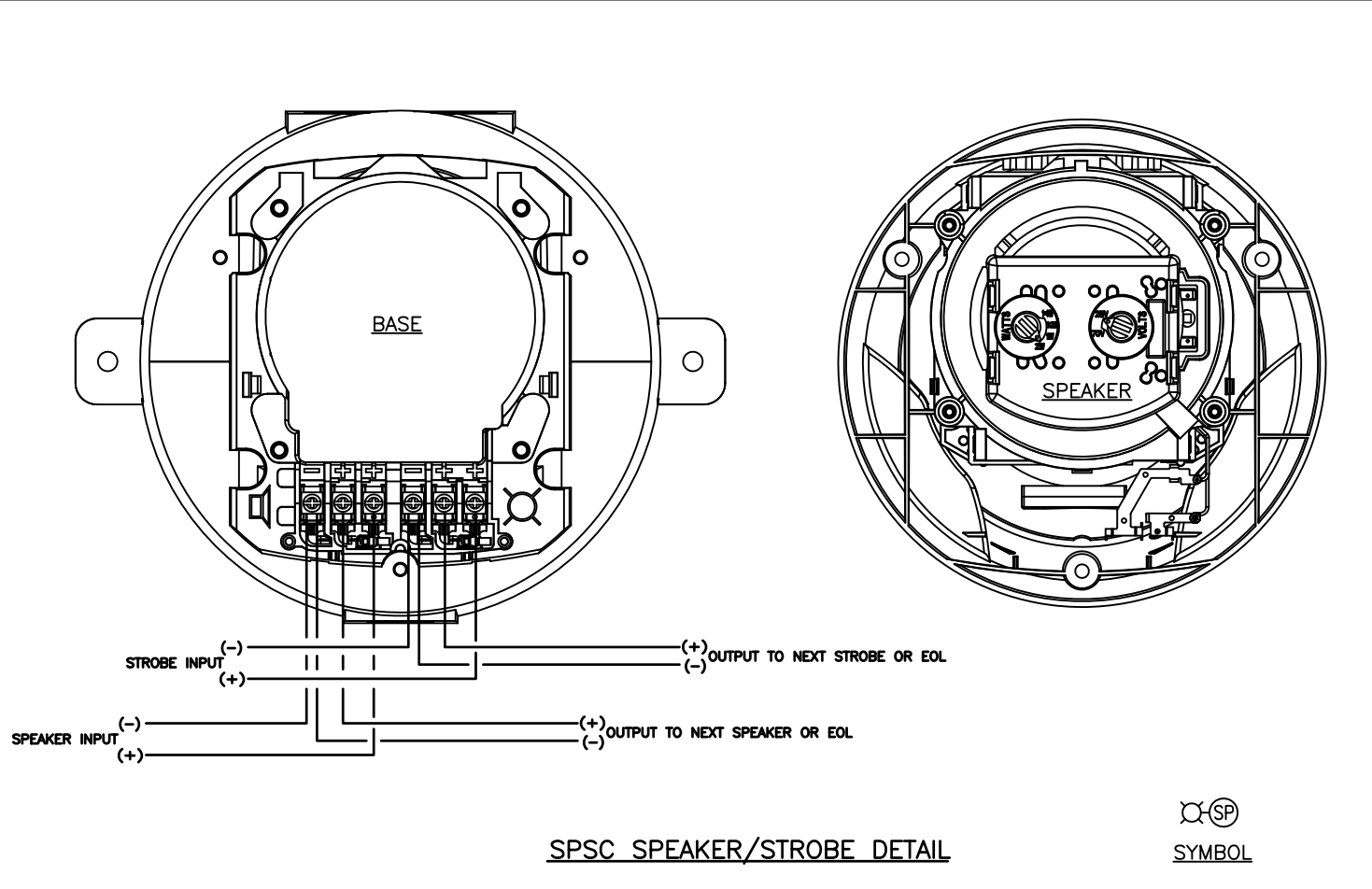
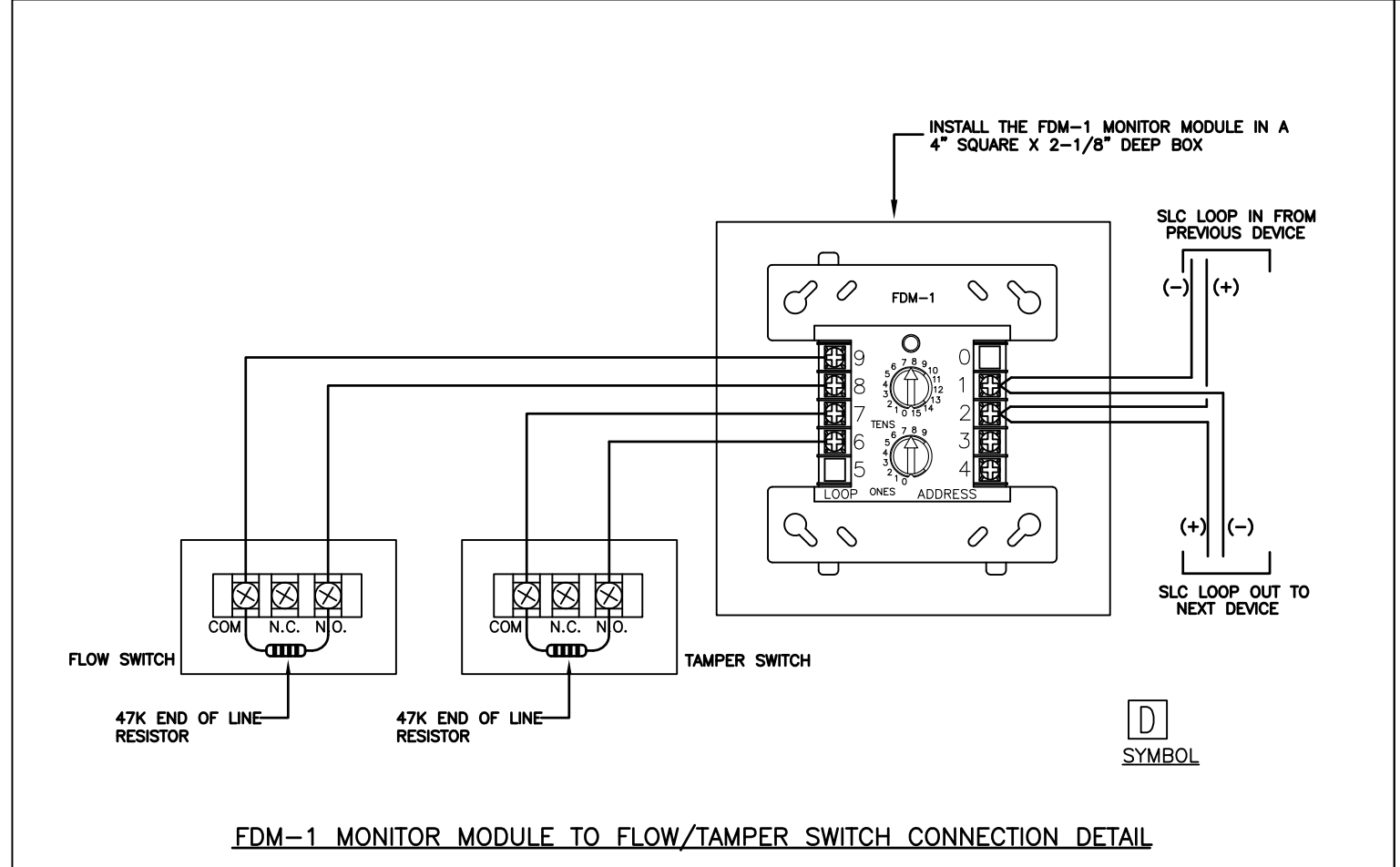
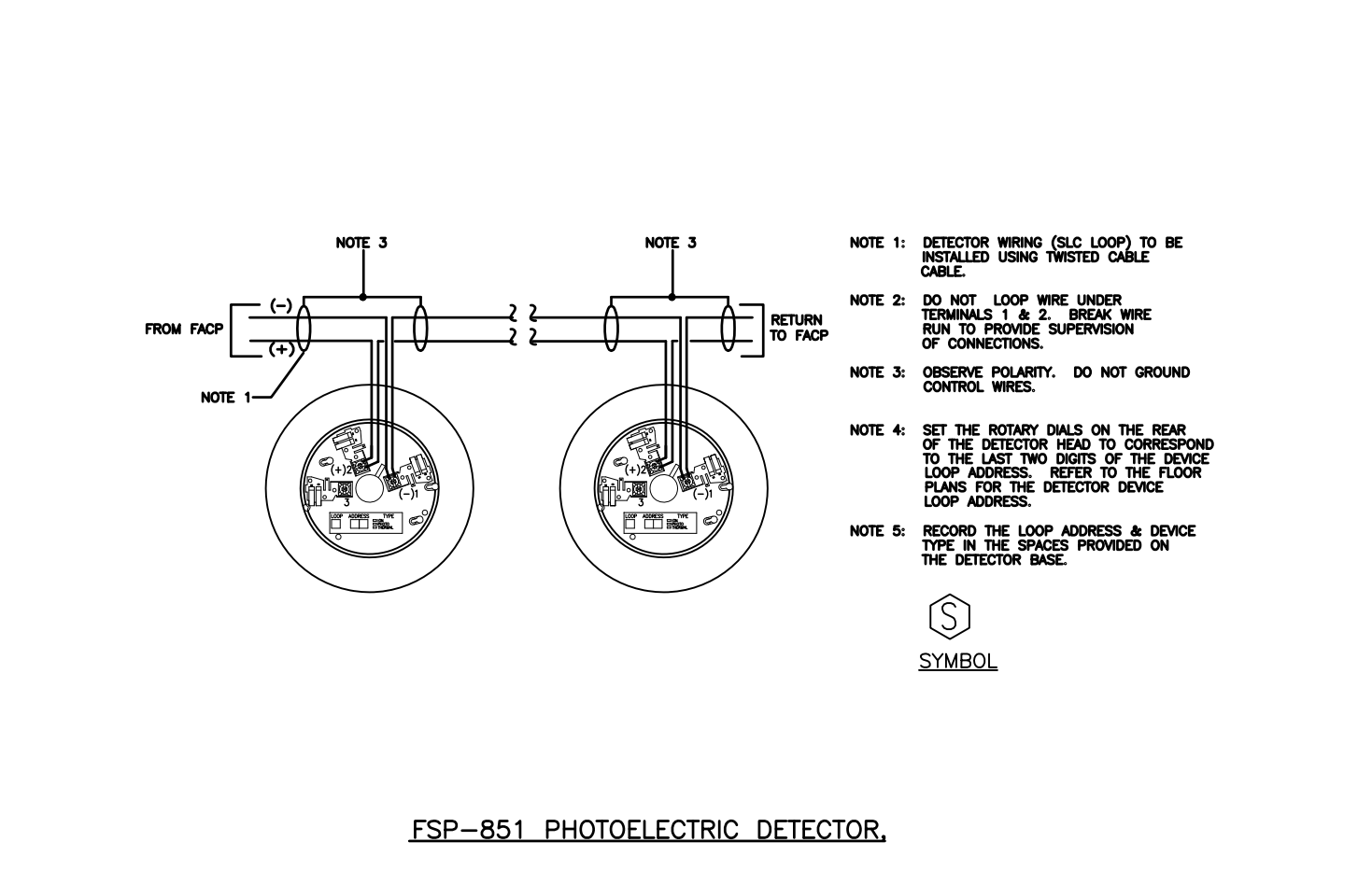
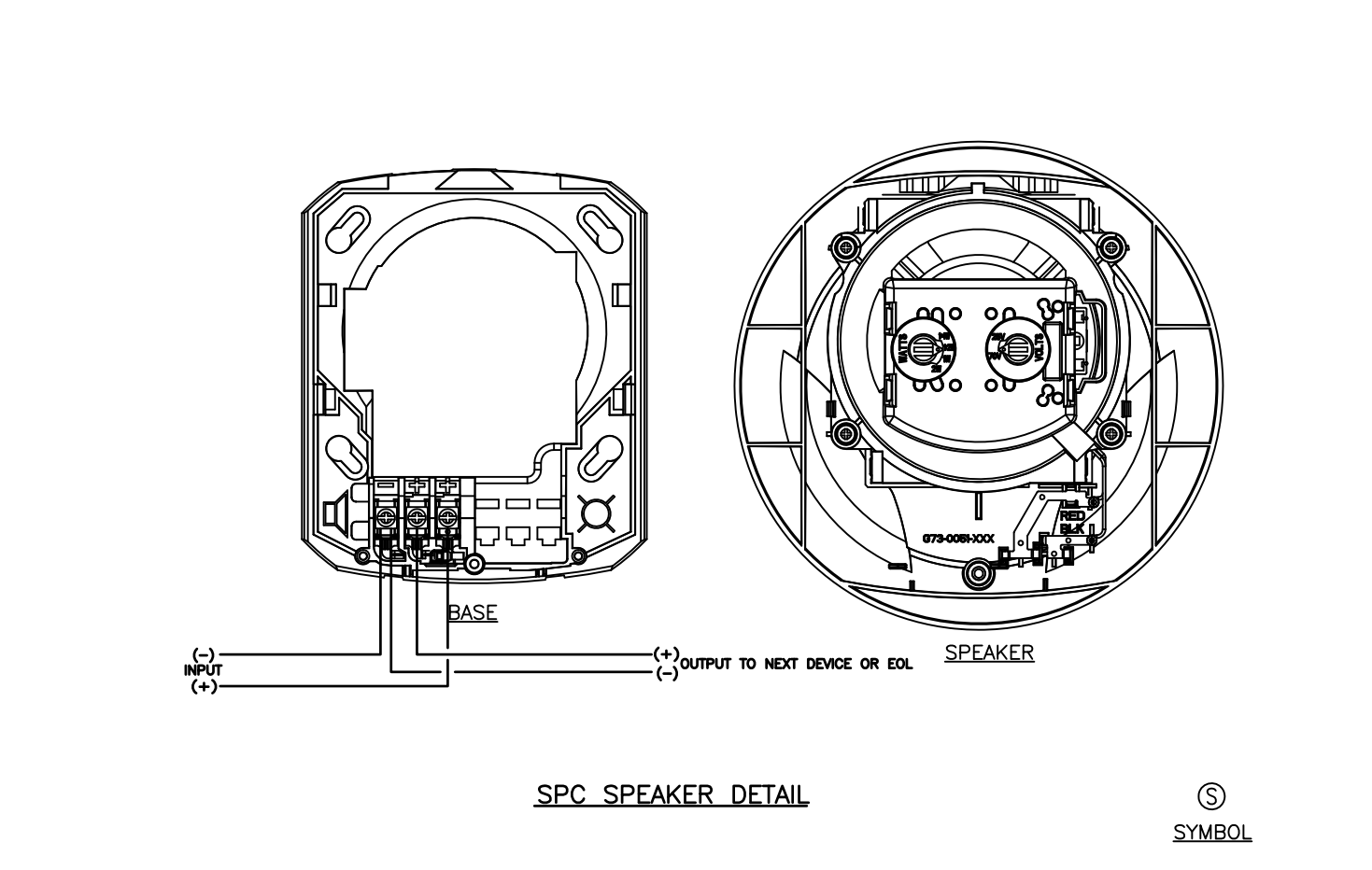
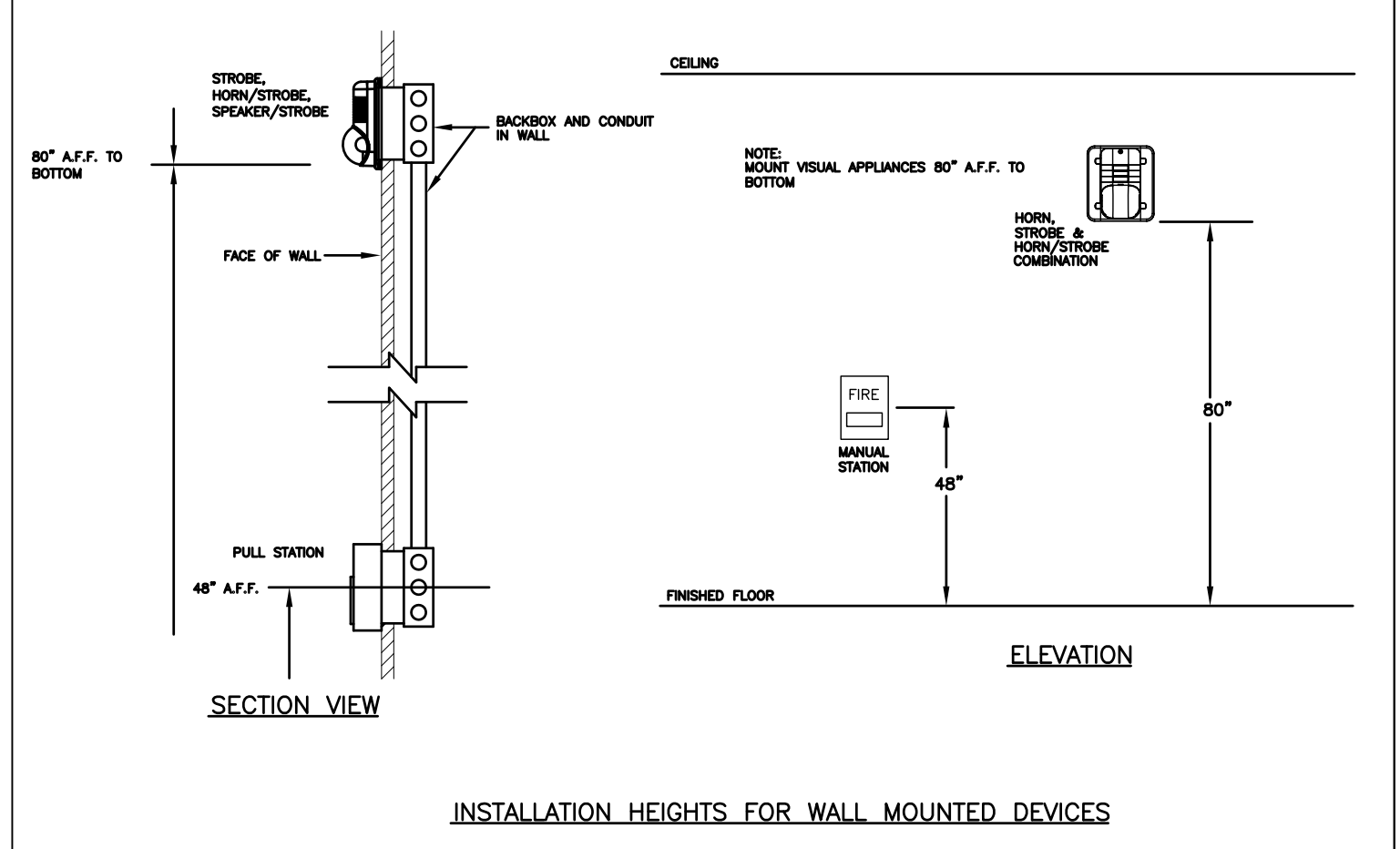
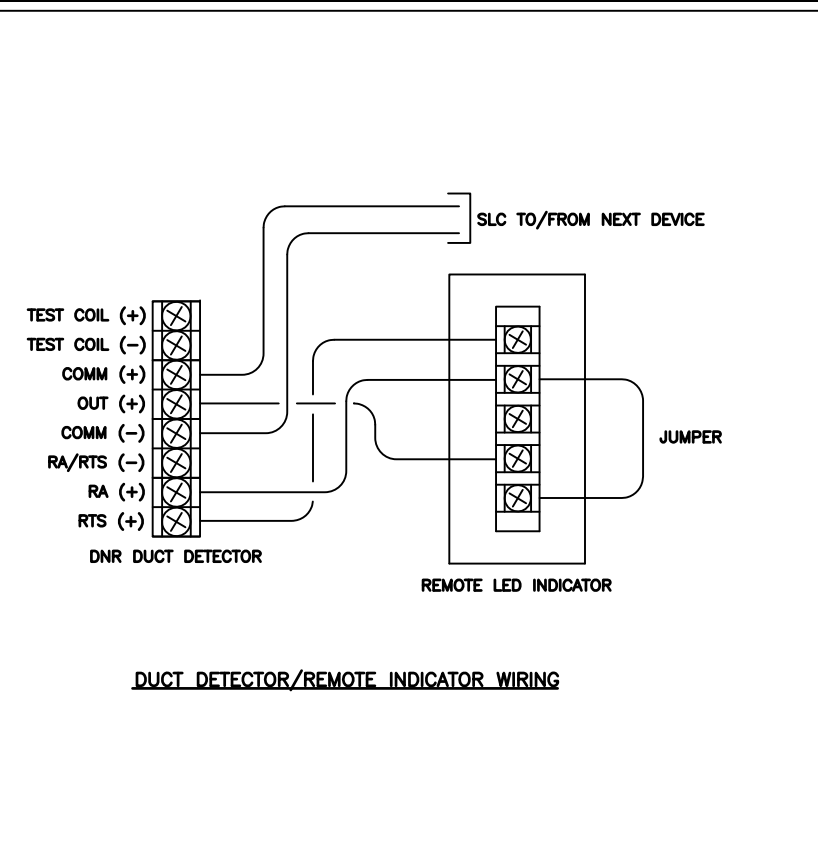
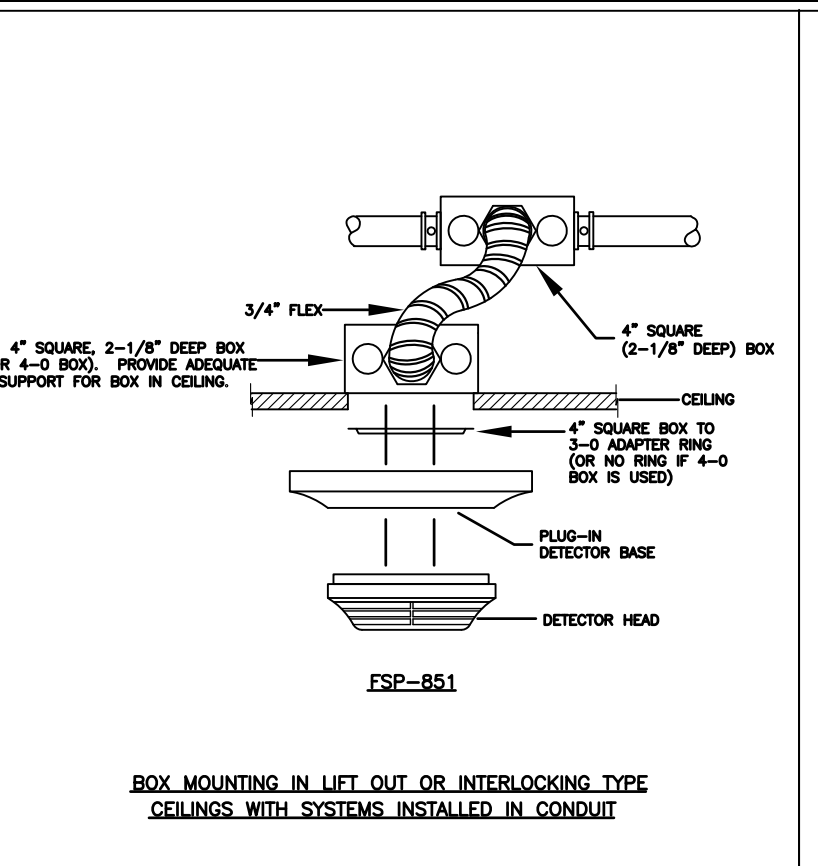
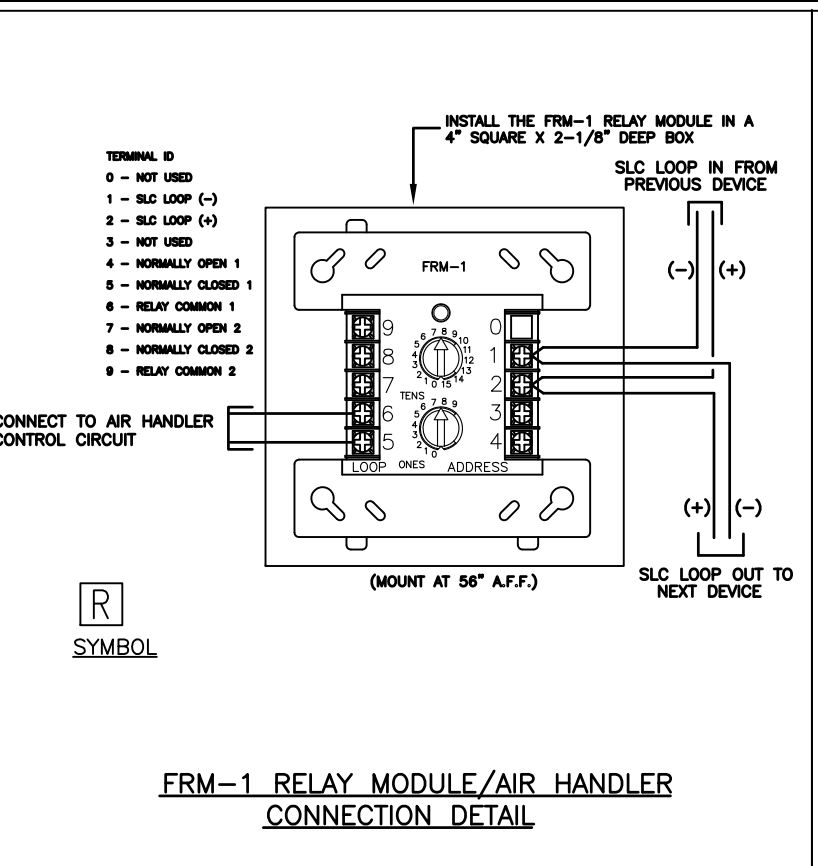
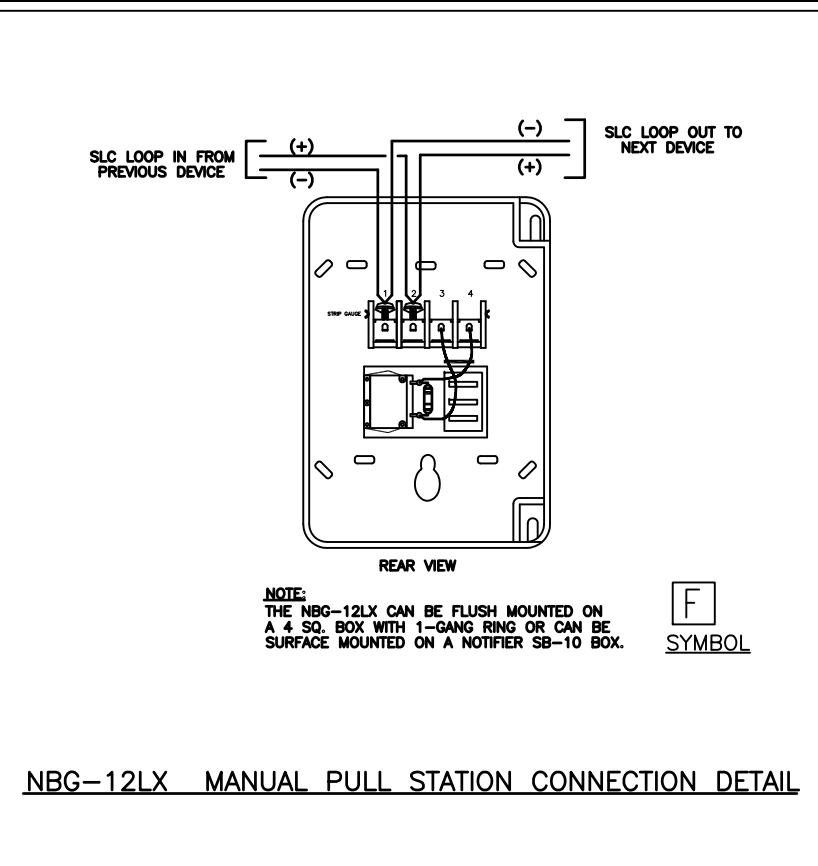
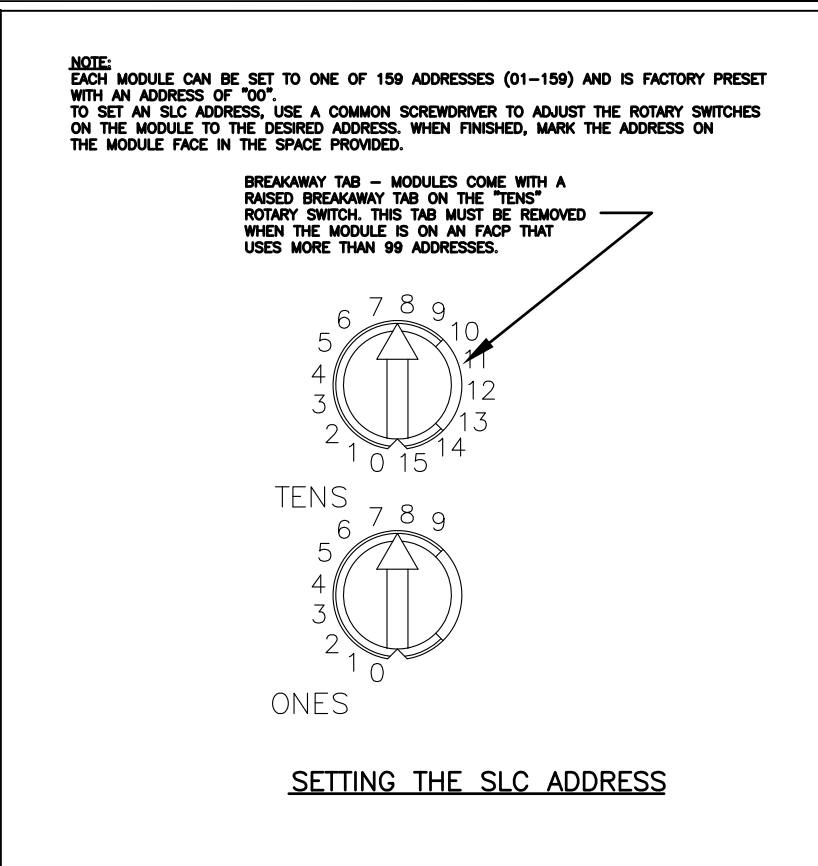
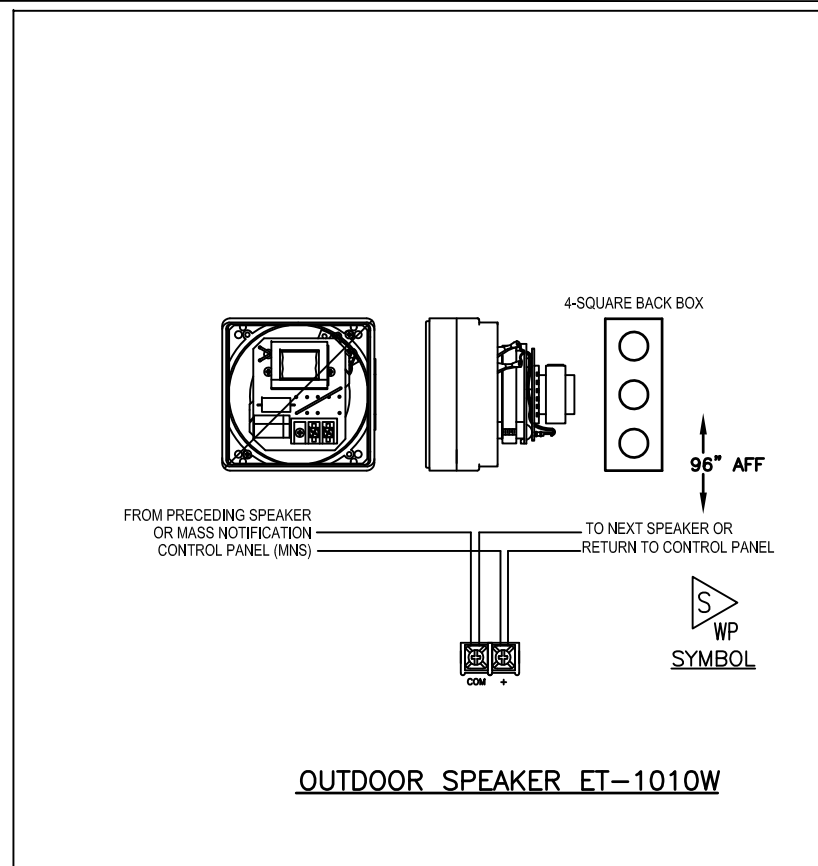


REVDATE: FILE NAME: C:\Scholarly ENGR\09010 SOF Rivetline\Drawings\Elec\5-As-Built\ACC10-06-04\FAS Drawings as-built.dwg LAYOUT NAME: FA1.6 PLOTTED: Wednesday, June 09, 2010 1:02pm



AS-BUILT
6-4-2010

1 FIRE ALARM AND MNS DEVICE WIRING DETAILS
SCALE: NOT TO SCALE

2/26/2010	DATE
REVISED PER URS AND NAVFAC COMMENTS	DESCRIPTION
NAVFAC NAVAL FACILITIES ENGINEERING COMMAND SOUTHEAST NAVAL AIR STATION JACKSONVILLE MISSISSIPPI JOHN C. STENNIS SPACE CENTER SOF RIVERINE AND COMBATANT CRAFT OPERATIONS FACILITY FIRE ALARM DEVICE CONNECTION DETAILS	
DES: LARRY K. COOK	DRW: LARRY K. COOK
REVIEWED BY: R. WILTSE	
FM/DM: T. ARTRIP	
CHIEF ENG/ARCH: P. DAMMON	
DEPARTMENT OF THE NAVY	NAVAL FACILITIES ENGINEERING COMMAND SOUTHEAST
NAVAL AIR STATION JACKSONVILLE	MISSISSIPPI
JOHN C. STENNIS SPACE CENTER	SOFT RIVERINE AND COMBATANT
CRAFT OPERATIONS FACILITY	FIRE ALARM DEVICE CONNECTION DETAILS
CODE ID. NO. N4412	SIZE D
SCALE: 1/8"=1'-0"	
MAXIMO NO. #####	
STA. PROJ. NO. P-210	
WORK ORDER NO. 510247	
CONSTR. CONTR. NO. N62467-05-D-0096	
NAVFAC DRAWING NO. #####	
SHEET XXX OF XXX	
FA1.6	
<small>DRAWING REVISION: 01 JAN 2009</small>	