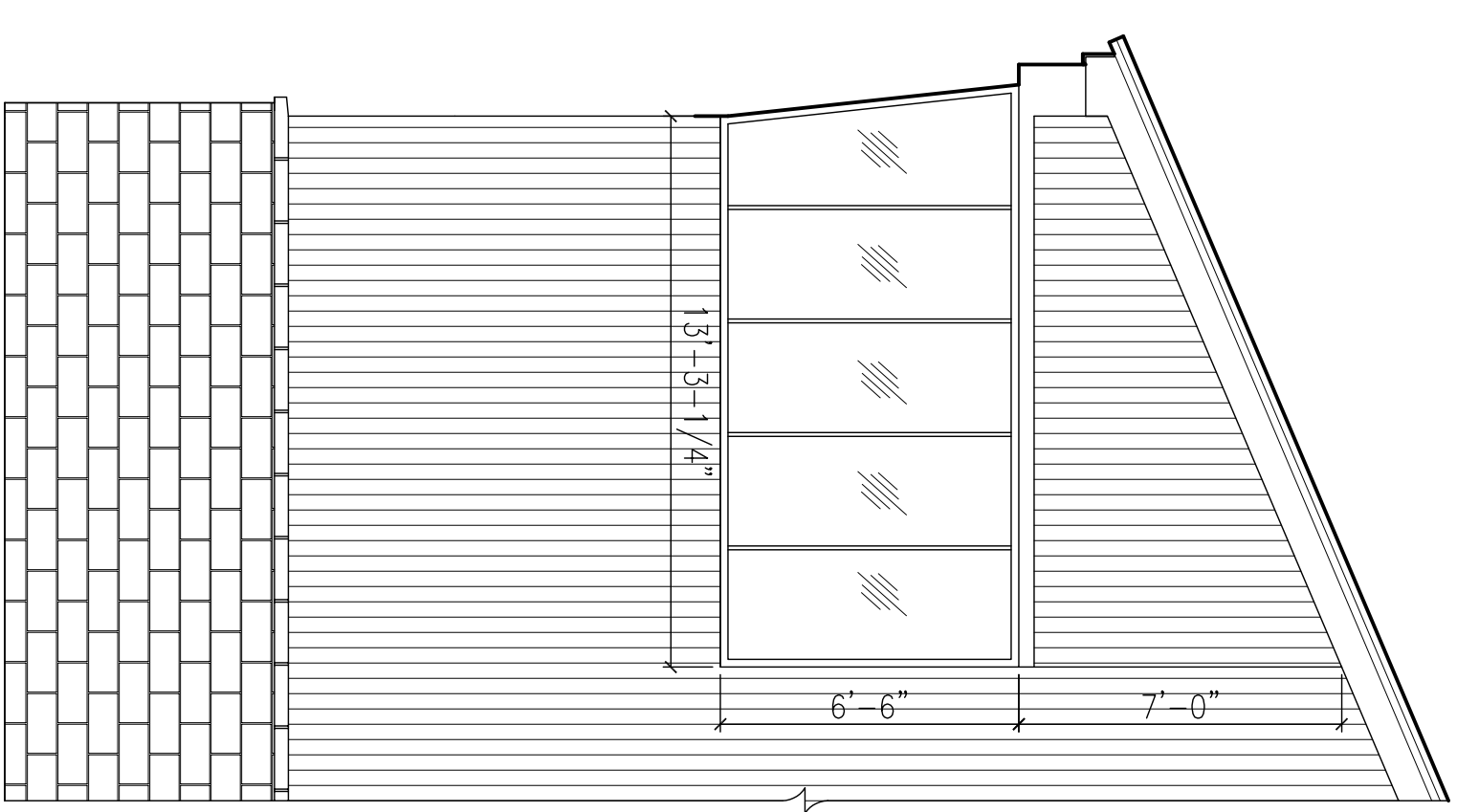
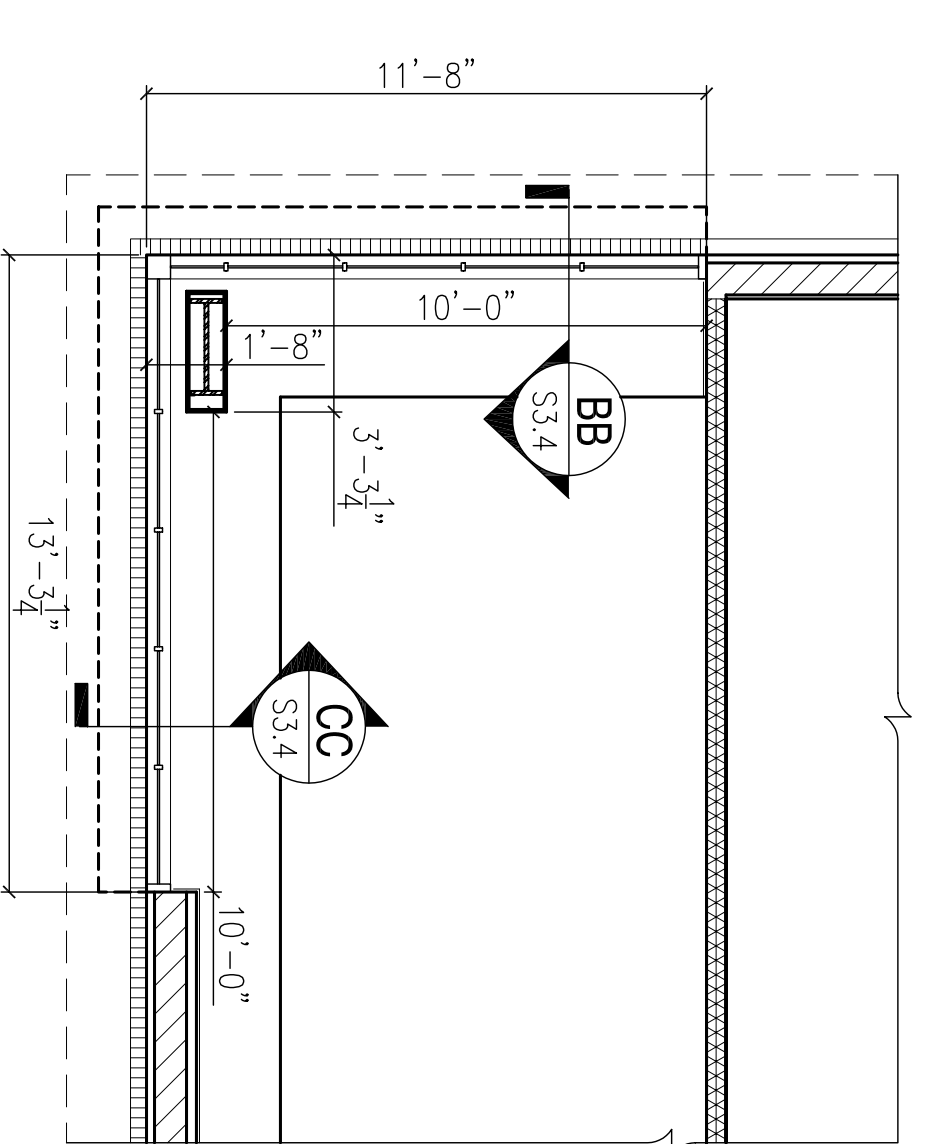


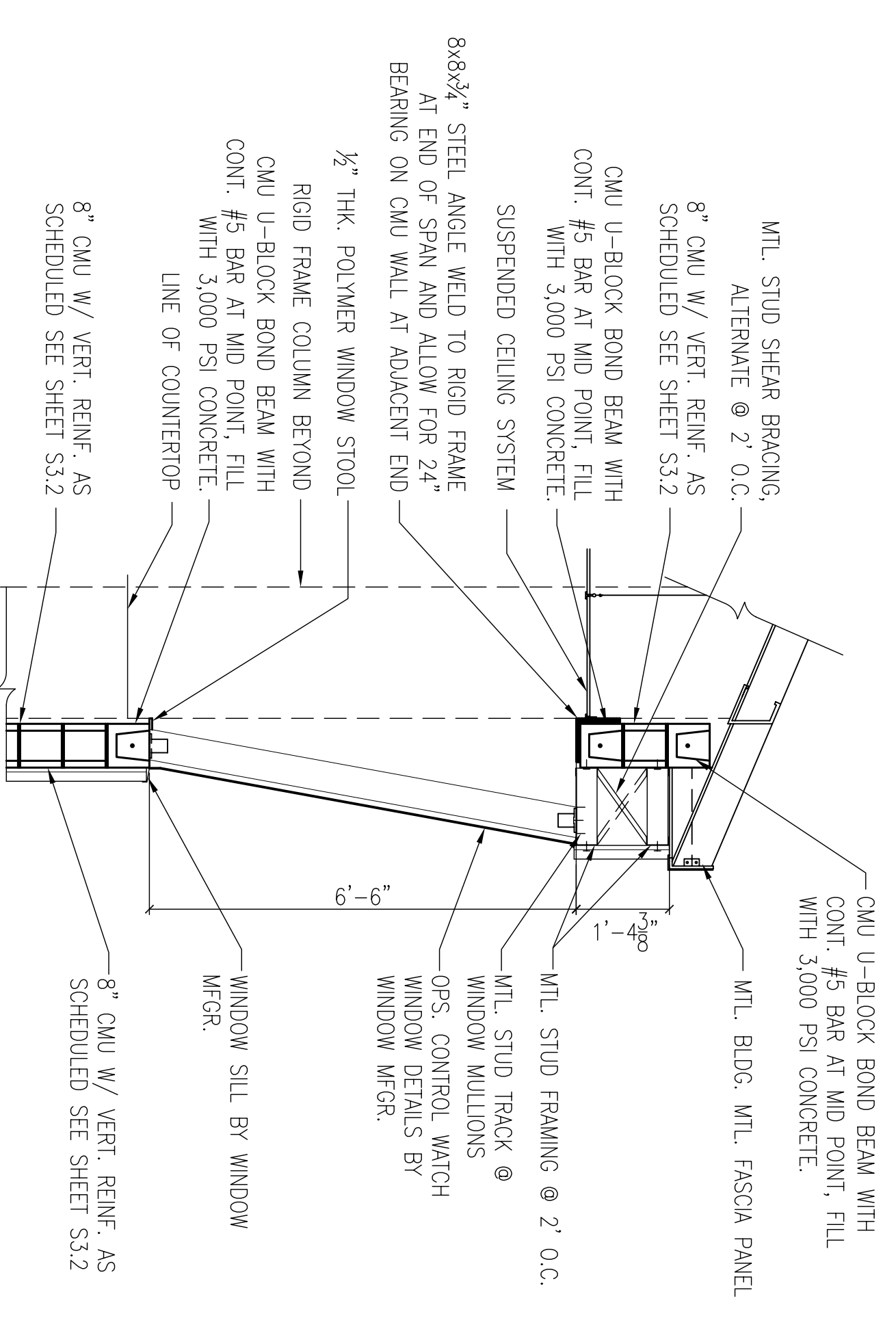
PARTIAL ELEVATION @ OPS CONTROL WINDOW
SCALE: 1/4"=1'-0"



PARTIAL ELEVATION @ OPS CONTROL WINDOW
SCALE: 1/4"=1'-0"

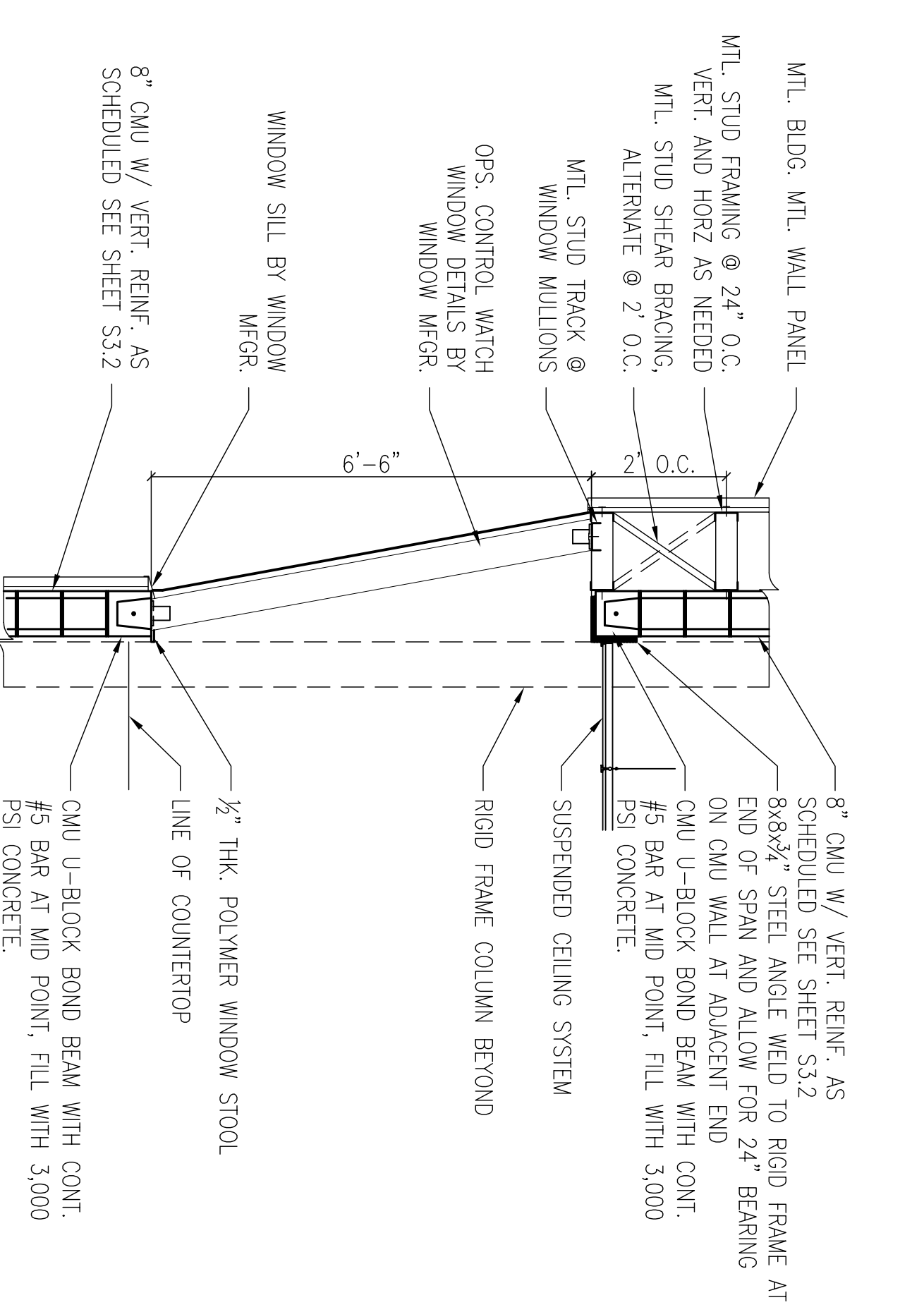


PARTIAL SECOND FLOOR PLAN @ OPS CONTROL WINDOW
SCALE: 1/4"=1'-0"



SECTION
SCALE: 1/2"=1'-0"

BB
S3.4



SECTION
SCALE: 1/2"=1'-0"

CC
S3.4

RECORD DRAWING
LETTER DATED -
5-27-10



DEPARTMENT OF THE NAVY NAVAL FACILITIES ENGINEERING COMMAND SOUTHEAST IFT GULF COAST JOHN C. STENNIS SPACE CENTER SOF RIVERINE AND COMBATANT CRAFT OPERATIONS FACILITY - PRE-FINAL MISSISSIPPI BLDG. 2440 OPS. CONTROL WINDOW DETAILS	NAVAL FACILITIES ENGINEERING COMMAND SOUTHEAST NAVAL AIR STATION JACKSONVILLE MISSISSIPPI JOHN C. STENNIS SPACE CENTER SOF RIVERINE AND COMBATANT CRAFT OPERATIONS FACILITY - PRE-FINAL MISSISSIPPI BLDG. 2440 OPS. CONTROL WINDOW DETAILS	DESS, B. WATSE DEW, J. FRANK ENGINEER BY: B. WATSE TAYLOR, S. JERRY CHIEF ENGINEER: B. DAMMON		DAMMON ENGINEERING, INC. CHIEF ENGINEER: CHIEF CONSULTANT DAMMON, P.E. GREG A. WATSE 10501 LINDA MAINE SUITE 100 (985) 649-8312 4/27/2008		AS-BUILT 4-27-10 RW	SYM DESCRIPTION DATE APPR
------------------------------------------------------------------------------------------------------------------------------------------------------------------------------------------------------------------------------------------------------------------------------	----------------------------------------------------------------------------------------------------------------------------------------------------------------------------------------------------------------------------------------------------------------------------	----------------------------------------------------------------------------------------------------------	--	-----------------------------------------------------------------------------------------------------------------------------------------------------------------------	--	---------------------------	------------------------------------