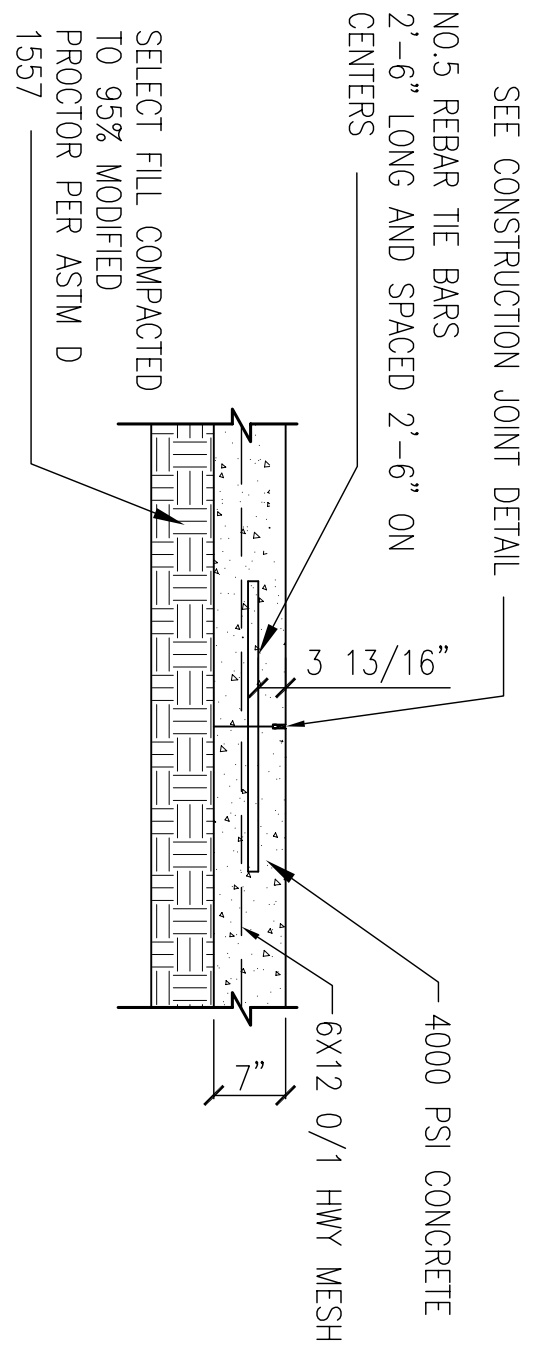
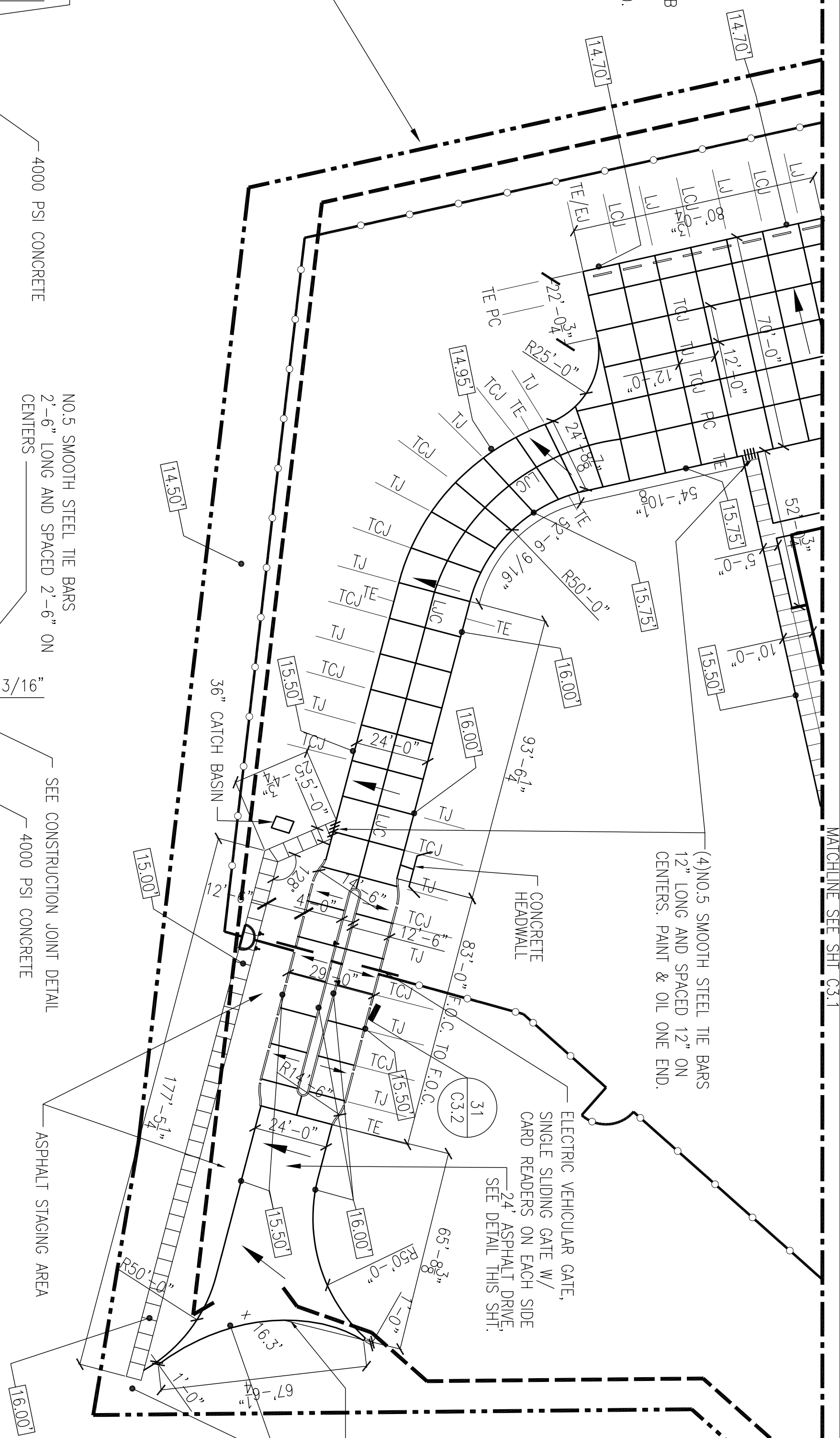
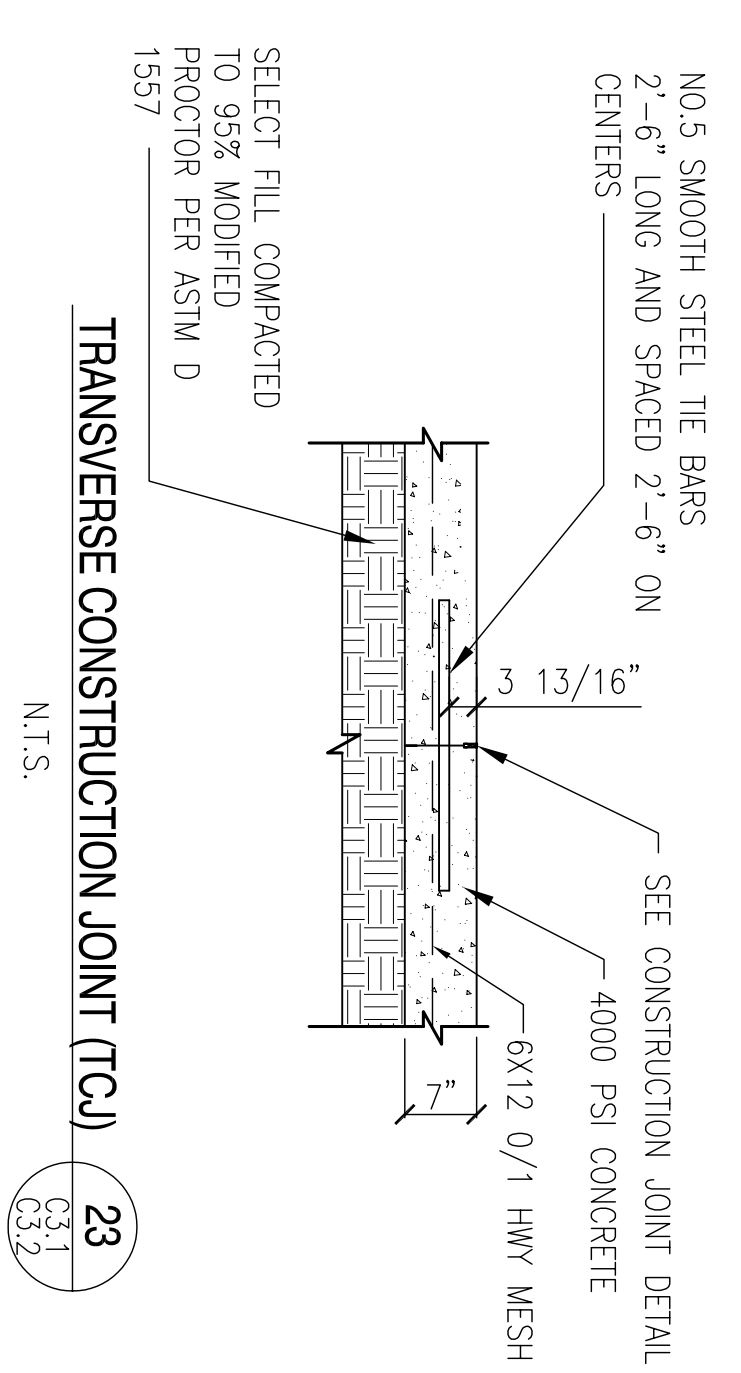


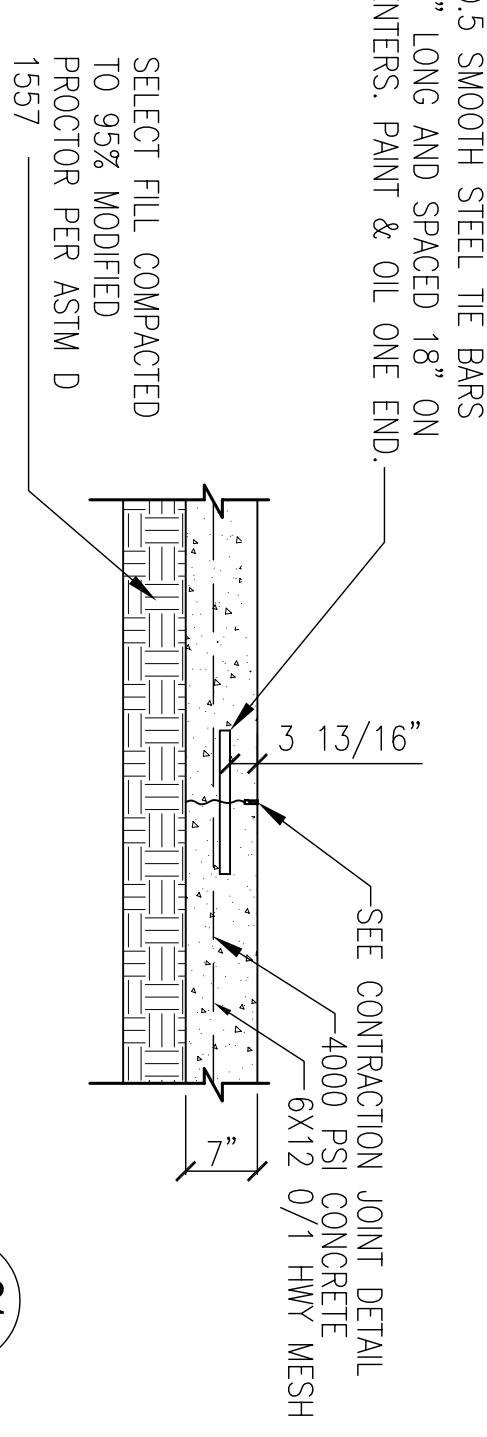
GENERAL NOTE:
DIMENSIONS SHOWN ARE TO BACK OF CURB
(WHERE CURBS ARE SHOWN) OR EDGE OF
CONCRETE (WHERE CURBS ARE NOT SHOWN).



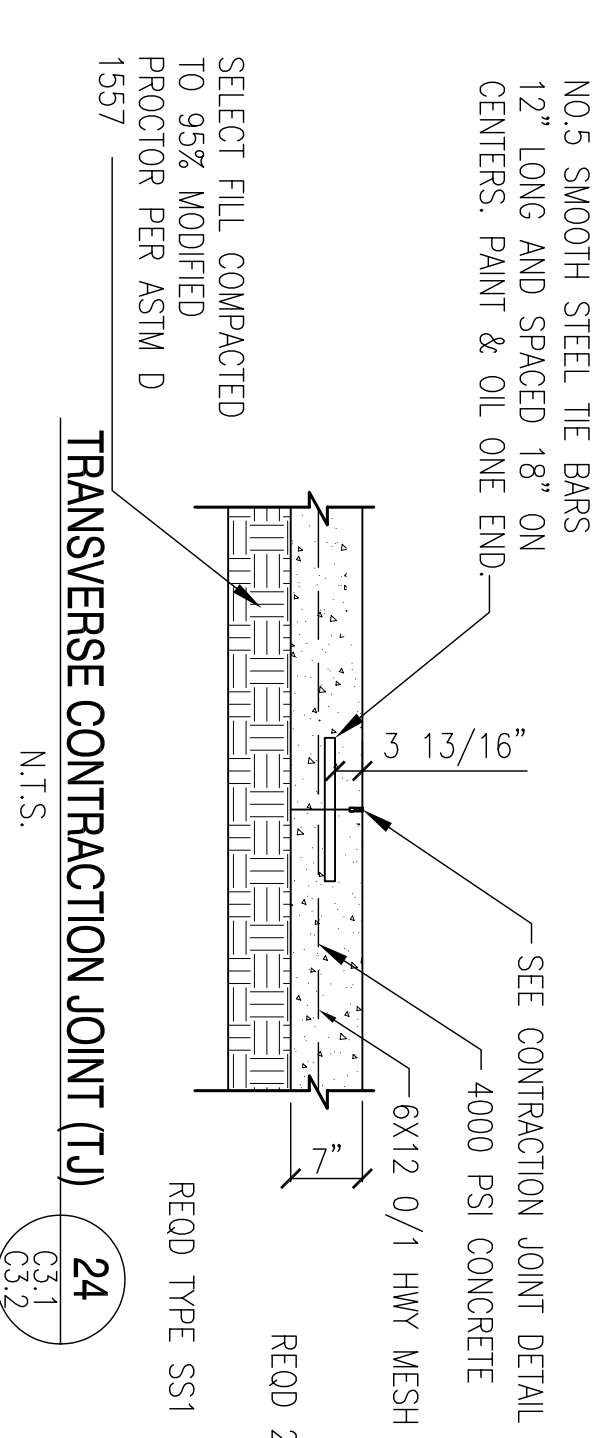
LONGITUDINAL CONSTRUCTION JOINT (LCJ) 20
C3.1
C3.2
N.T.S.



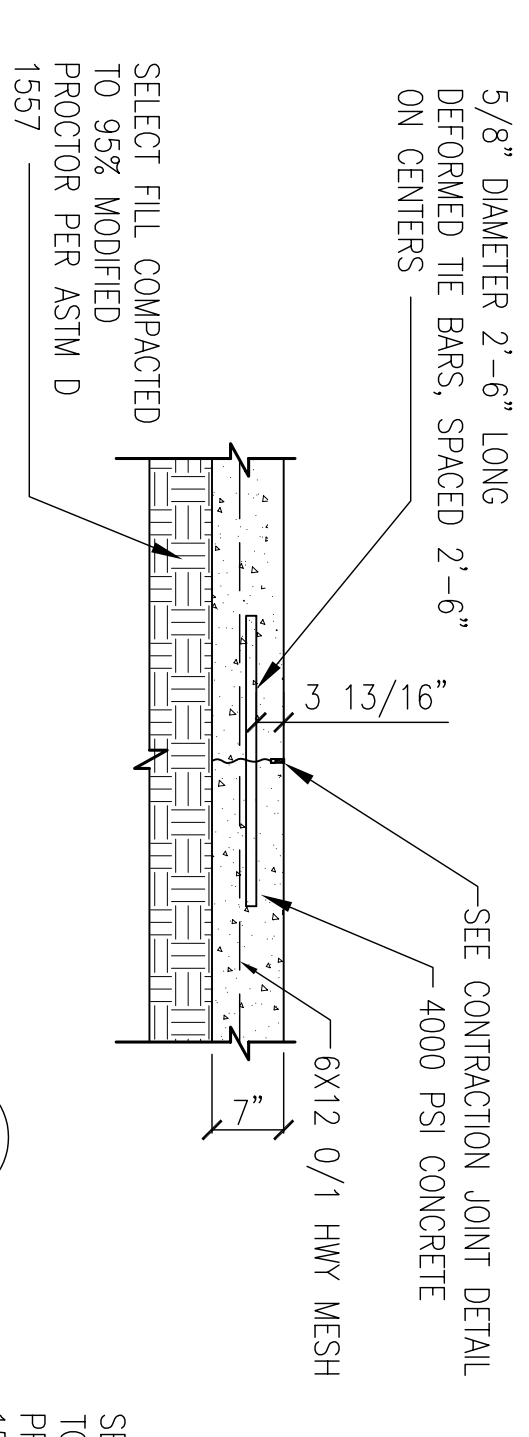
TRANSVERSE CONSTRUCTION JOINT (TCJ) 23
C3.1
C3.2
N.T.S.



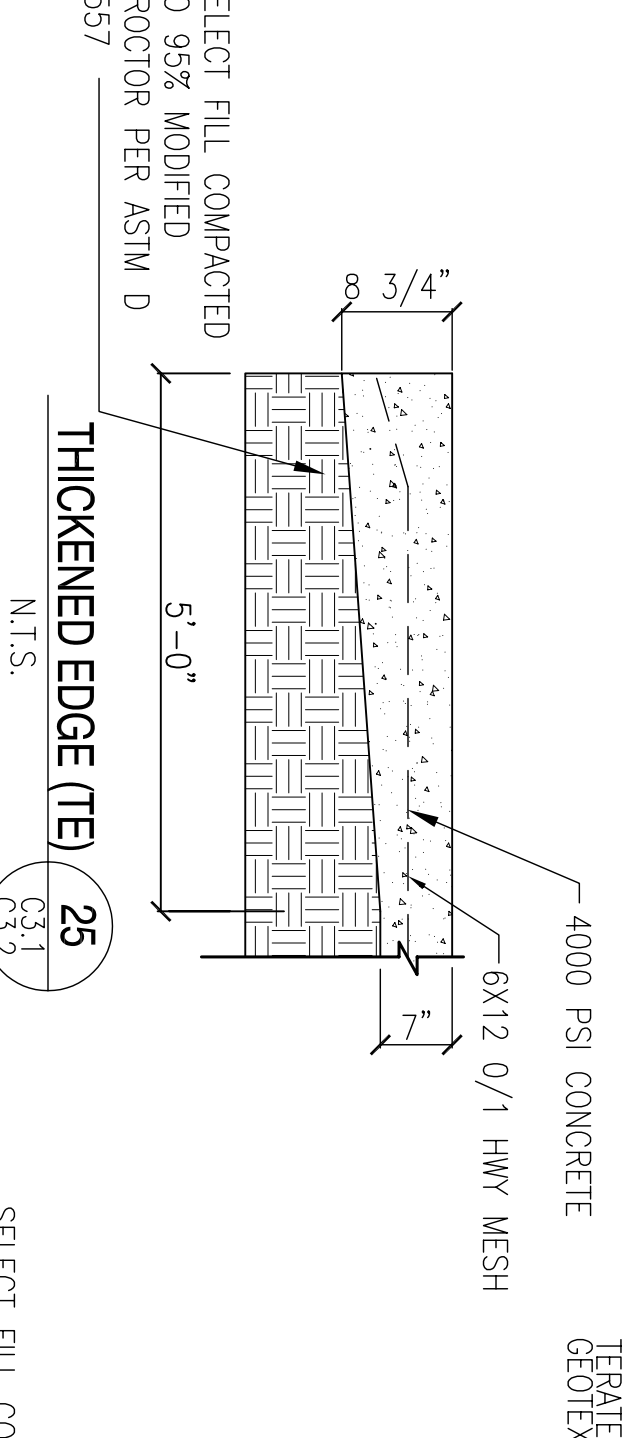
LONGITUDINAL CONTRACTION JOINT (LJ) 21
C3.1
C3.2
N.T.S.



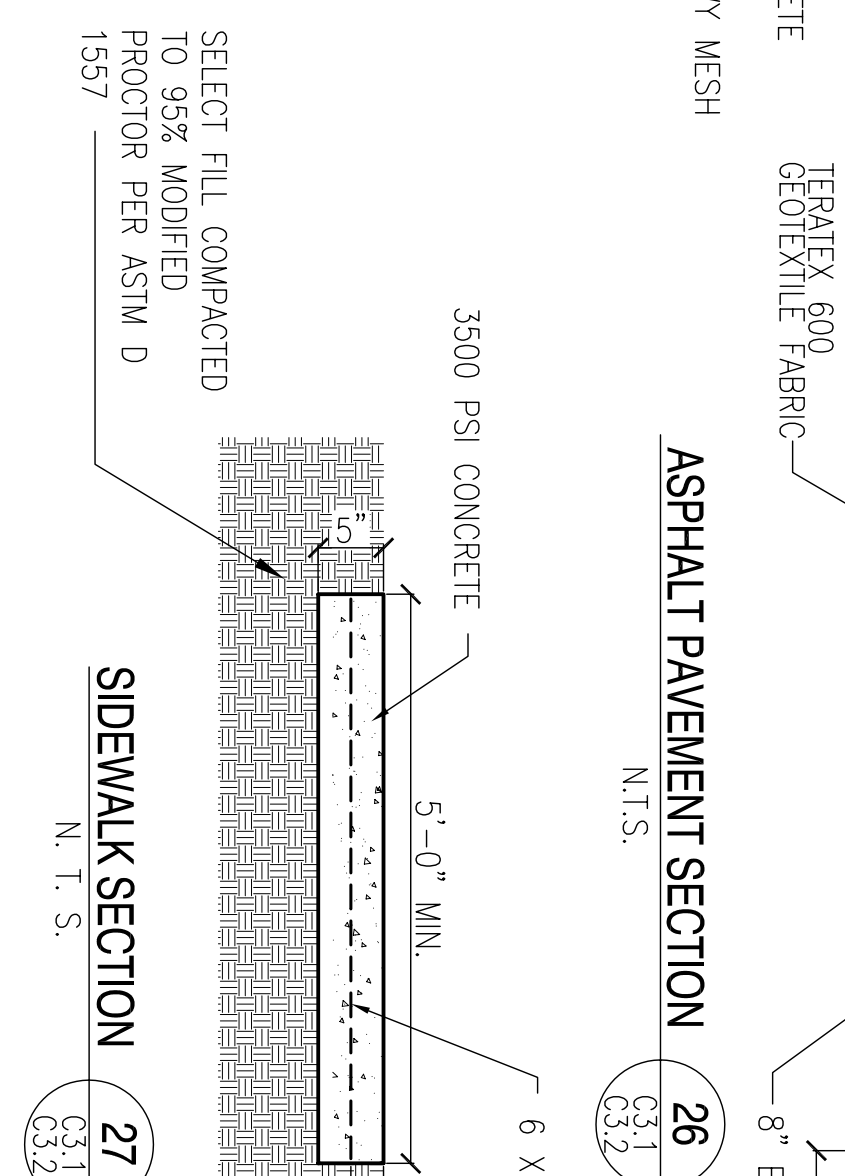
TRANSVERSE CONTRACTION JOINT (TJ) 24
C3.1
C3.2
N.T.S.



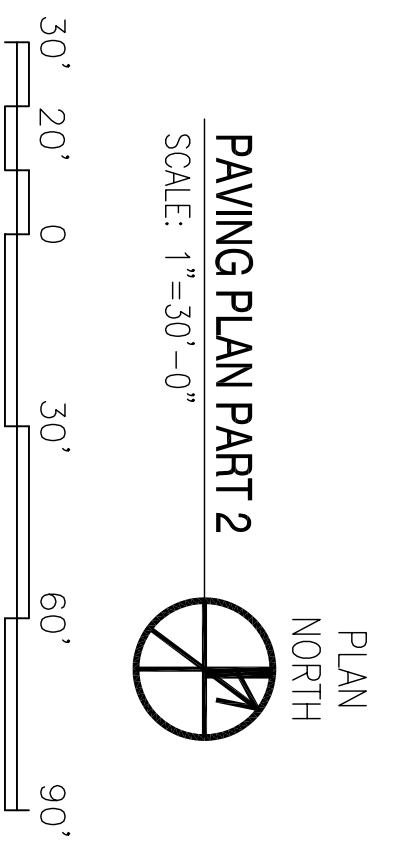
PERIMETER CONNECTION (PC) 22
C3.1
C3.2
N.T.S.



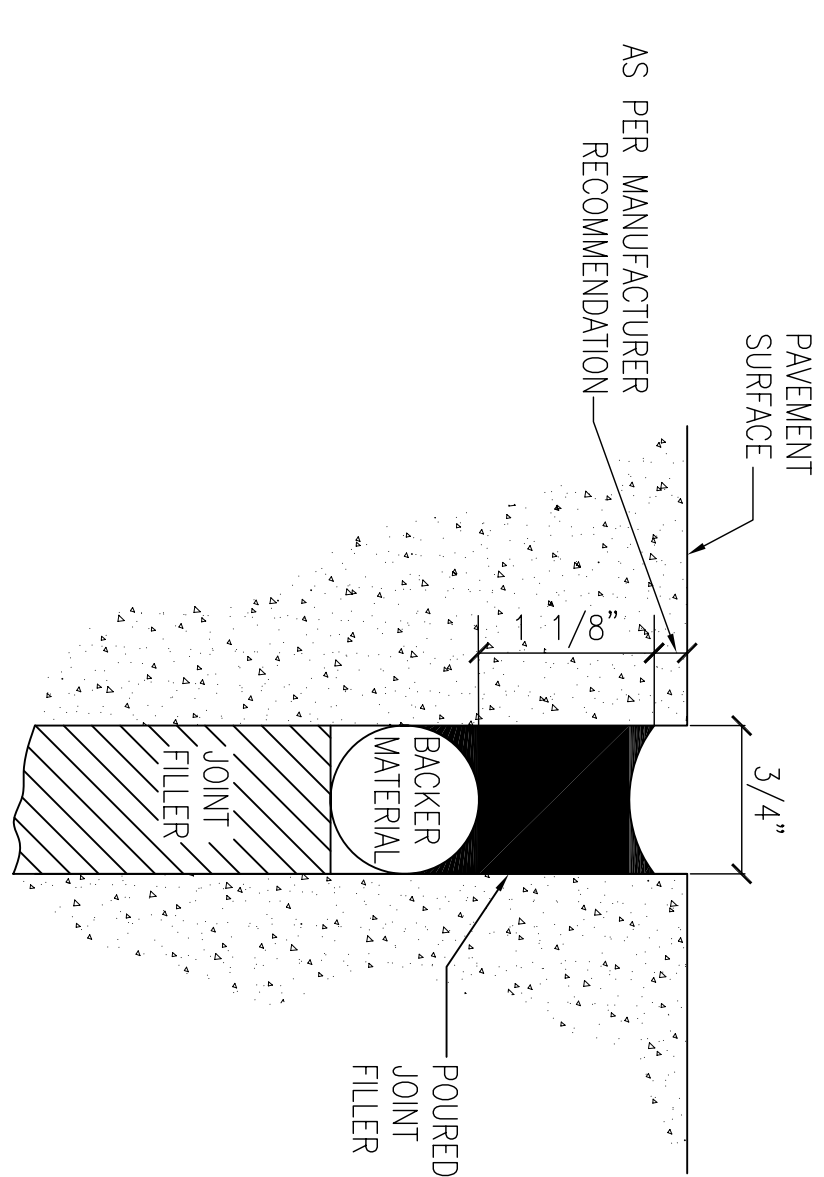
THICKENED EDGE (TE) 25
C3.1
C3.2
N.T.S.



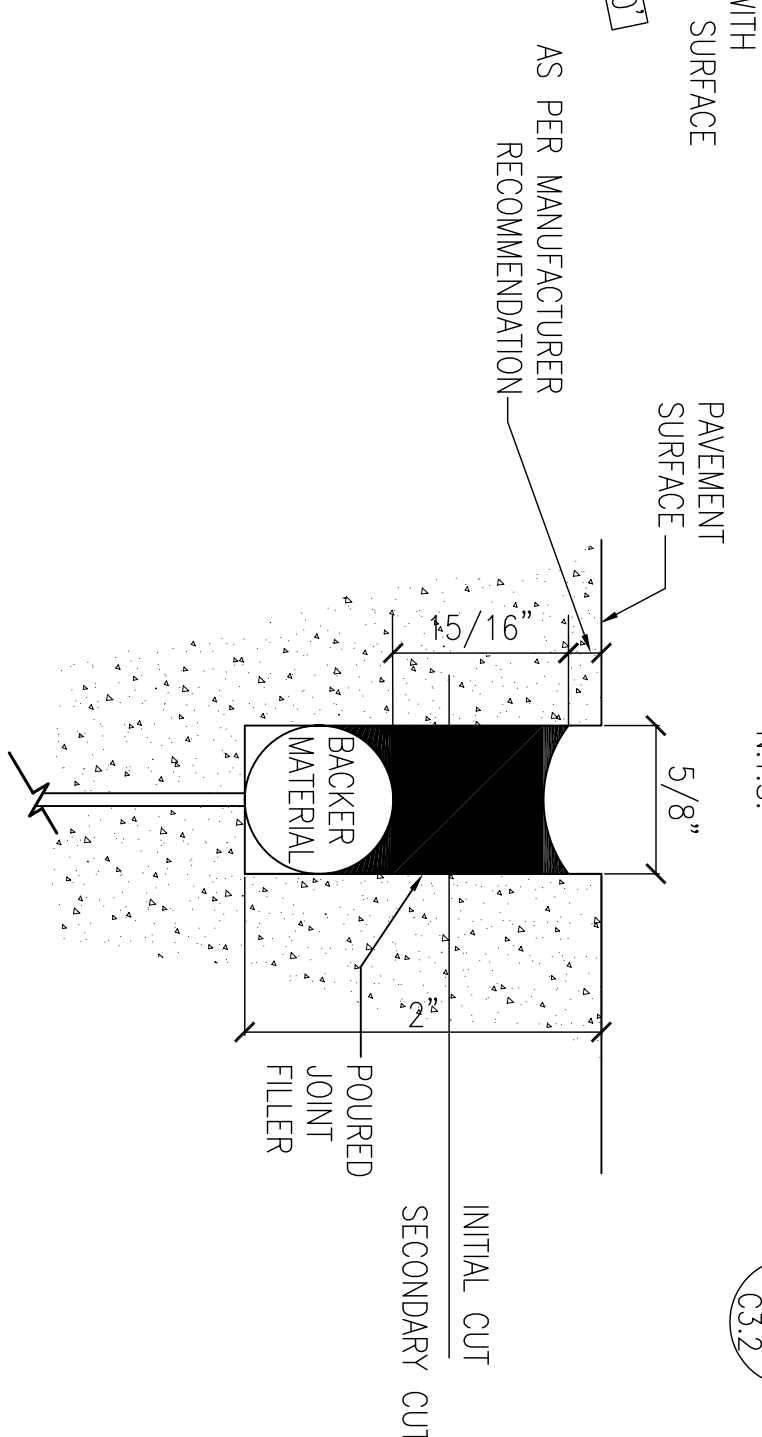
SIDEWALK SECTION
N.T.S.
27
C3.1
C3.2



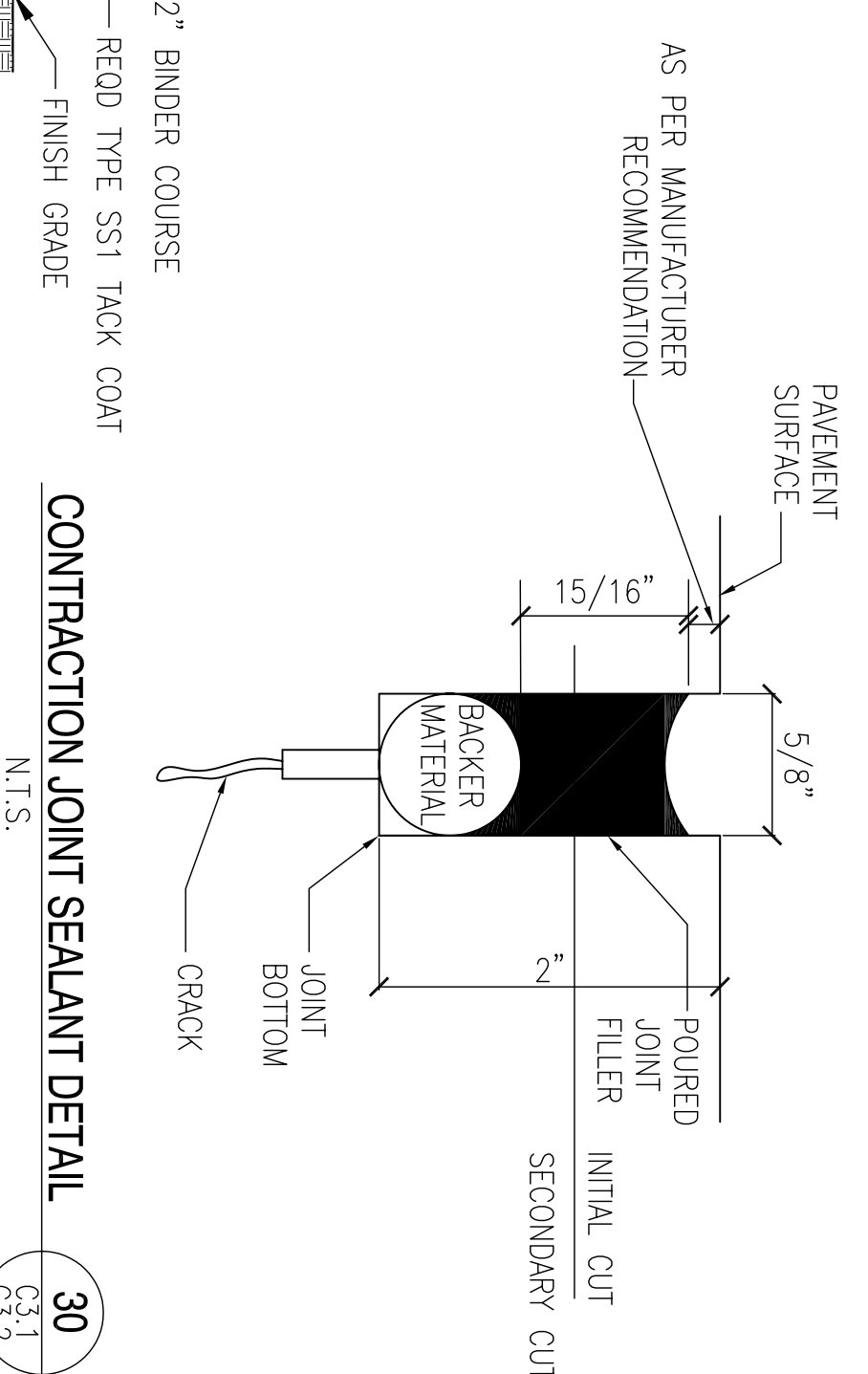
LEGEND
LONGITUDINAL CONSTRUCTION JOINT (LCJ)
LONGITUDINAL CONTRACTION JOINT (LJ)
PERIMETER CONNECTION (PC)
EXPANSION JOINT (EJ)
TRANSVERSE CONSTRUCTION JOINT (TCJ)
TRANSVERSE CONTRACTION JOINT (TJ)
THICKENED EDGE (TE)
DRAINAGE PATTERN DIRECTION



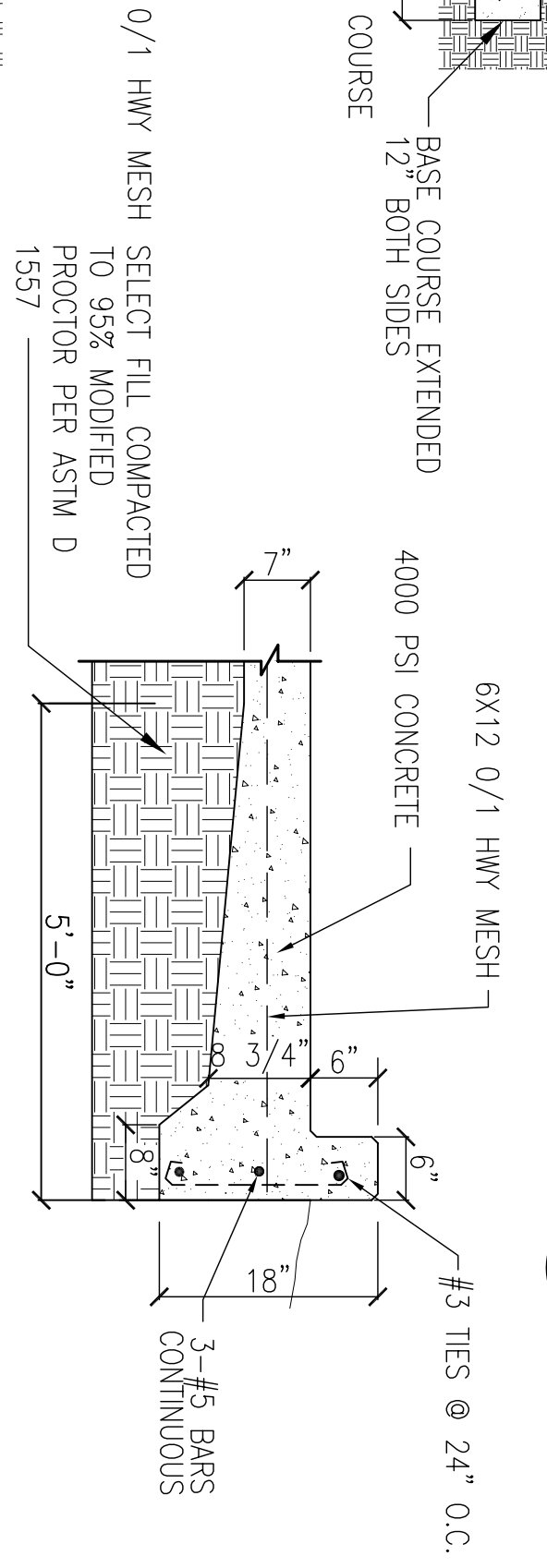
EXPANSION JOINT SEALANT DETAIL (EJ) 28
C3.1
C3.2
N.T.S.



CONSTRUCTION JOINT SEALANT DETAIL 29
C3.1
C3.2
N.T.S.



CONTRACTION JOINT SEALANT DETAIL 30
C3.1
C3.2
N.T.S.



CURB DETAIL 31
C3.1
C3.2



SYM	DESCRIPTION	DATE	APPR
	REVISED AS PER URS COMMENTS 9 OCTOBER 2009	11-6-09	RW

DAMMON ENGINEERING, INC.
REGISTERED PROFESSIONAL ENGINEER
DAMMON & COMPANY, INC.
SIOLOLL, LA 70382
(985) 649-4832

EMMETT B. DAMMON
LICENSED PROFESSIONAL ENGINEER
STATE OF MISSISSIPPI
9862

NAVFAC

DES. C. DAMMON | DIR. C. DAMMON
FORWDRD BY: R. WITBE
P/IN/IN: T. ARPPE
CHIEF ENGINEER: P. DAMMON

DEPARTMENT OF THE NAVY
NAVAL FACILITIES ENGINEERING COMMAND SOUTHEAST
NAVAL AIR STATION JACKSONVILLE
MISSISSIPPI

JOHN C. STENNIS SPACE CENTER
SOF OPERATIONS AND COMBATANT
CRAFT OPERATIONS FACILITY - PRE-FINAL

PAVING PLAN PART 2

SCALE: AS SHOWN
SHEET NO. P-210
WORK ORDER NO. 510247
CONSTR. CONTR. NO. N62467-05-D-0096
NAVFAC DRAWING NO. 15026665
DATE: 18 OF 132

C3.2