

OPERATIONS BUILDING 2440

SECOND FLOOR FRAMING BY METAL BUILDING MANUFACTURER

**ARMORY / EQ. MEZZANINE
STRUCTURAL FRAMING PLAN**

SCALE: 1/8" = 1'-0"

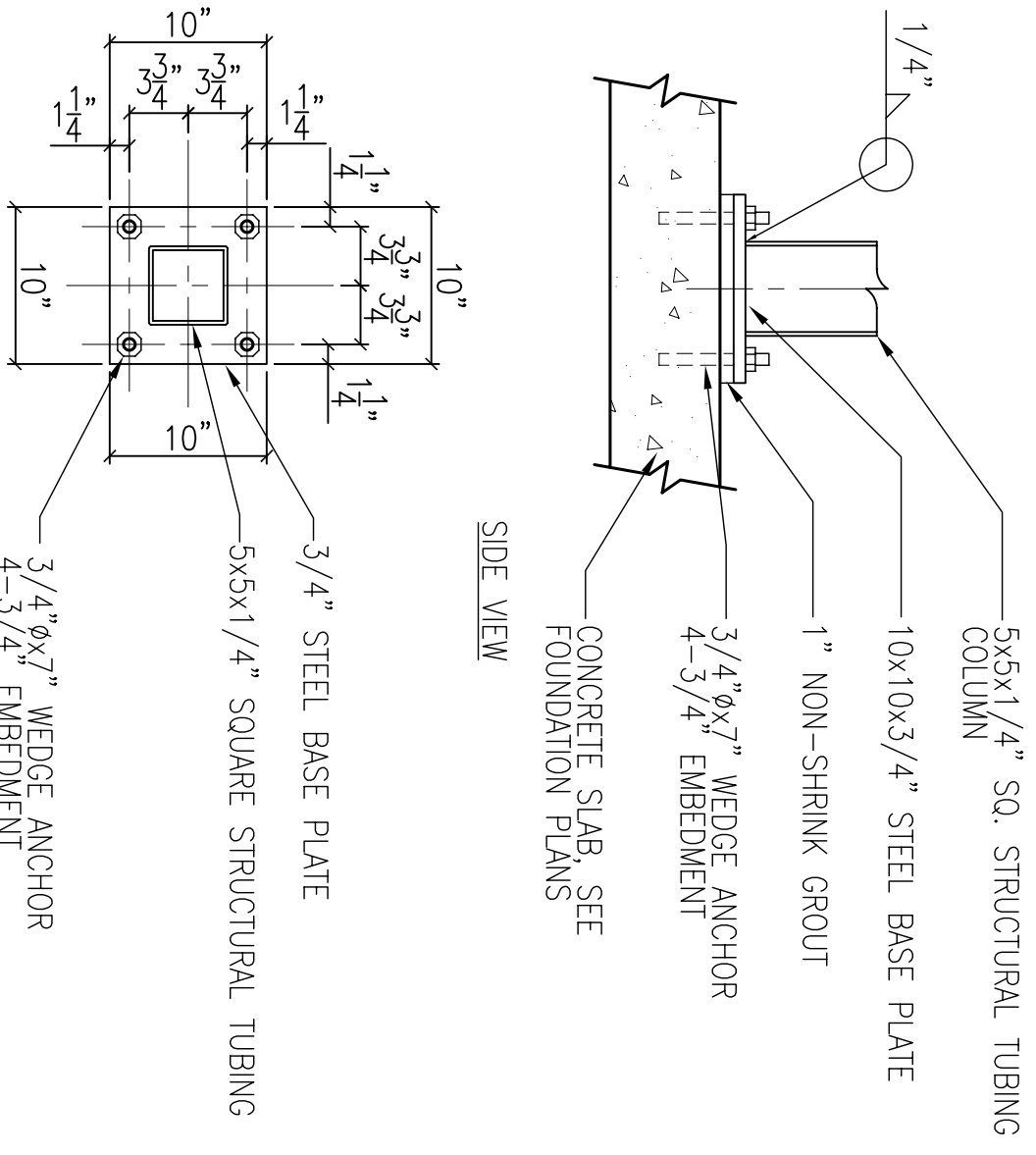
PLAN
NORTH



COLUMN BASE PLATE DETAIL

SCALE: 3/4" = 1'-0"

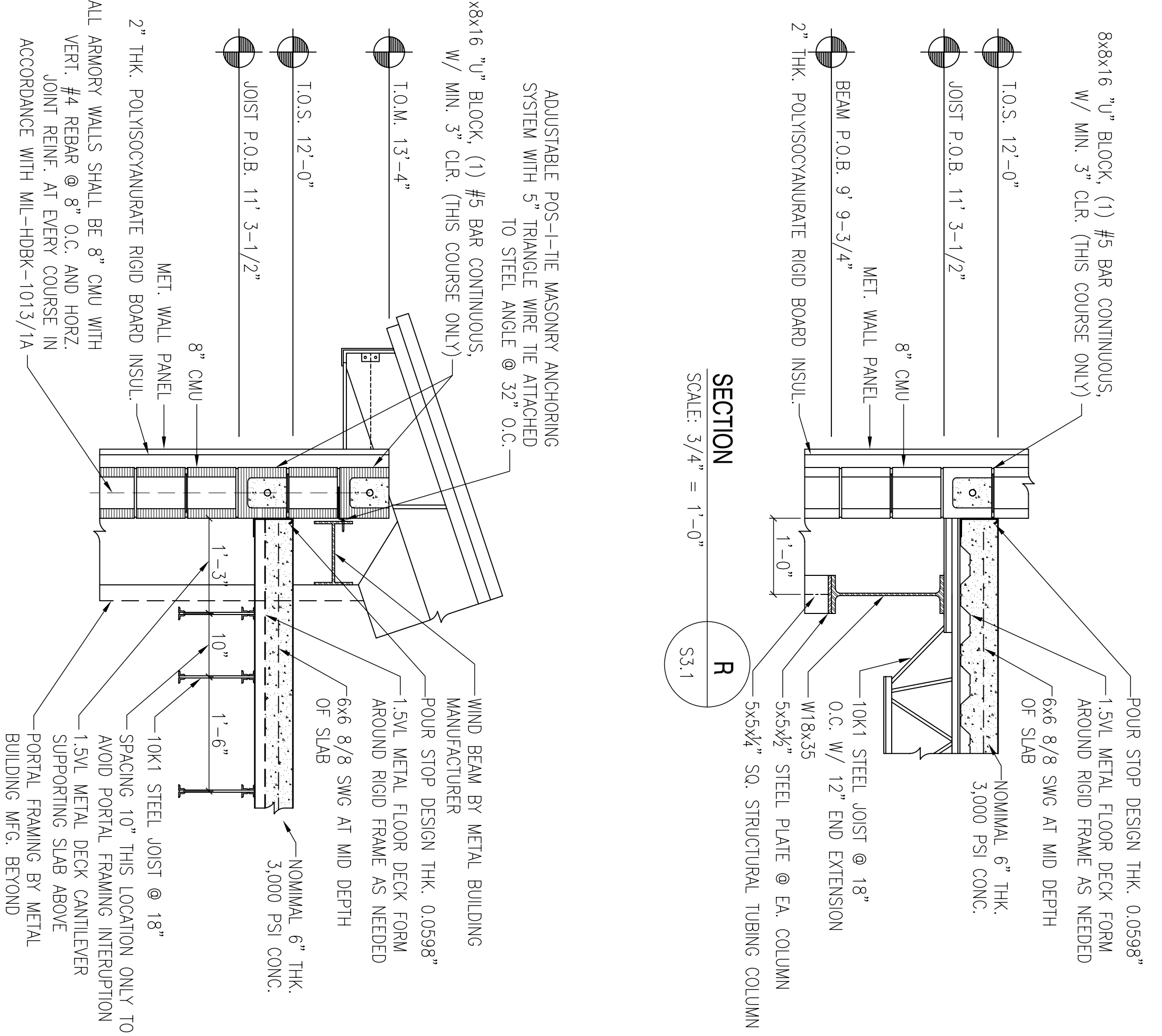
S3.1



SECTION

SCALE: 3/4" = 1'-0"

S3.1



SECTION

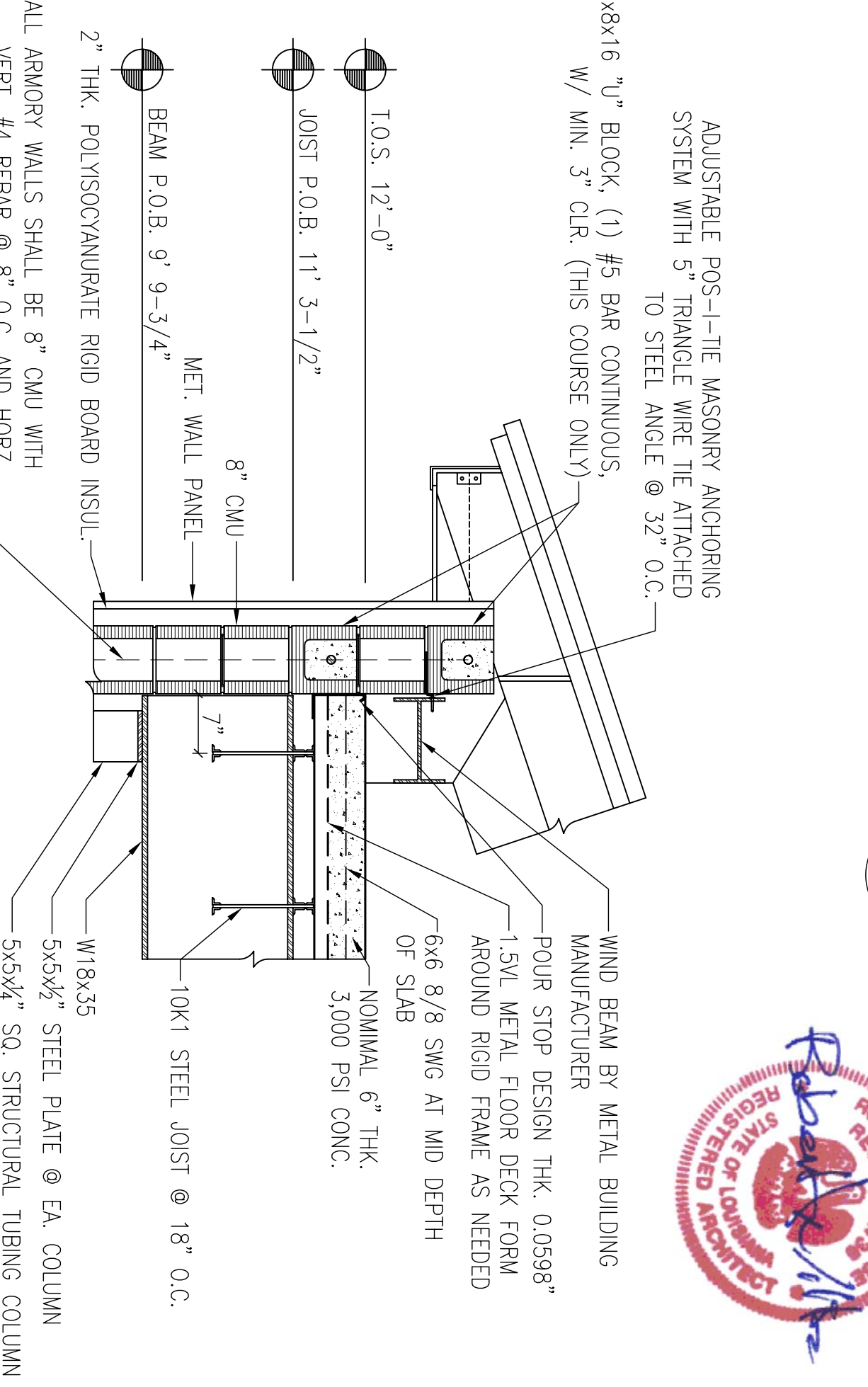
SCALE: 3/4" = 1'-0"

S3.1

SECTION @ EQUIPMENT MEZZ.

N.T.S.

S3.1



DEPARTMENT OF THE NAVY NAVAL FACILITIES ENGINEERING COMMAND SOUTHEAST IFT GULF COAST JOHN C. STENNIS SPACE CENTER MISSISSIPPI SOF RIVERINE AND COMBATANT CRAFT OPERATIONS FACILITY - PRE-FINAL ARMORY / EQ. MEZZ. STRUCTURAL FRAMING PLAN		NAVAL FACILITIES ENGINEERING COMMAND NAVAL AIR STATION JACKSONVILLE MISSISSIPPI	DES. R. WITSE / DRAW. J. TRIFANU CHECKED BY S. WITSE / TYPED & PLOTTED BY S. WITSE DATE: 08/20/09	EMMETT B. DAMMON LICENSED PROFESSIONAL ENGINEER STATE OF MISSISSIPPI LICENSE NO. 9882	DAVIMON ENGINEERING, INC. ENGINEER: EMMETT B. DAMMON, P.E. PROJECT MANAGER: JEFFREY A. WITSE 1000 N. GULF BLVD. SUITE 100 JACKSON, MISSISSIPPI 39201 (601) 689-8512 FAX: (601) 689-8512	NAVFAC	REVISED AS PER URS COMMENTS 9 OCTOBER 2009	11-6-09	RW	APPR
CODE ID: NO. N4412 SCALE: AS SHOWN SHEET: 77 OF 132	WORK ORDER NO.: 510247 CONSR. CONTR. NO.: N62467-05-D-10096 NAFC DRAWING NO.: 15028724	NAFC	DATE: 11-6-09	APPR: RW	DESCRIPTION:	DATE: 11-6-09	APPR: RW	DATE: 11-6-09	APPR: RW	