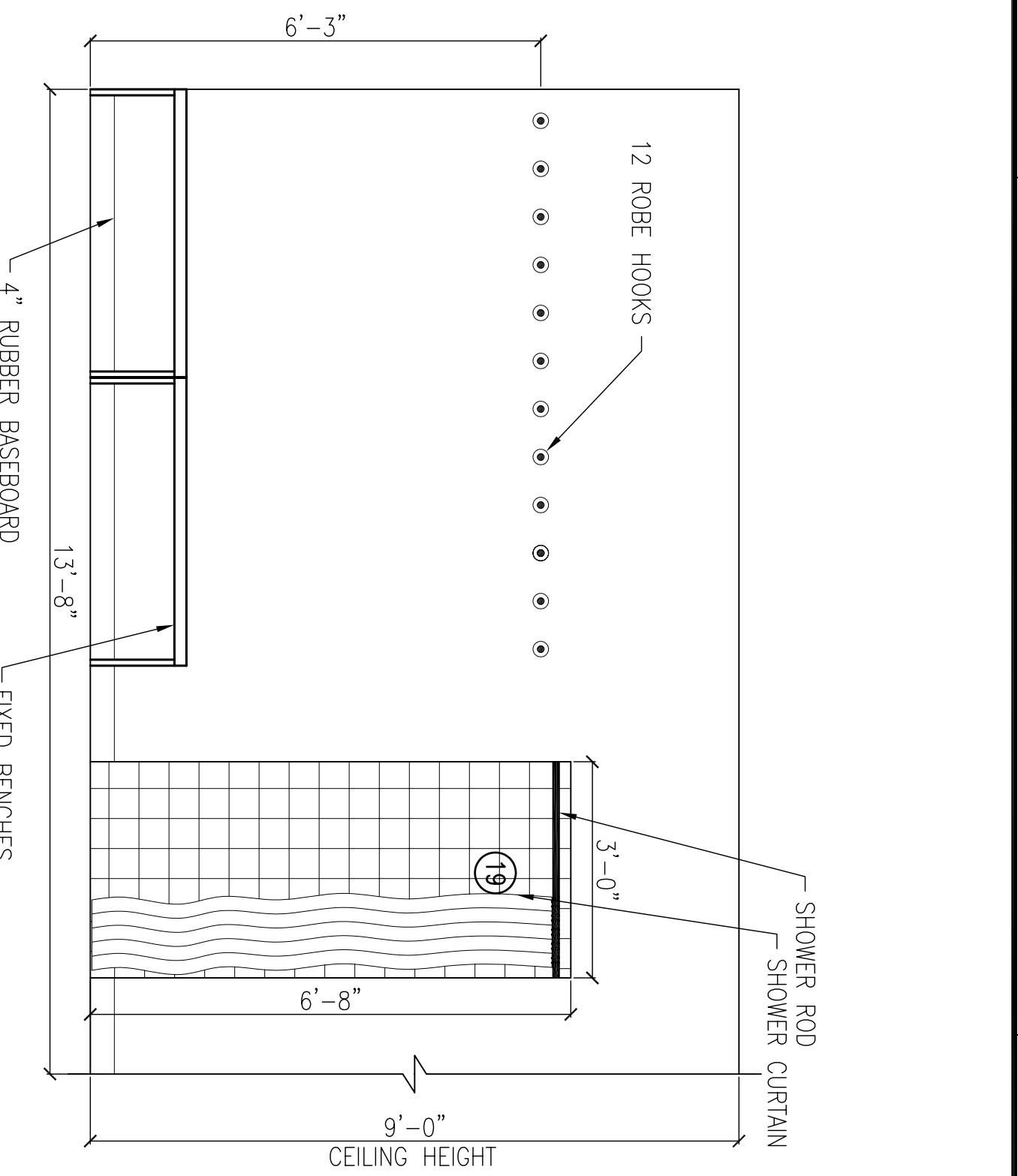


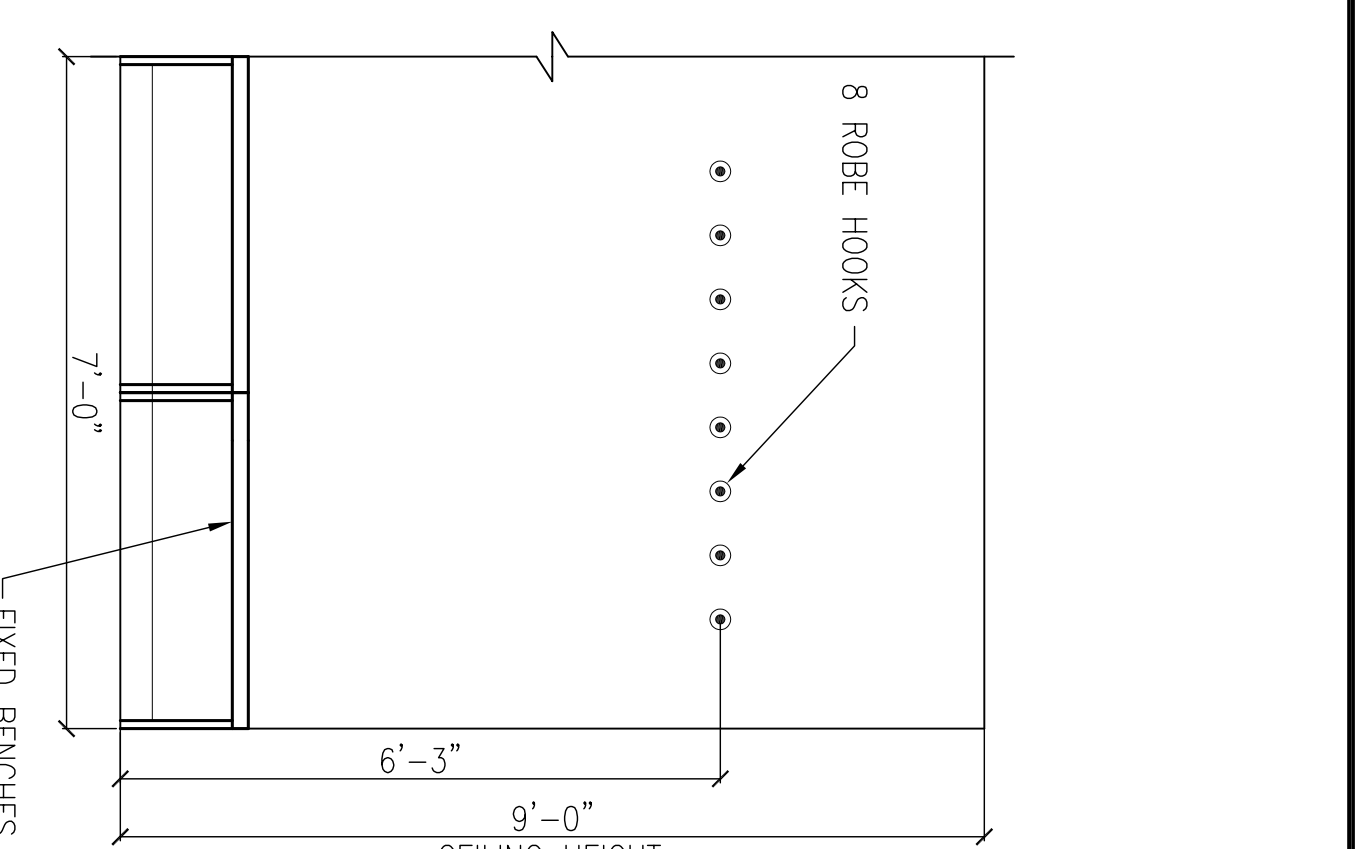
ROOM 110 INTERIOR ELEVATION 5
1/2" = 1'-0"

A1.1



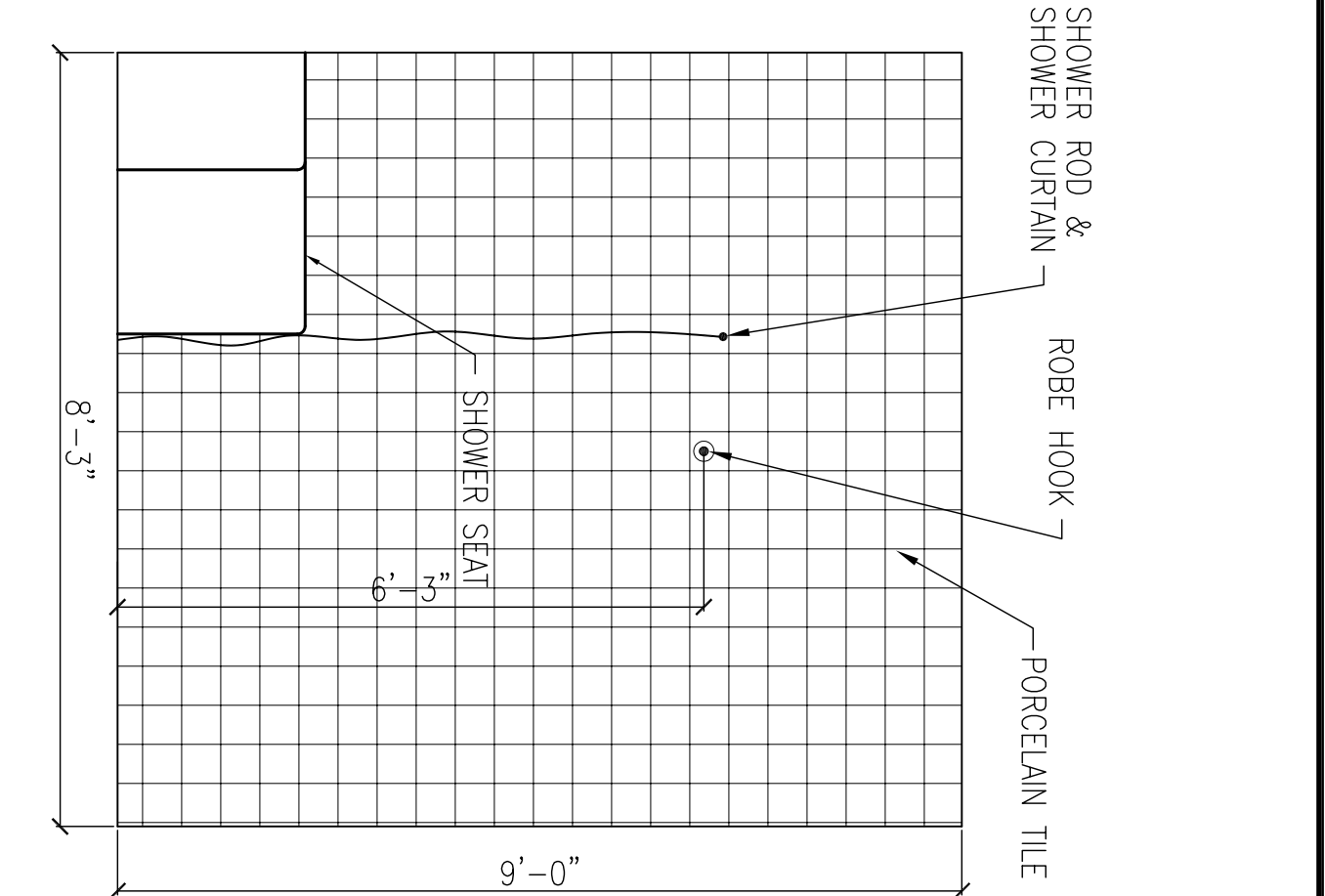
ROOM 105 INTERIOR ELEVATION 6
1/2" = 1'-0"

A1.1



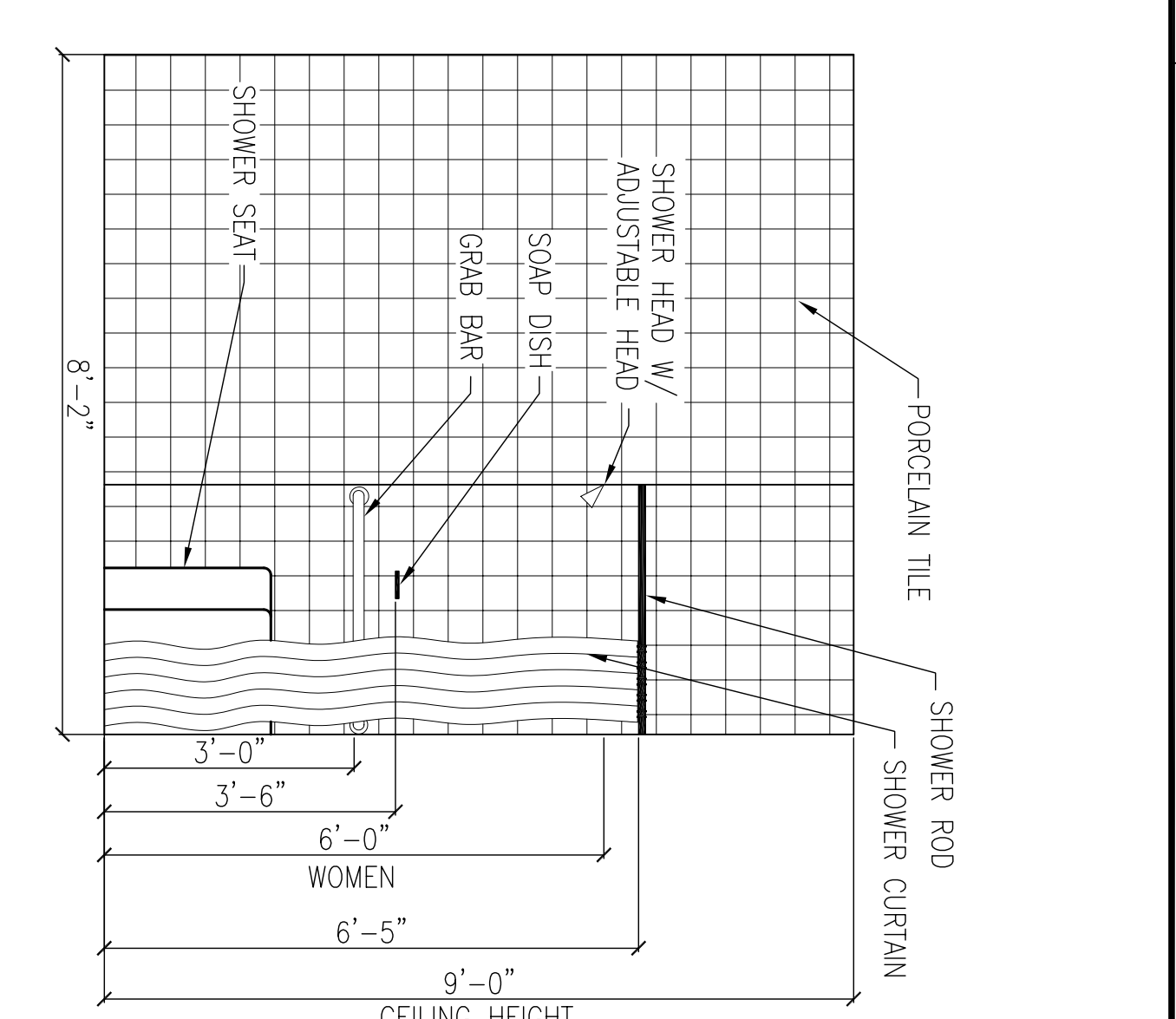
ROOM 105 INTERIOR ELEVATION 7
1/2" = 1'-0"

A1.1



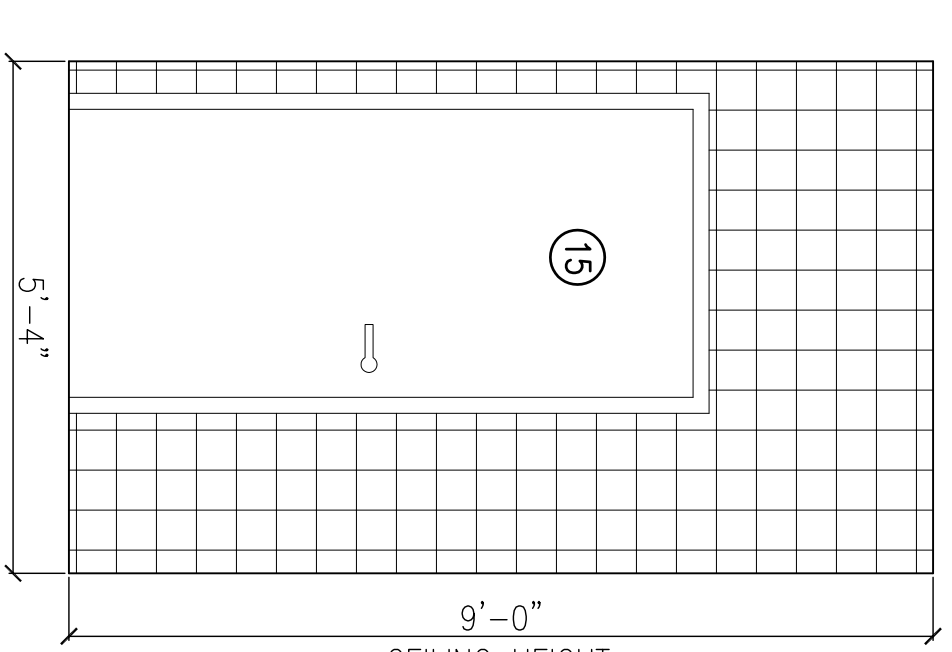
ROOM 108 INTERIOR ELEVATION 15
1/2" = 1'-0"

A1.12



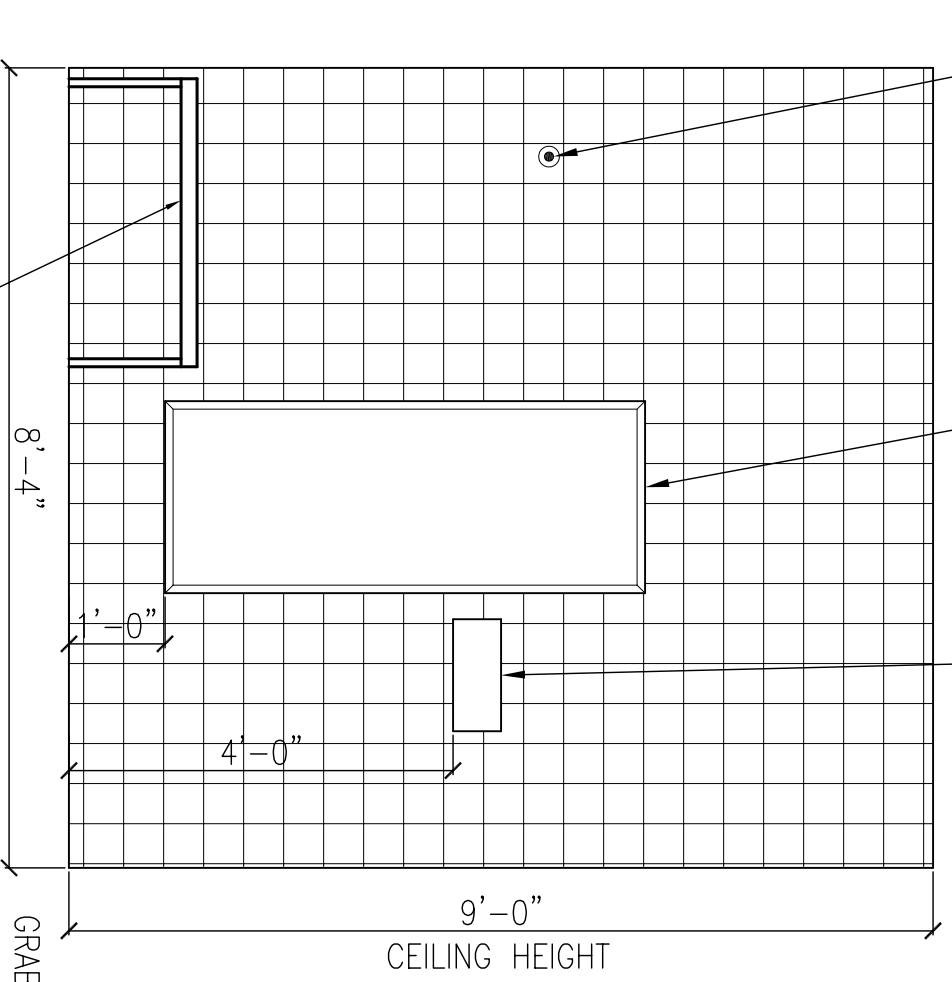
ROOM 108 INTERIOR ELEVATION 16
1/2" = 1'-0"

A1.12



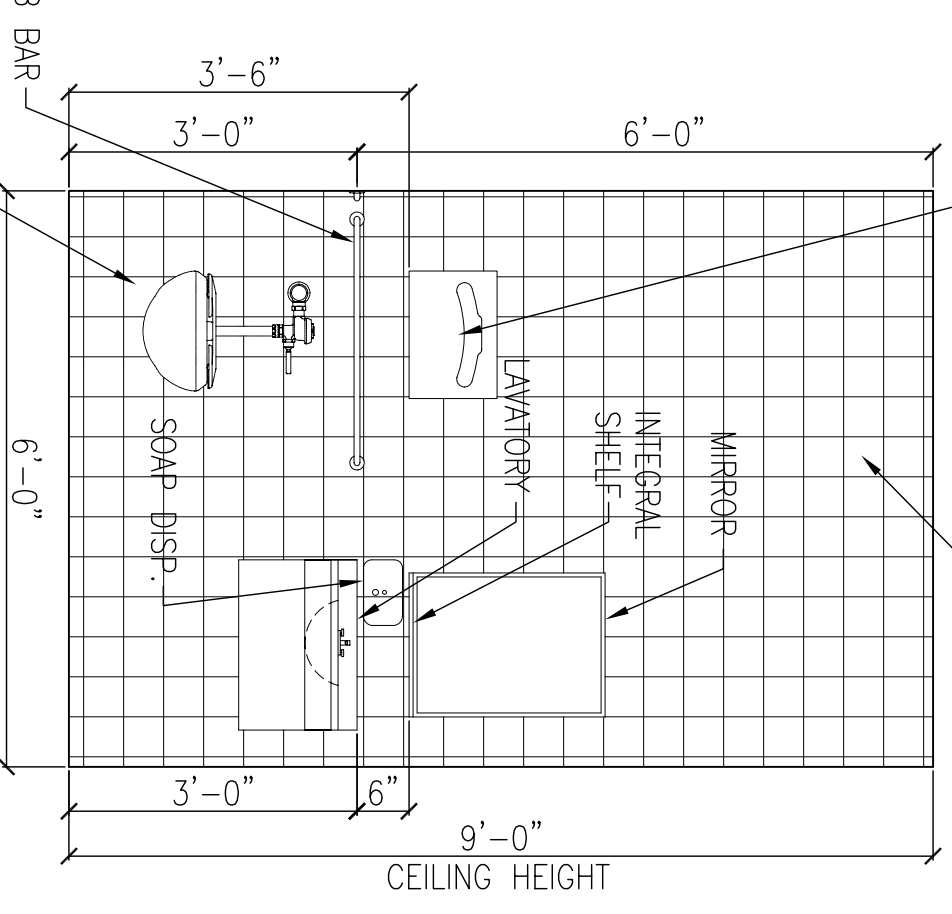
ROOM 108 INTERIOR ELEVATION 17
1/2" = 1'-0"

A1.12



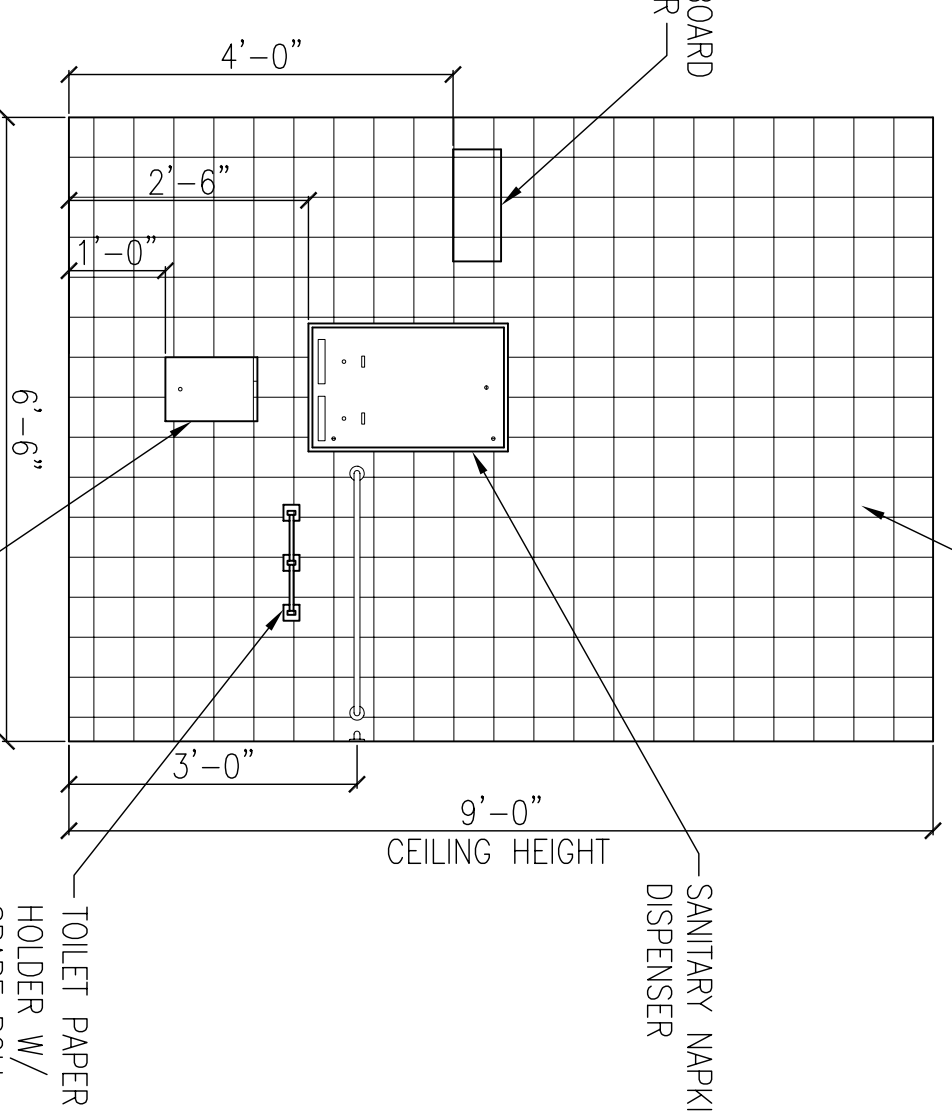
ROOM 108 INTERIOR ELEVATION 18
1/2" = 1'-0"

A1.12



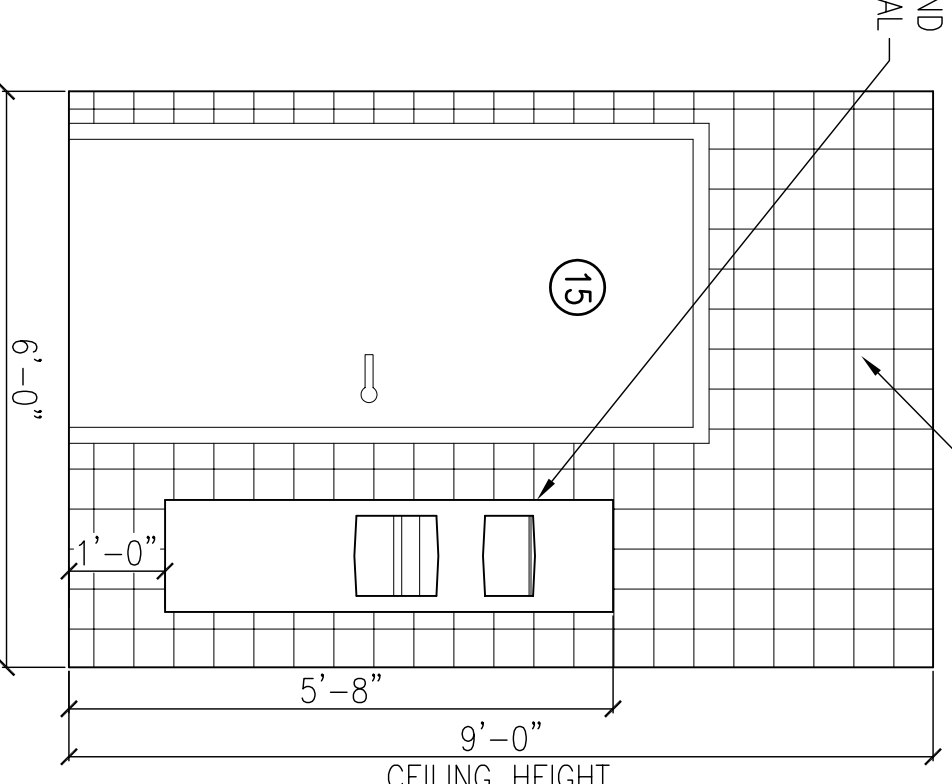
ROOM 109 INTERIOR ELEVATION 19
1/2" = 1'-0"

A1.12



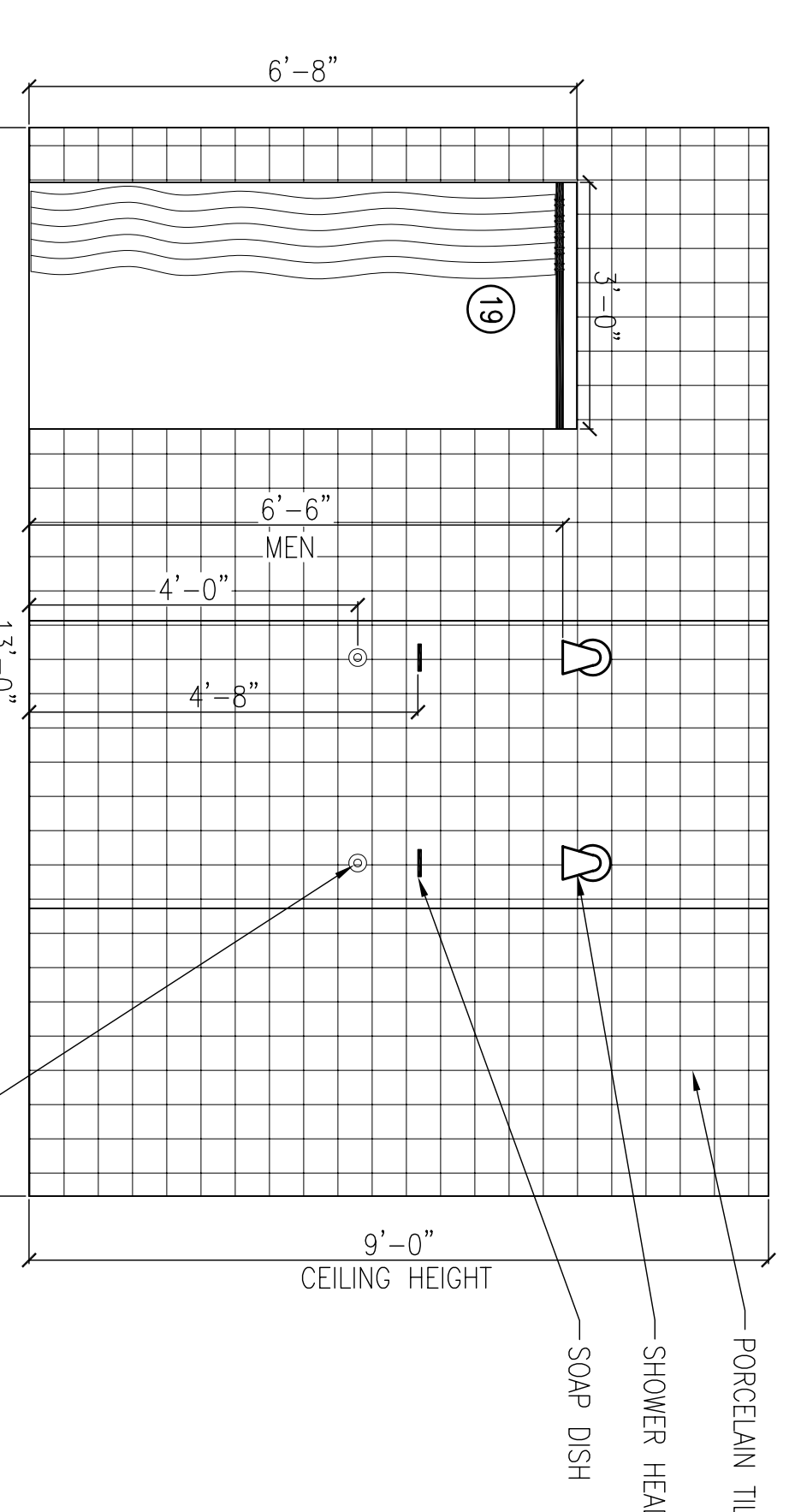
ROOM 109 INTERIOR ELEVATION 20
1/2" = 1'-0"

A1.12



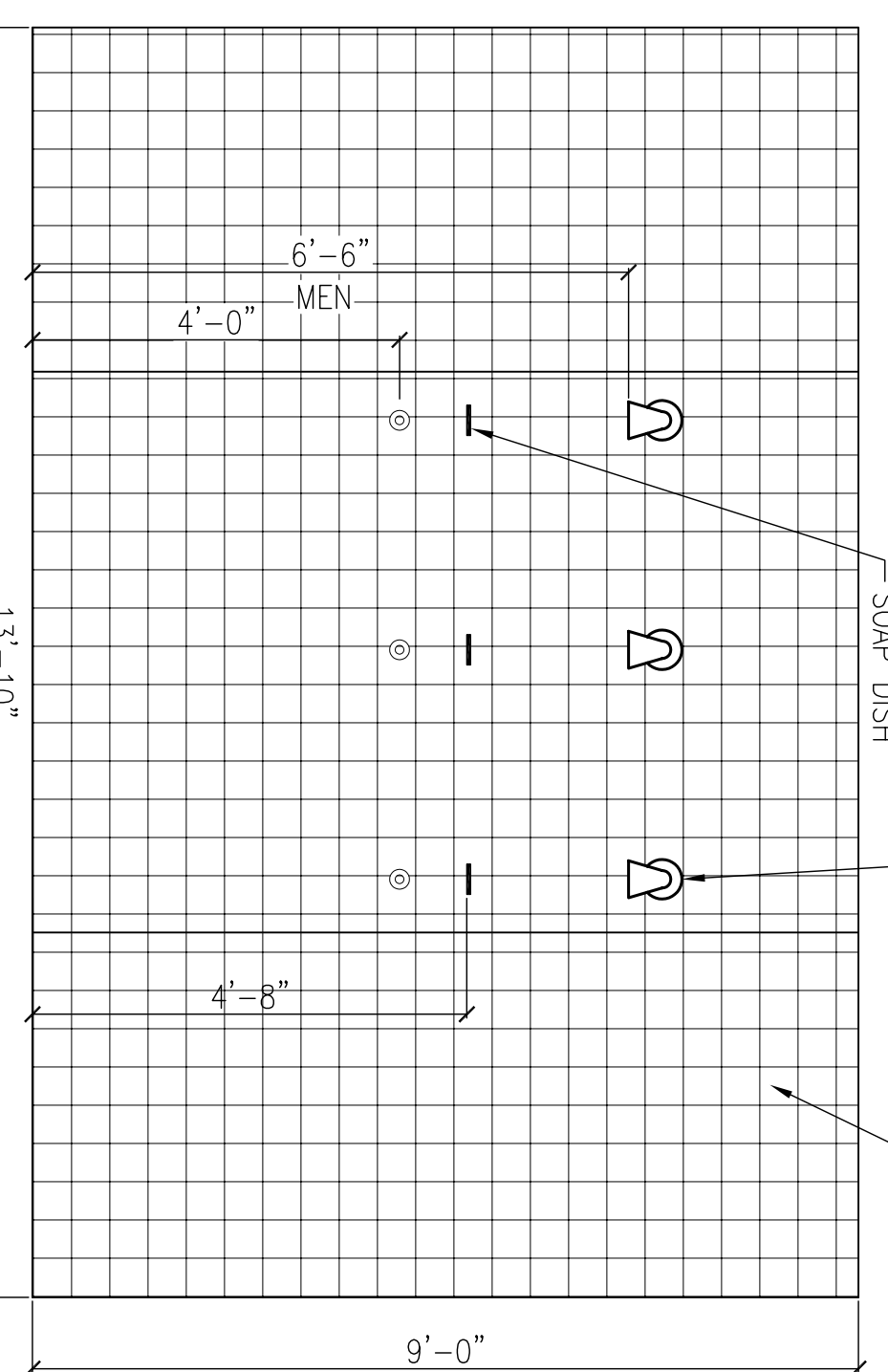
ROOM 109 INTERIOR ELEVATION 21
1/2" = 1'-0"

A1.12



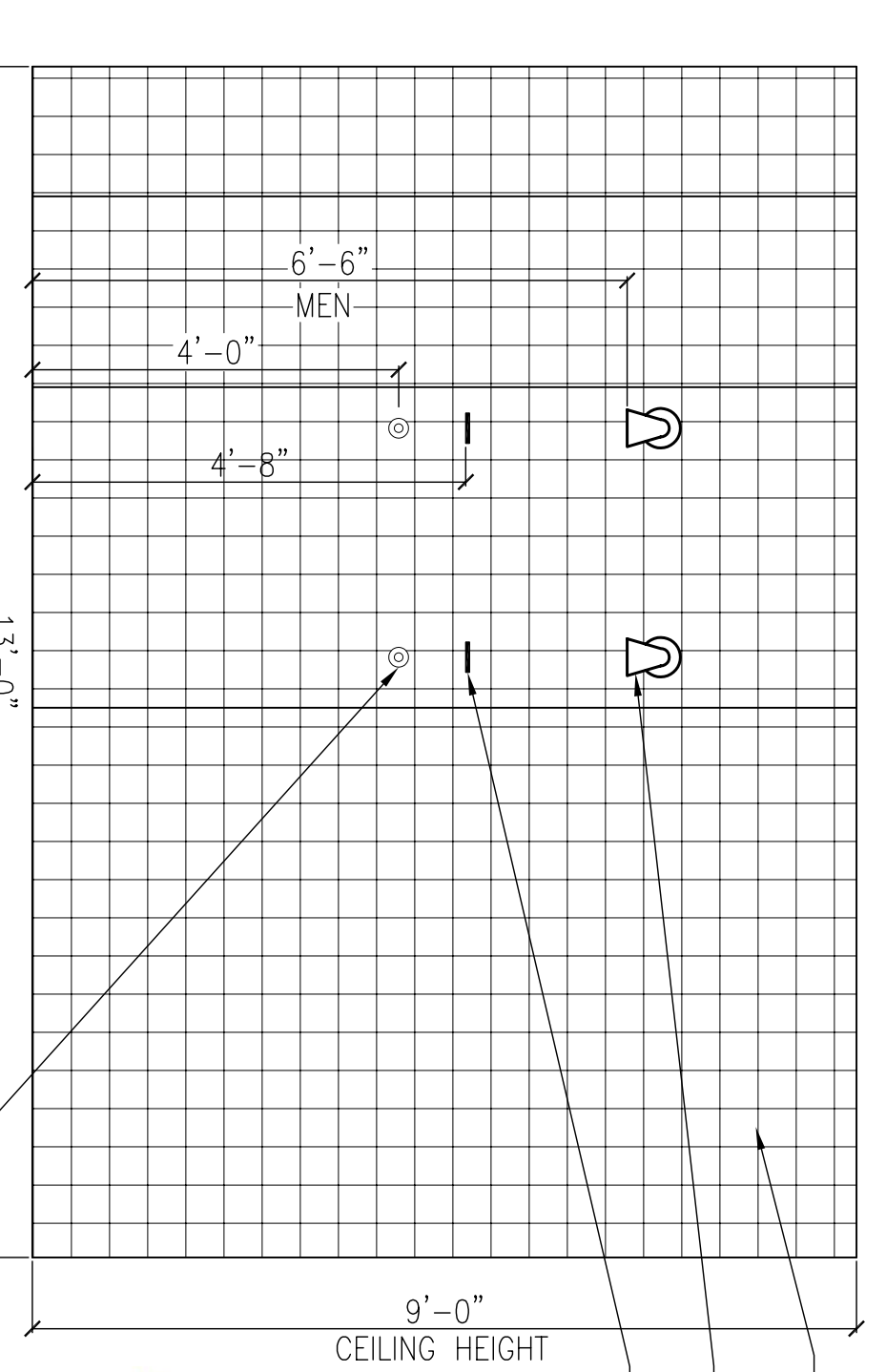
ROOM 112 INTERIOR ELEVATION 22
1/2" = 1'-0"

A1.12



ROOM 112 INTERIOR ELEVATION 23
1/2" = 1'-0"

A1.12



ROOM 112 INTERIOR ELEVATION 24
1/2" = 1'-0"

A1.12



SYM	DESCRIPTION	DATE	APPR

DAMMON ENGINEERING, INC.
 REGISTERED PROFESSIONAL ENGINEER
 STATE OF MISSISSIPPI
 LICENSE NO. 15062692
 15062692
 45 OF 132
 A1.15

EMMETT B. DAMMON
 LICENSED PROFESSIONAL ARCHITECT
 STATE OF MISSISSIPPI
 LICENSE NO. 9882
 9882

DEPARTMENT OF THE NAVY
 NAVAL FACILITIES ENGINEERING COMMAND SOUTHEAST
 IPT GULF COAST
 JOHN C. STENNIS SPACE CENTER MISSISSIPPI
SOF RIVERINE AND COMBATANT CRAFT OPERATIONS FACILITY - PRE-FINAL
 BLDG. 2440/2441 INTERIOR ELEVATIONS

DESIGNED BY: R. WITSE
 DRAWN BY: J. HERRMAN
 CHECKED BY: T. HARRIS
 PROJECT MANAGER: P. DAMMON
 DATE: 08/20/2024

SCALE: AS SHOWN
 SHEET NO.: P-210
 WORK ORDER NO.: 510247
 CONTRACT NO.: N62467-05-0-0096
 DRAWING NO.: 15062692