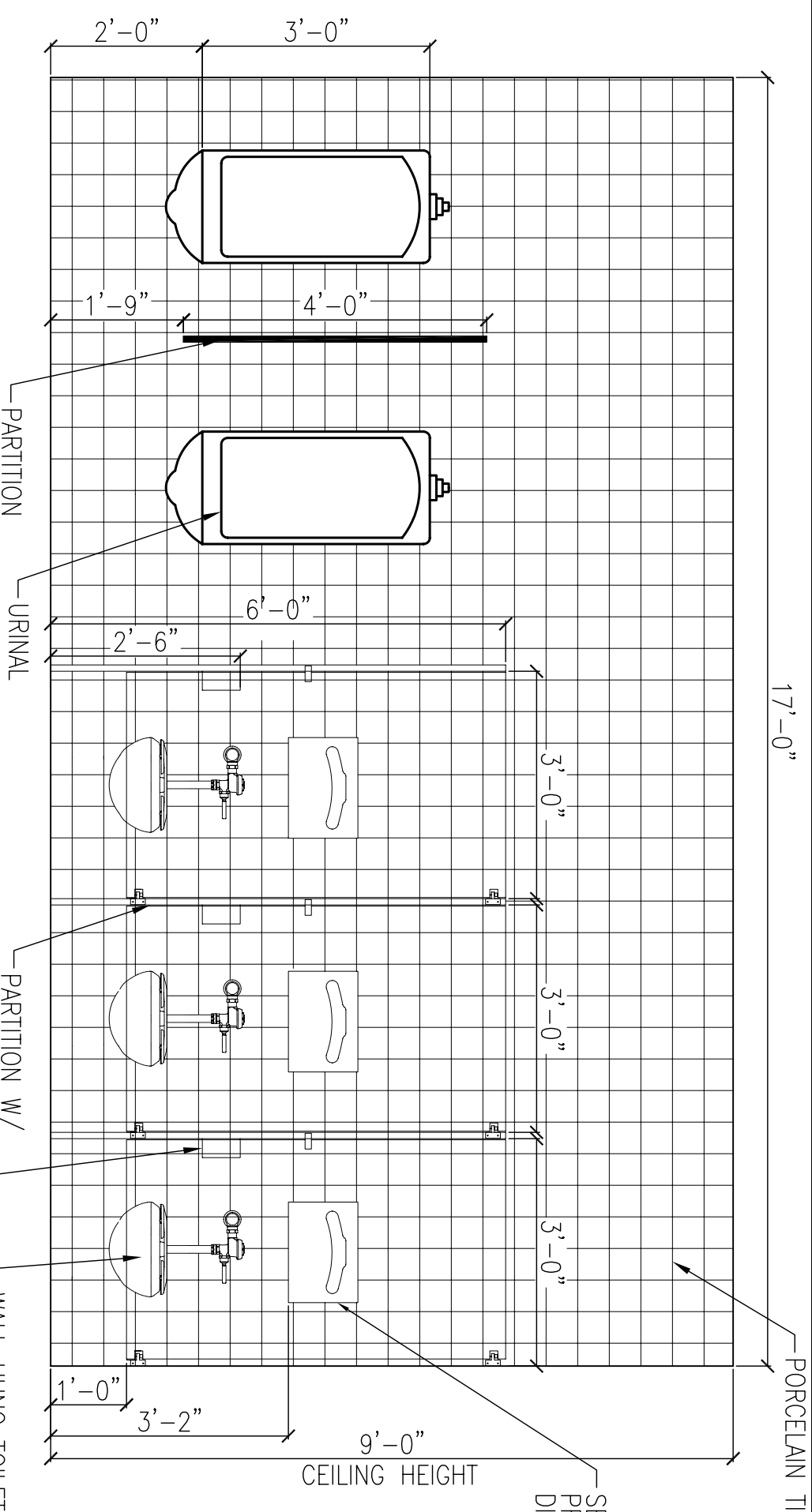
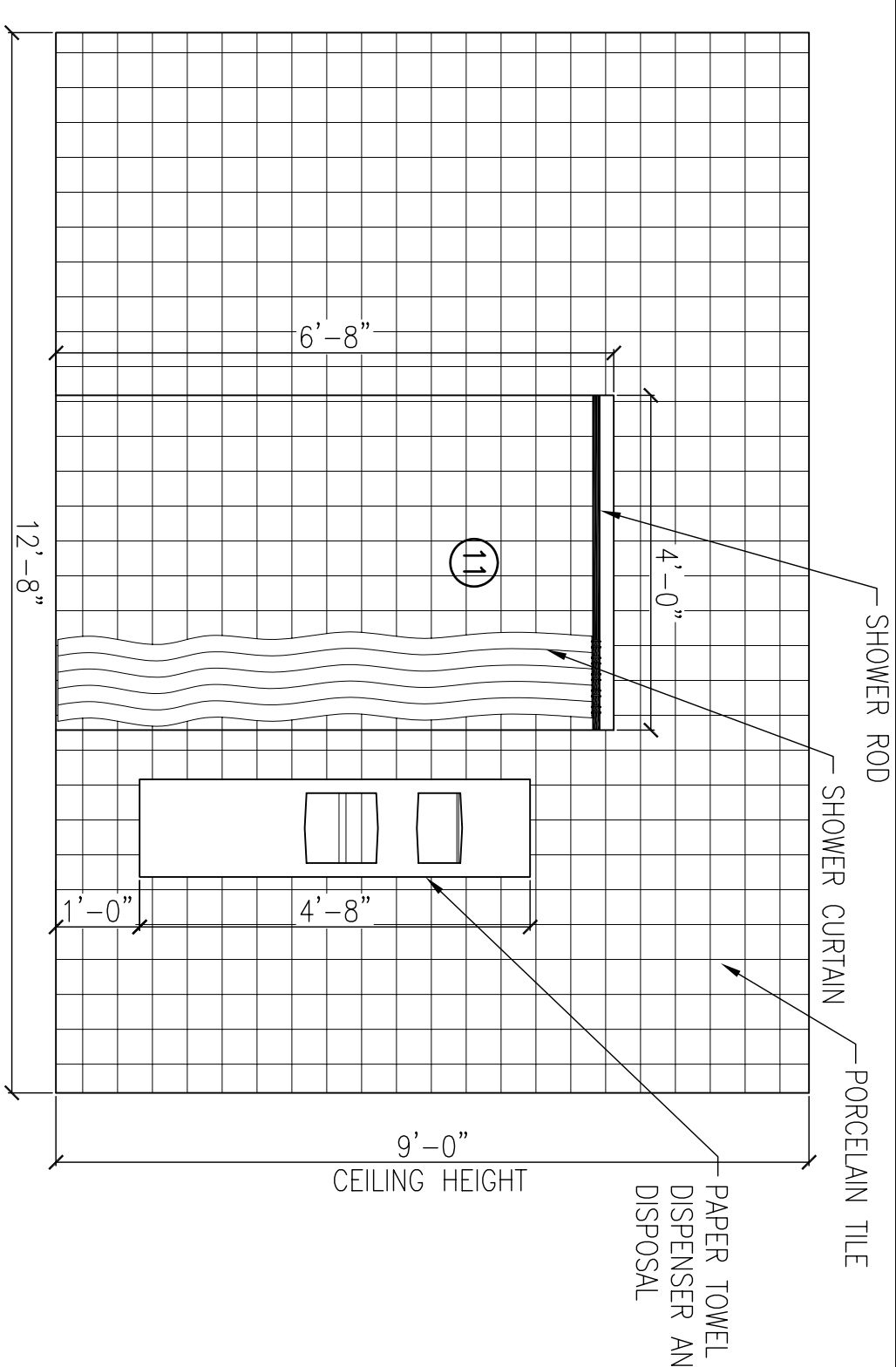


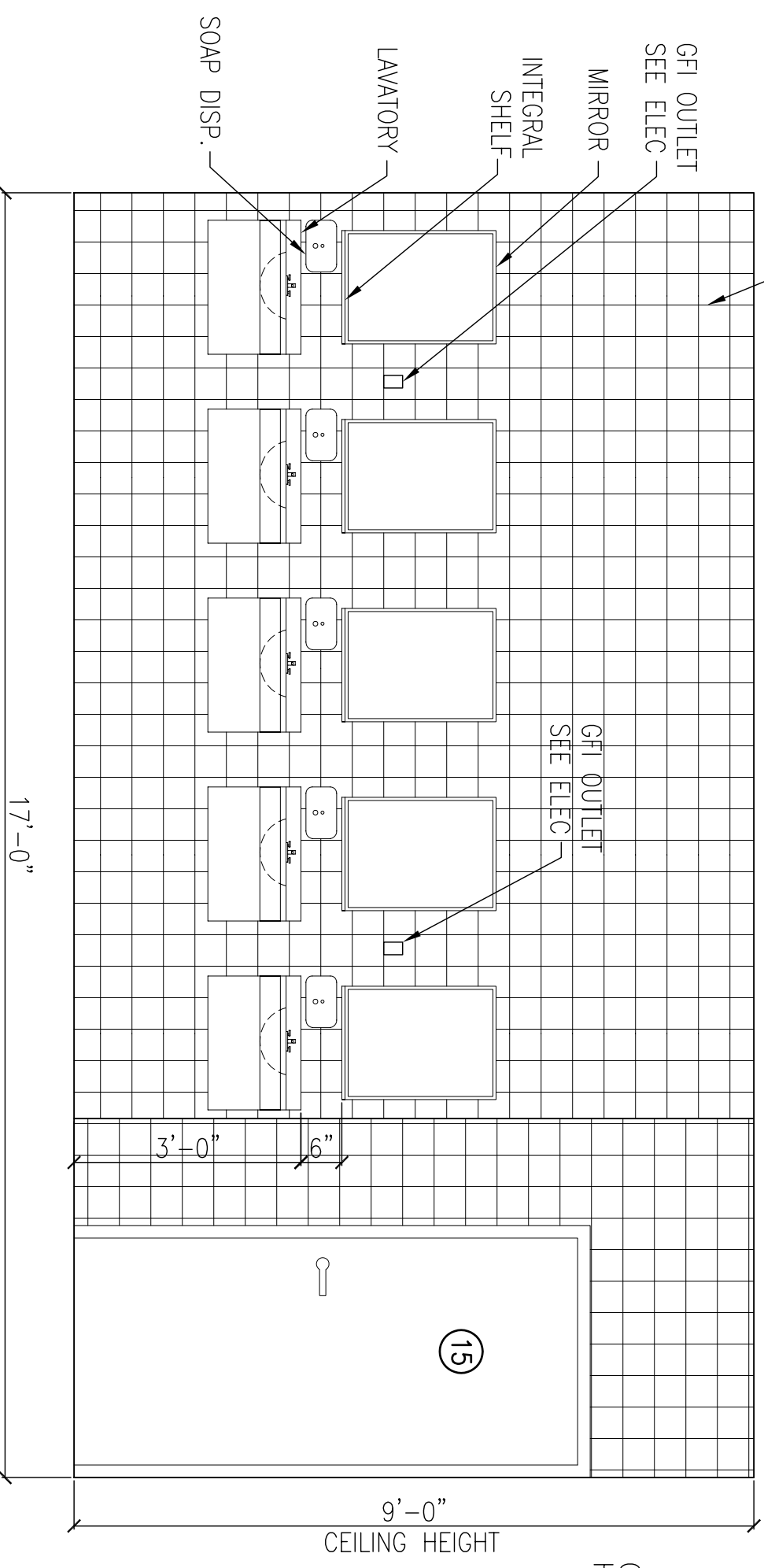
ROOM 112 INTERIOR ELEVATION 25
1/2" = 1'-0"



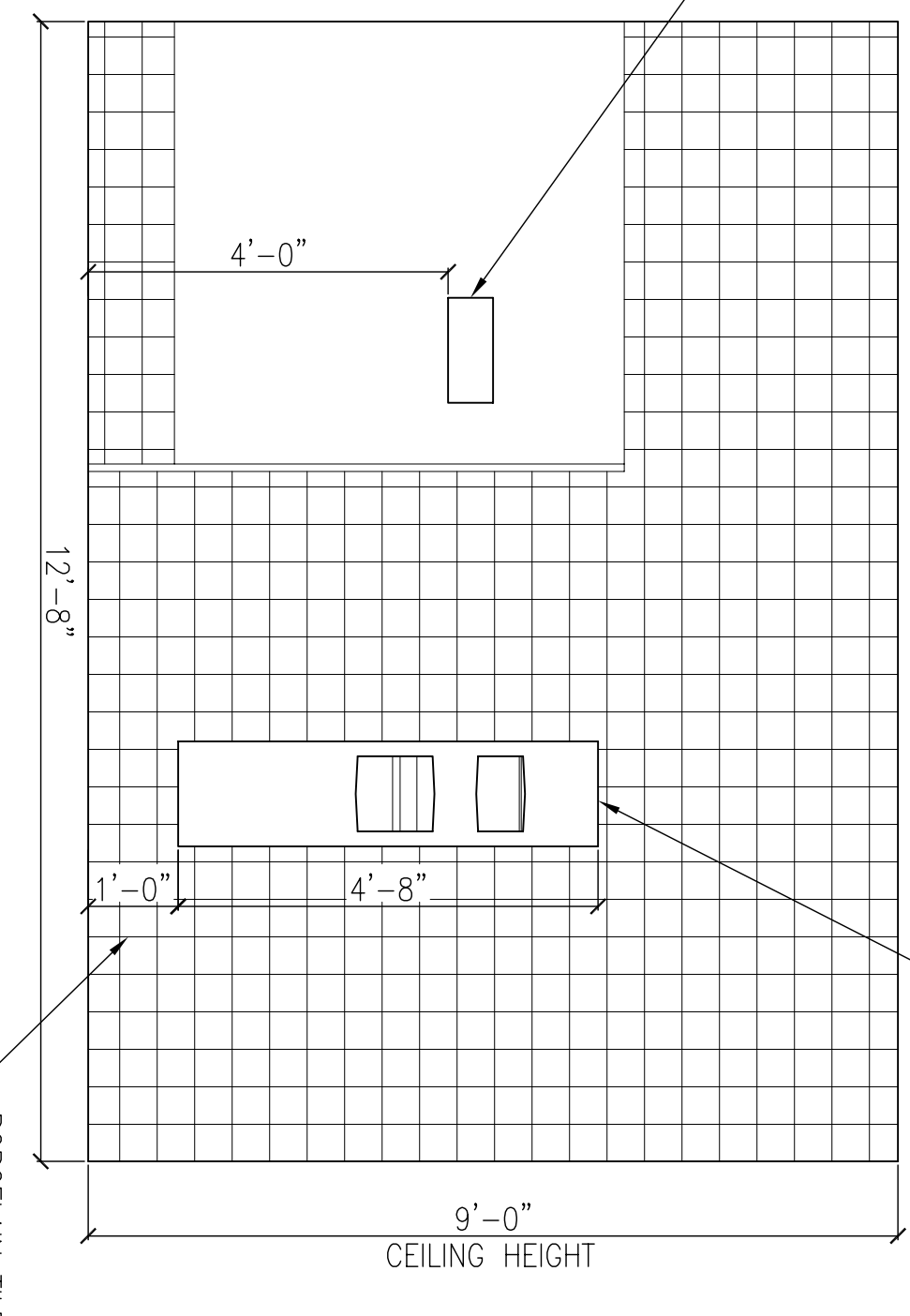
ROOM 111 INTERIOR ELEVATION 26
1/2" = 1'-0"



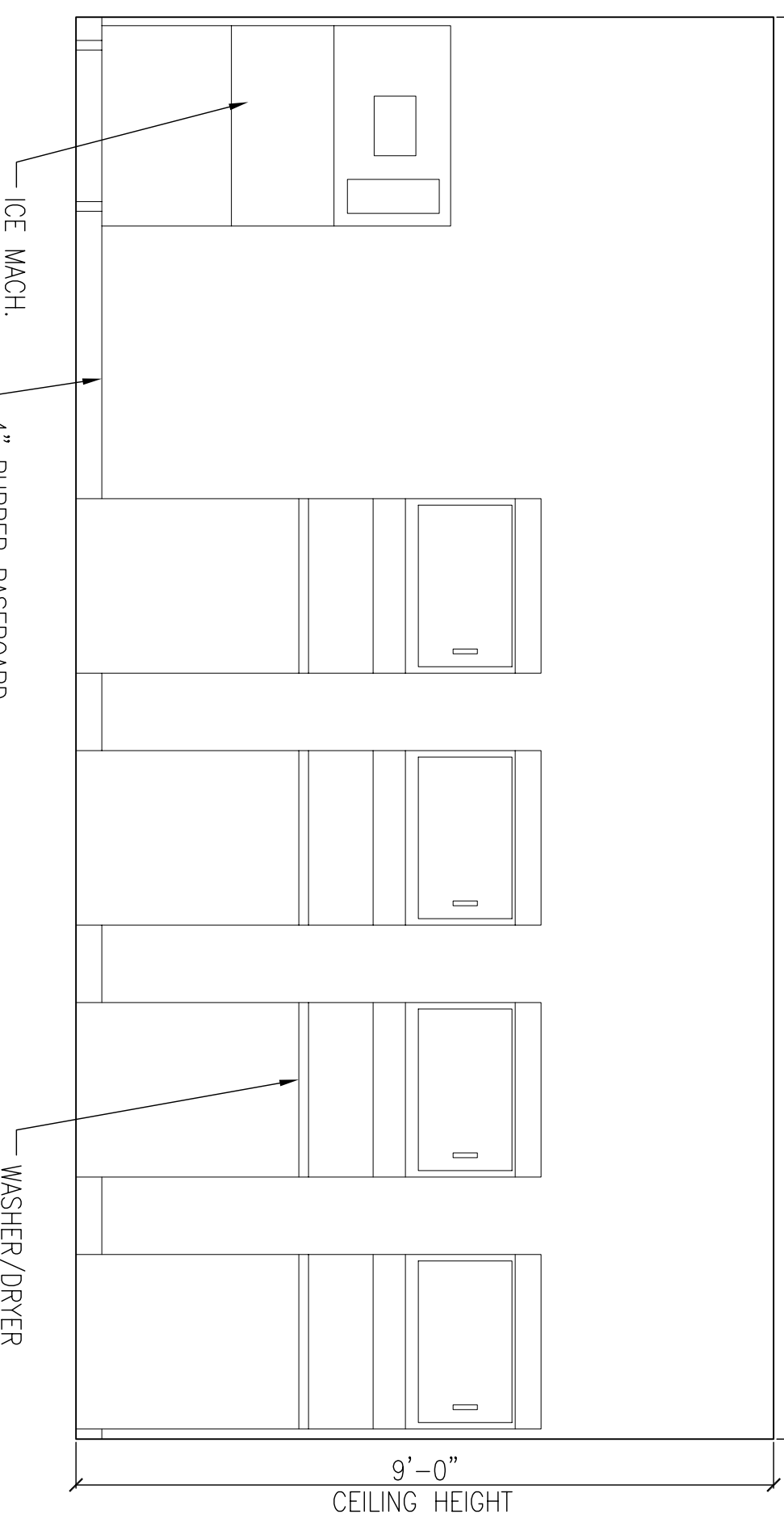
ROOM 112 INTERIOR ELEVATION 27
1/2" = 1'-0"



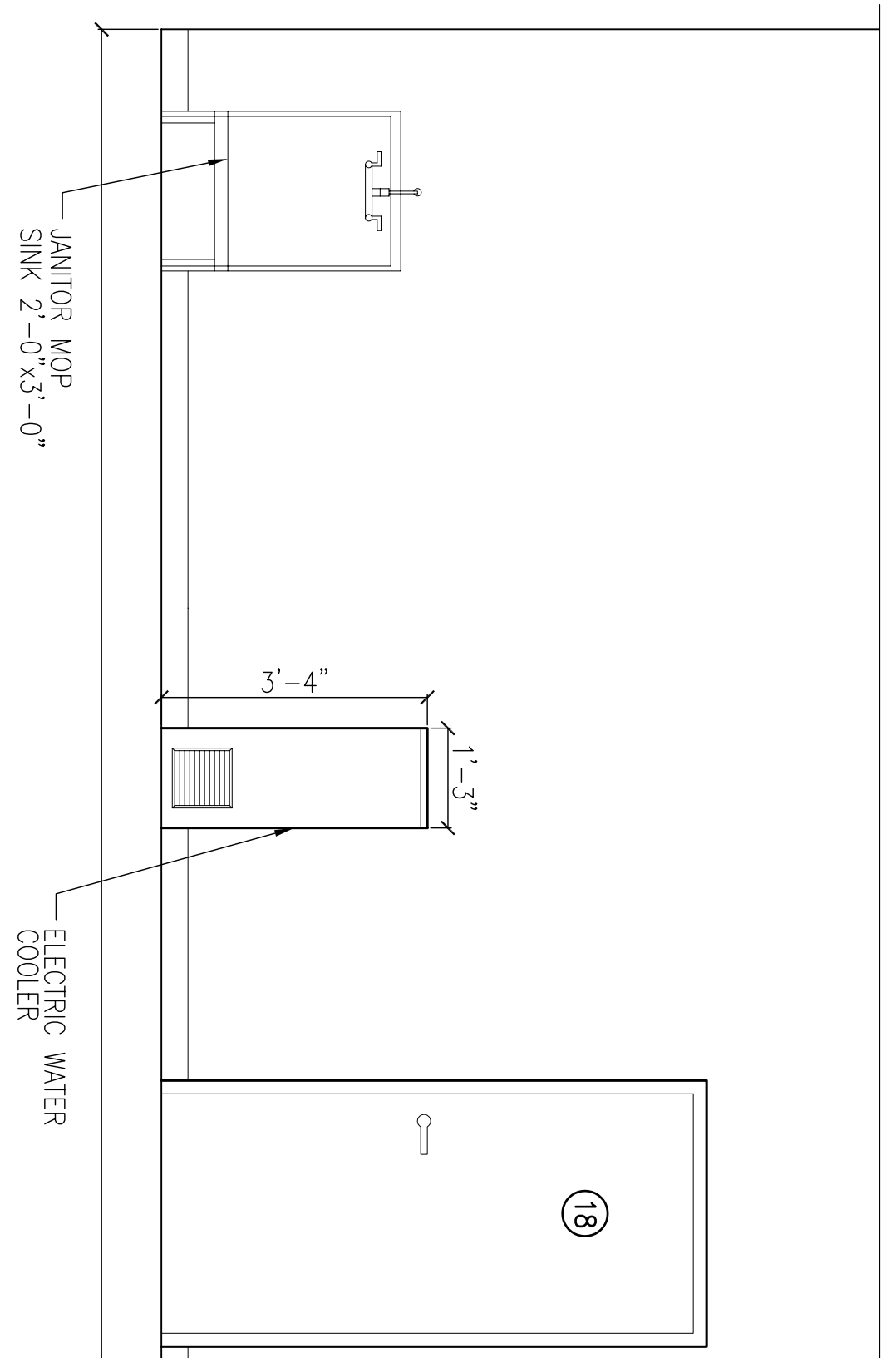
ROOM 111 INTERIOR ELEVATION 28
1/2" = 1'-0"



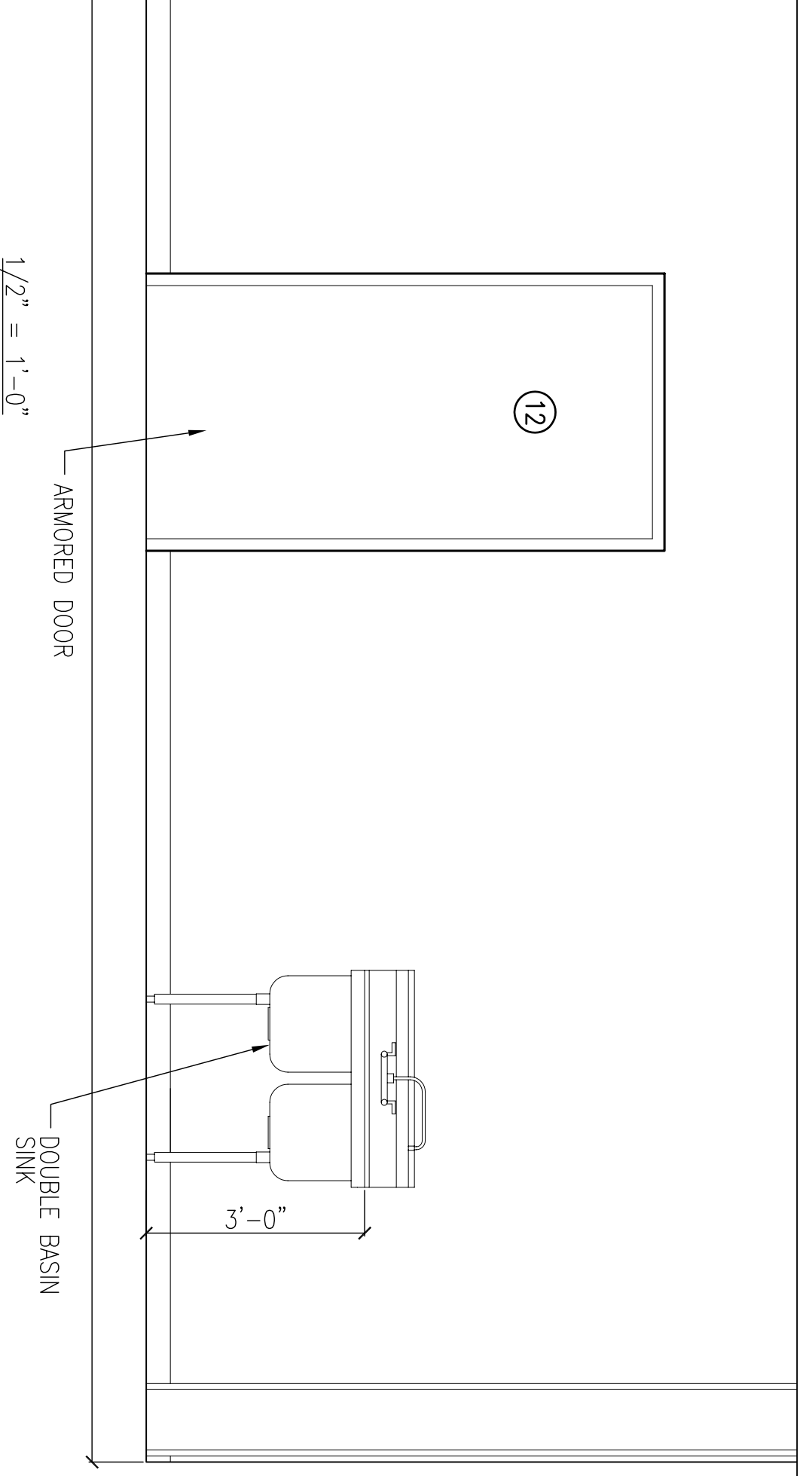
ROOM 111 INTERIOR ELEVATION 29
1/2" = 1'-0"



ROOM 105 INTERIOR ELEVATION 8
1/2" = 1'-0"



BLDG 2441 INTERIOR ELEVATION 9
1/2" = 1'-0"



BLDG 2441 INTERIOR ELEVATION 12
1/2" = 1'-0"



SYM	DESCRIPTION	DATE	APPR

DEPARTMENT OF THE NAVY
 NAVAL FACILITIES ENGINEERING COMMAND
 NAVAL FACILITIES ENGINEERING COMMAND SOUTHEAST
 IPT GULF COAST
 NAVAL AIR STATION JACKSONVILLE
 MISSISSIPPI
 JOHN C. STENNIS SPACE CENTER
SOF RIVERINE AND COMBATANT CRAFT OPERATIONS FACILITY - PRE-FINAL
 BLDG. 2440/2441 INTERIOR ELEVATIONS

DESIGNED BY: R. WHITE
 DRAWN BY: J. MEHANN
 CHECKED BY: T. ARBIB
 IN CHARGE: P. DAMON

EMMETT B. DAMMON
 ENGINEERING, INC.
 LICENSED PROFESSIONAL ENGINEER
 STATE OF MISSISSIPPI
 9652
 1500 N. W. 11TH ST.
 SUITE 100, LA 70002
 (985) 649-8312
 ESTABLISHED 4-2008

SCALE: AS SHOWN
 SHEET NO.: P-210
 WORK ORDER NO.: 510247
 CONTR. CENTER NO.: N62467-05-0-0096
 DRAWING NUMBER: 15026933
 SHEET: 46 OF 132

A1.16
 ORIGINAL REVISION: 01 JAN 2009