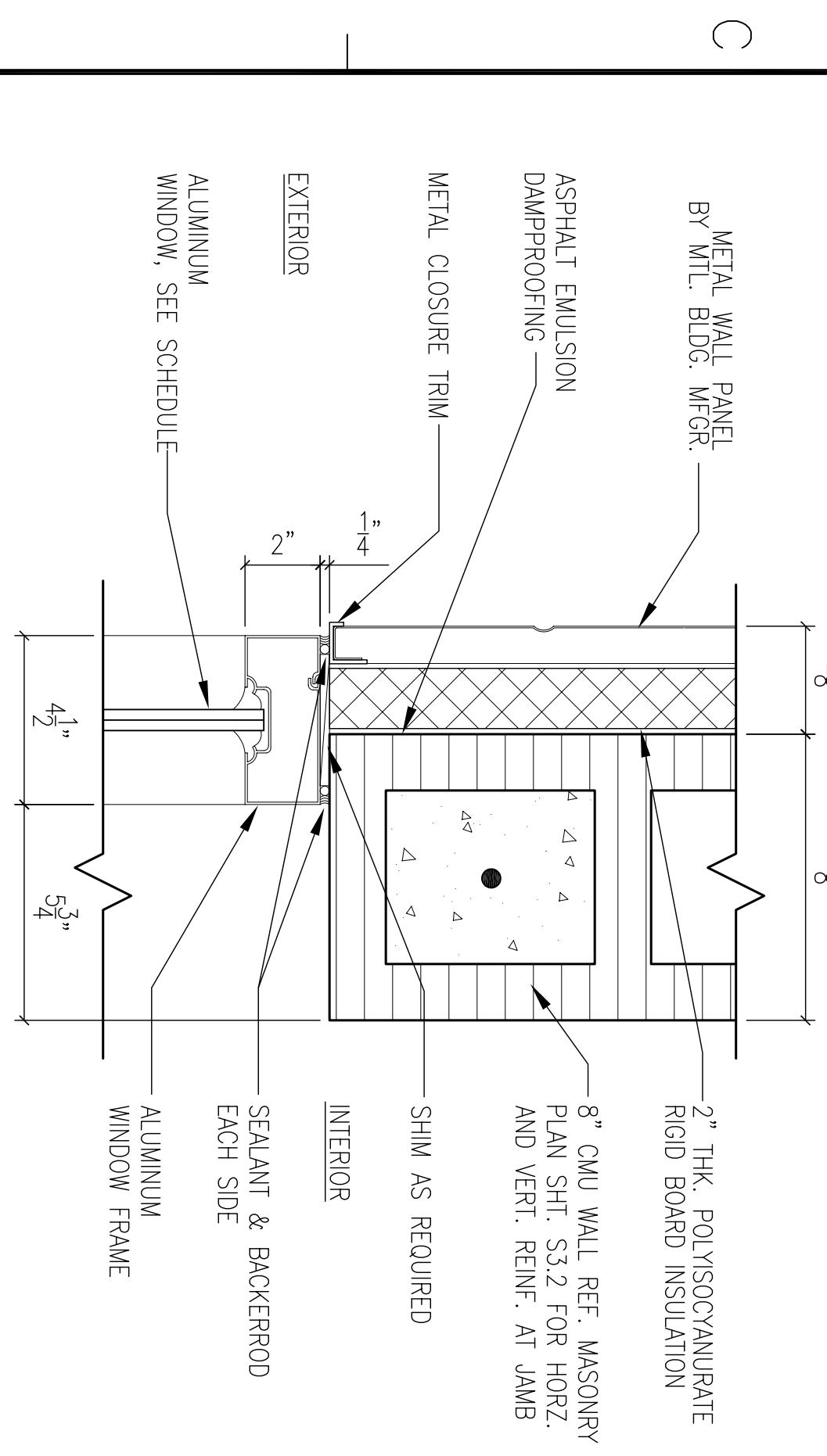
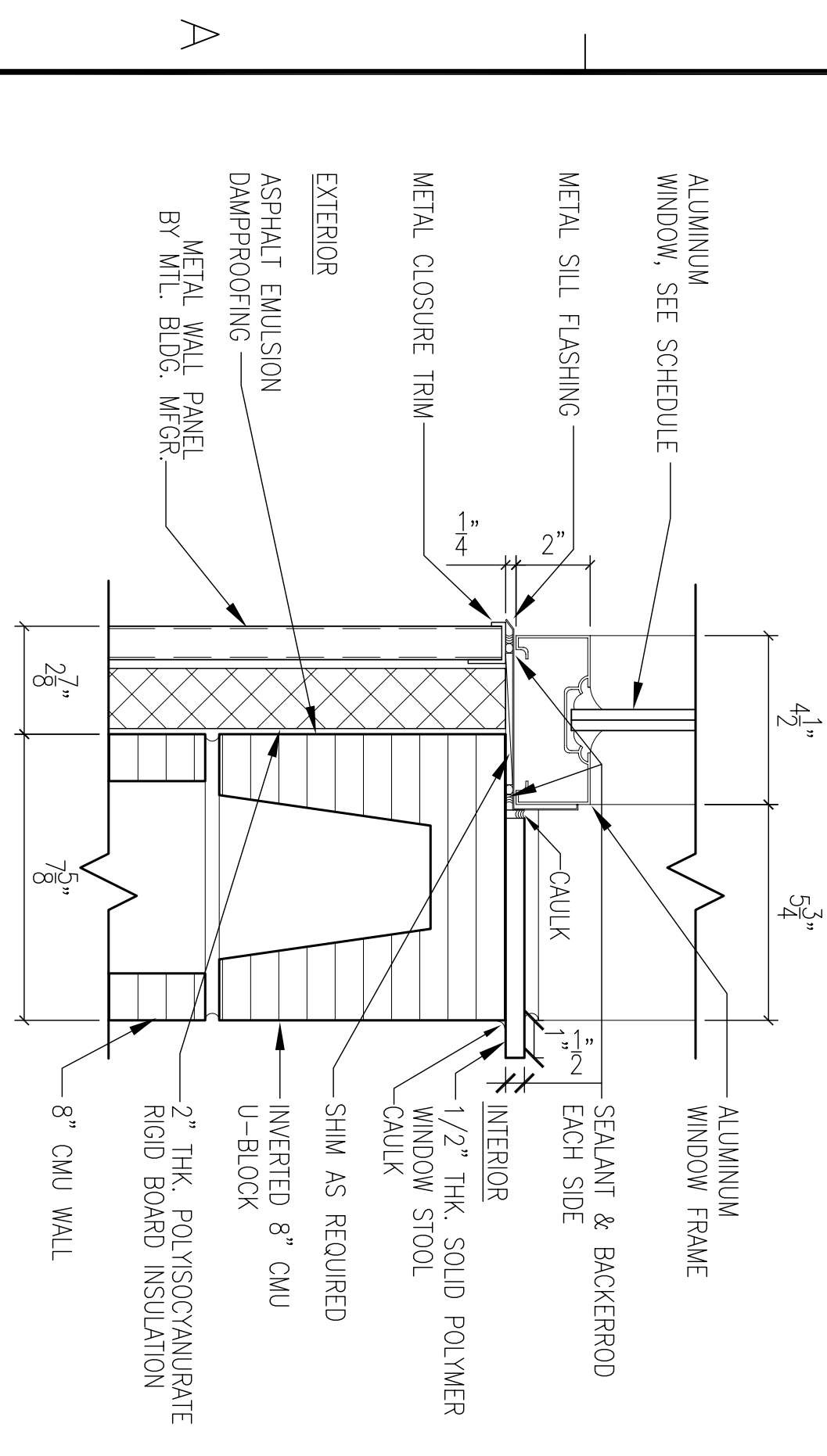


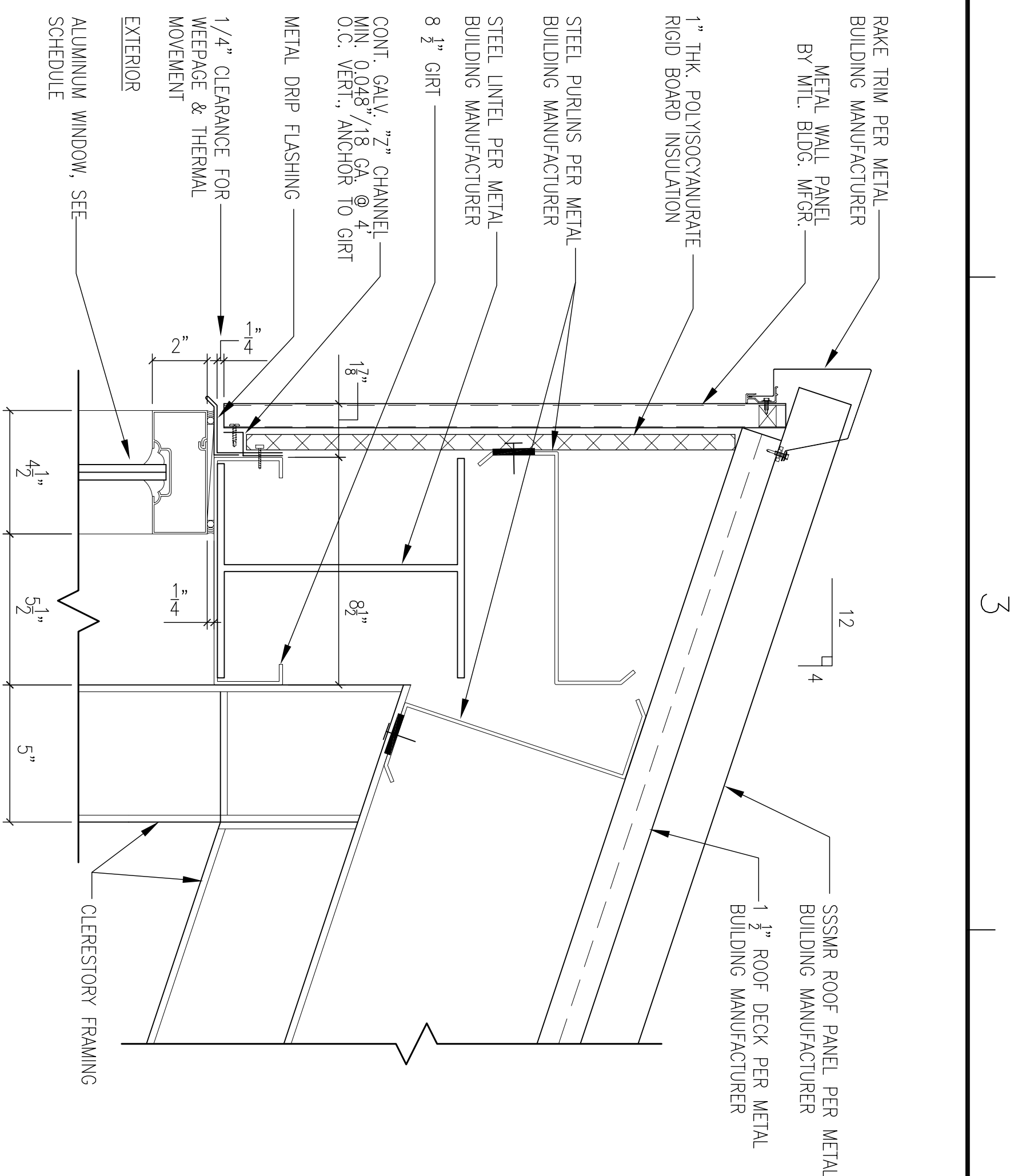
20
2ND FLOOR EXTERIOR WINDOW HEAD DETAIL
SCALE: 3" = 1'-0"
A1.18



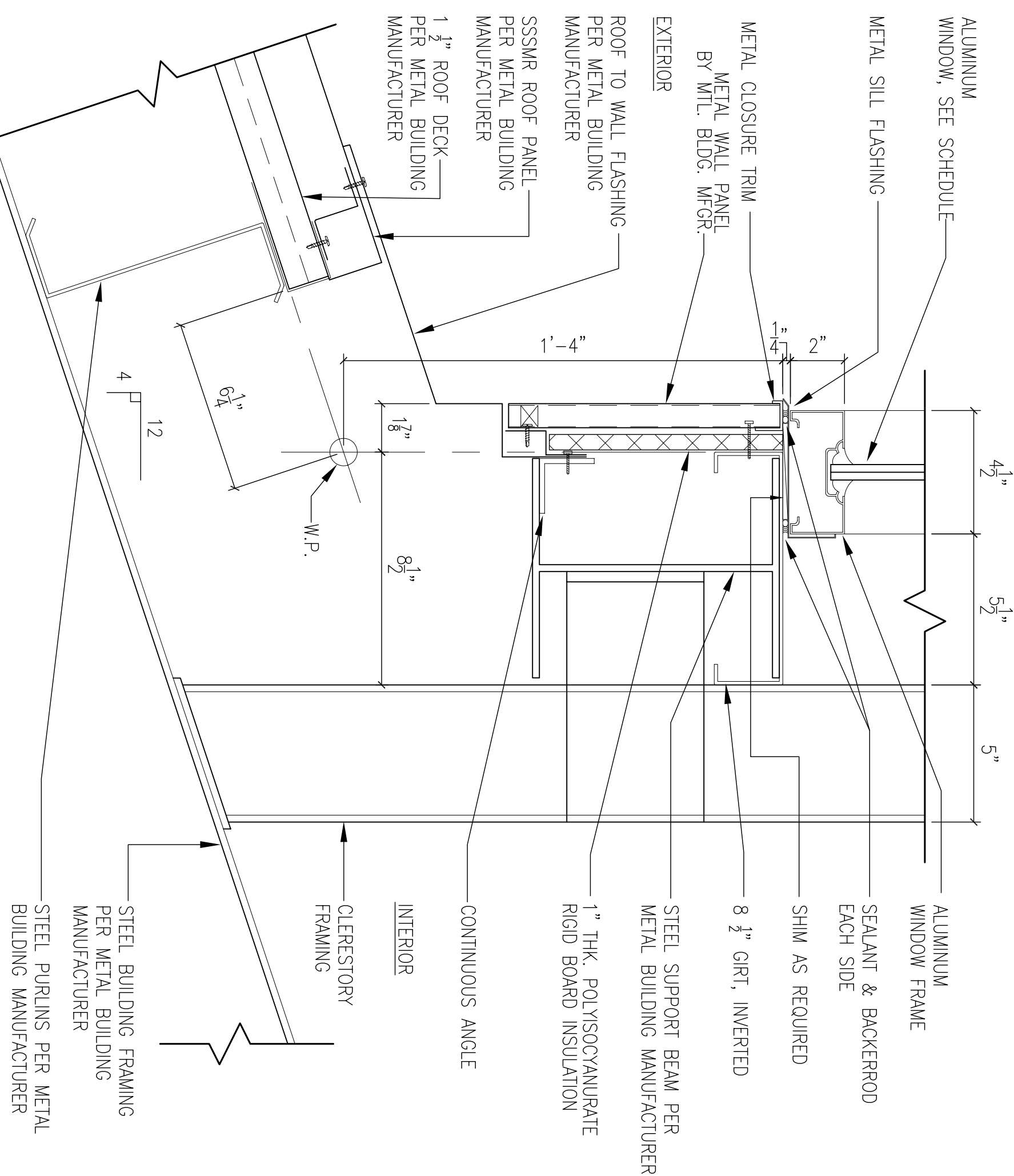
21
2ND FLOOR EXTERIOR WINDOW JAMB DETAIL
SCALE: 3" = 1'-0"
A1.18



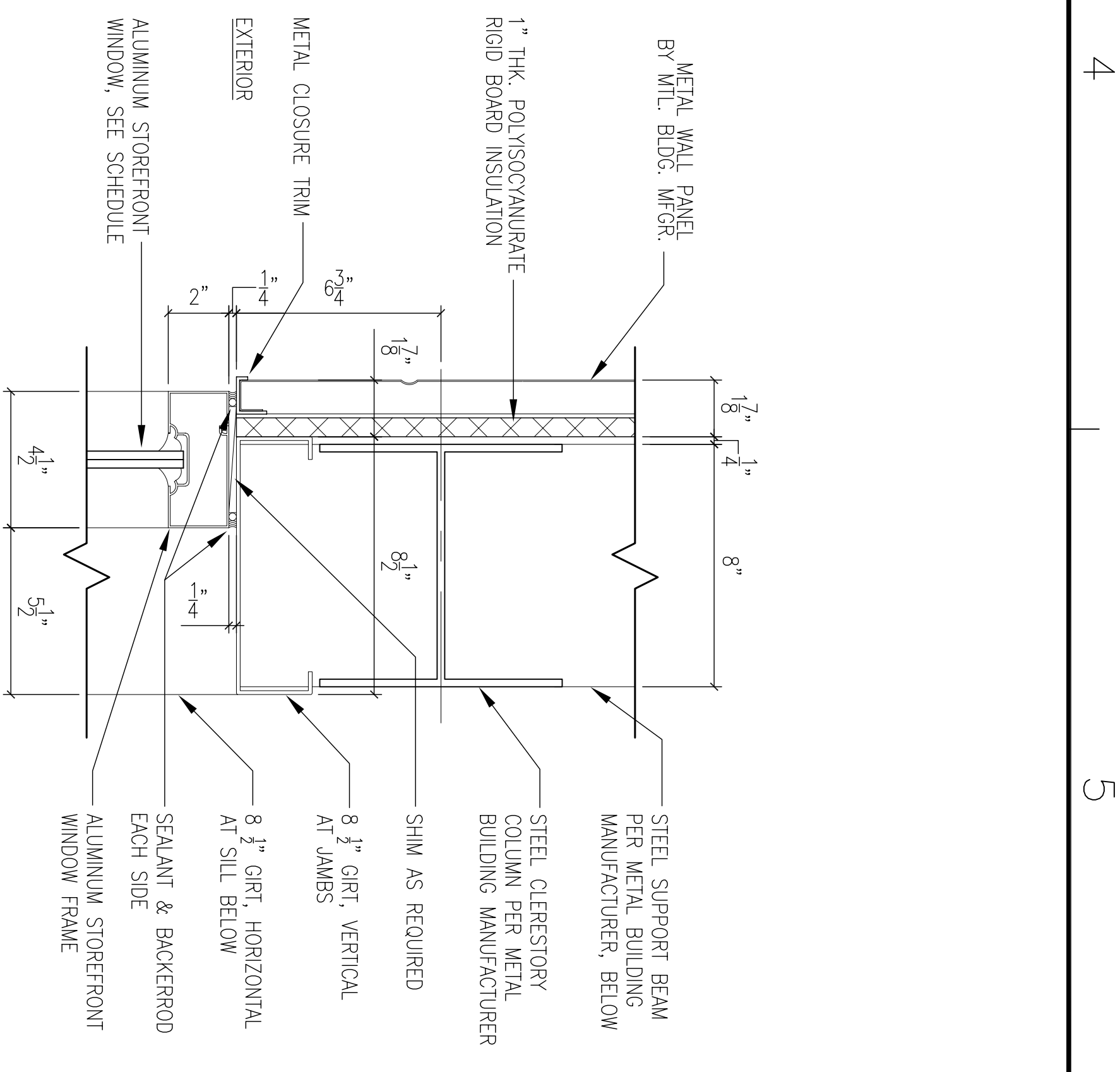
22
2ND FLOOR EXTERIOR WINDOW SILL DETAIL
SCALE: 3" = 1'-0"
A1.18



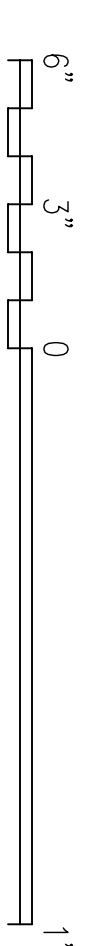
23
2ND FLOOR CLERESTORY EXTERIOR WINDOW HEAD DETAIL
SCALE: 3" = 1'-0"
A1.18



25
2ND FLOOR CLERESTORY EXTERIOR WINDOW SILL DETAIL
SCALE: 3" = 1'-0"
A1.18



24
2ND FLOOR CLERESTORY EXTERIOR WINDOW JAMB DETAIL
SCALE: 3" = 1'-0"
A1.18



<p>DEPARTMENT OF THE NAVY NAVAL FACILITIES ENGINEERING COMMAND SOUTHEAST IPT GULF COAST</p> <p>JOHN C. STENNIS SPACE CENTER MISSISSIPPI SOF RIVERINE AND COMBATANT CRAFT OPERATIONS FACILITY - PRE-FINAL</p> <p>BLDG. 2440/2441 DOOR DETAILS</p>	<p>NAVAL FACILITIES ENGINEERING COMMAND SOUTHEAST NAVAL AIR STATION JACKSONVILLE</p> <p>DESIGNED BY: R. WITSE CHECKED BY: T. ARBIB CHIEF ENGINEER: P. DAMMON</p>	<p>EMMETT B. DAMMON REGISTERED PROFESSIONAL ENGINEER STATE OF MISSISSIPPI LICENSE NO. 9862</p>	<p>DAMMON ENGINEERING, INC. REGISTERED PROFESSIONAL ENGINEER STATE OF LOUISIANA LICENSE NO. 44578 SIBOLLA, LA 70082 (985) 649-5312 www.dammoneng.com</p>	<p>NAVFAC</p>	<table border="1"> <thead> <tr> <th>SYM</th> <th>DESCRIPTION</th> <th>DATE</th> <th>APPR</th> </tr> </thead> <tbody> <tr> <td> </td> <td> </td> <td> </td> <td> </td> </tr> <tr> <td> </td> <td> </td> <td> </td> <td> </td> </tr> <tr> <td> </td> <td> </td> <td> </td> <td> </td> </tr> </tbody> </table>	SYM	DESCRIPTION	DATE	APPR												
SYM	DESCRIPTION	DATE	APPR																		

DRAWING REVISION: 01 JAN 2009
 A1.22
 SHEET 52 OF 132